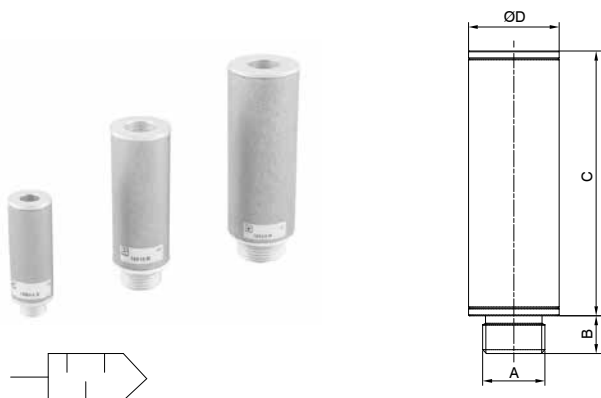


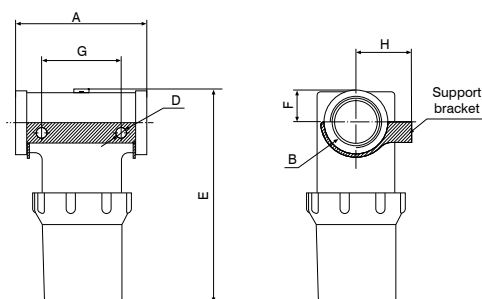
**High efficiency silencers**



Code	Description	A	B	C	ØD	Weight (g)
19S18.S	Silencer G1/8	G1/8	6	30	16	10
19S14.S	Silencer G1/4	G1/4	8	50	20	21
19S38.S	Silencer G3/8	G3/8	10	70	24	35
19S12.R	Silencer G1/2 reduced	G1/2	12	70	29	46
19S12.S	Silencer G1/2	G1/2	12	90	35	83
19S34.R	Silencer G3/4 reduced	G3/4	12	90	35	86
19S34.S	Silencer G3/4	G3/4	12	110	50	144
19S10.R	Silencer G1 reduced	G1	14	110	50	144

The use of sound-absorbing material enclosed in appropriate aluminium containers made it possible to create this range of silencers which significantly lower air noise in the vacuum generator discharge stage.  
Noise reduction: from -13 to -20 dBA  
Working temperature: from -20 to +100 °C

**Vertical filters**



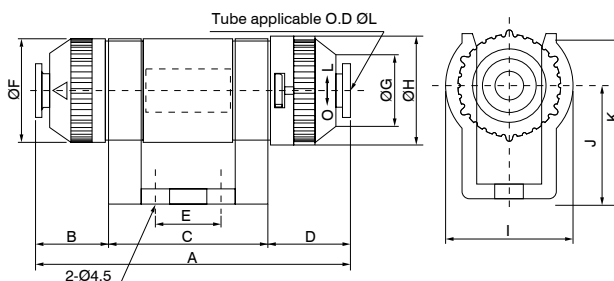
Code	Description	Flow rate (l/min)	Volume (cm³)	A	B	D	E	F	G	Weight (g)
19F38.V.00	Filter G3/8"	150	45	76	2-G3/8	2 - Ø6.5	71.3	14	45	70
19F12.V.00	Filter G1/2"	900	195	91	2-G1/2	2 - Ø8.5	131.5	16	50	168
19F34.V.00	Filter G3/4"	900	205	91	2-G3/4	2 - Ø8.5	139	18.5	50	170
19F10.V.00	Filter G1"	2520	495	126	2-G1	2 - Ø10.5	167	23	80	424

**Filter elements**

Code	Description
RK1900/0022	Filter element for 19F38.V.00
RK1900/0023	Filter element for 19F12.V.00 and 19F34.V.00
RK1900/0024	Filter element for 19F10.V.00

Preventing contaminants from reaching the vacuum generator is critical for maintaining its proper operation. Filters of this series have this function, manufactured in a simple way, have threaded connections for installation and a bowl that can be easily taken off to allow fast cleaning of the internal filter cartridge.  
The various models of filter cover a flow rate range running from 150 to 2520 l/m, degree of filtration: 10 micron, working temperature: -20 / 80 °C, working pressure: -100 / 0 kPa.

**Line filters**



Code	Description	A	B	C	D	E	ØF	ØG	ØH	I	J	K	ØL	Weight (g)
19F04.L.01	Tube Ø4 - 20 l/min	53,2	9,1	30	14,1	10	18	11,6	19,5	23	20	29	4	14
19F06.L.01	Tube Ø6 - 20 l/min	53,2	9,1	30	14,1	10	18	11,6	19,5	23	20	29	6	13
19F06.L.02	Tube Ø6 - 50 l/min	67	15,5	34	17,5	14	22	15,6	23,1	27	24	35	6	26
19F08.L.02	Tube Ø8 - 50 l/min	67	15,5	34	17,5	14	22	15,6	23,1	27	24	35	8	24

**Filter elements**

Code	Description
RK1900/0020	Filter element for 19F04.L.01 and 19F06.L.01
RK1900/0021	Filter element for 19F06.L.02 and 19F08.L.02

Line filters can handle very fine powders and contaminants without interfering with the intake flow rate. Thanks to the small dimensions they can be installed directly on the suction cups or on the vacuum pipework, and since they have automatic connections, wiring operations are facilitated.  
Degree of filtration: 10 micron, working temperature: 0-60 °C, working pressure: -100 / 0 kPa.