

# PRESA DI FORZA CON INNESTO A DEPRESSIONE VACUUM CLUTCH POWER TAKE-OFF

**CODICE PTO**  
PTO CODE

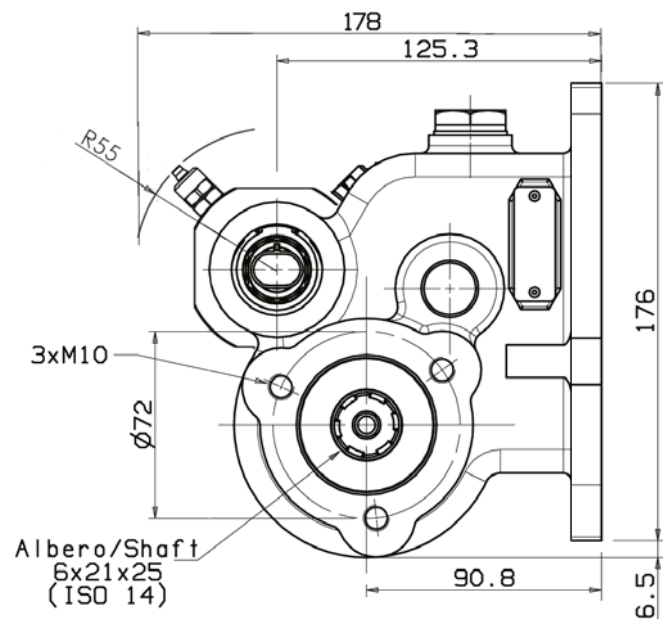
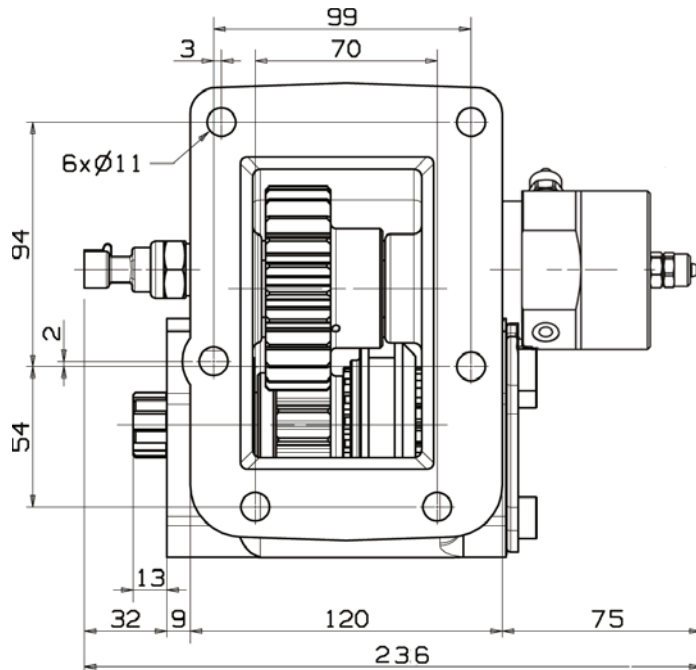
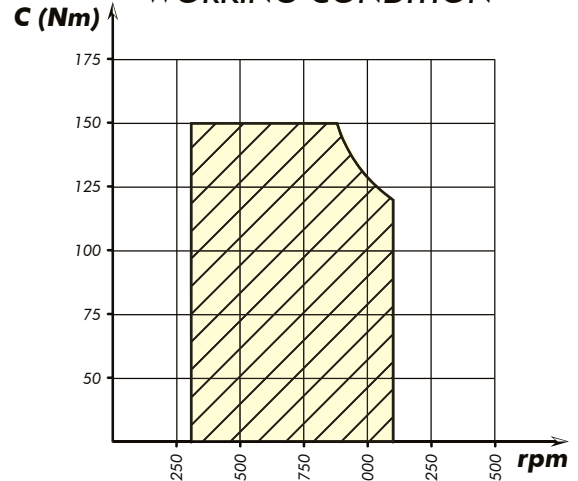
**68-378**

**CAMBIO**  
GEARBOX

**MITSUBISHI**



## DIAGRAMMA DI UTILIZZO WORKING CONDITION



Tipo cambio Gearbox	Codice PTO PTO code	Versione Version	Giri pto a 1000 giri motore Pto ratio@1000 eng.rpm	Coppia massima Max torque	Lato montaggio Mounting side	Uscita Output	Rotazione Rotation	Kit di montaggio Mounting kit	Peso Weight
M2-S5/5,494 M2-S5/5,886 M3-S5/5,181	68-378-137	13	rpm	Nm					
			492	150	Sx Left	Post. Rear	Ant. Acw	154-3-3124	10,1
			522						

pag.1

**OMFB**  
HYDRAULIC COMPONENTS

O.M.F.B. S.p.A. Hydraulic Components  
We reserve the right to make any changes without notice.  
Edition 2007.05 No reproduction, however partial, is permitted.  
Via Cave, 7/9 25050 Provaglio d'Iseo (Brescia) Italy Tel.: +39.030.9830611  
Fax: +39.030.9839207-208 Internet:www.omfb.it e-mail:info@omfb.it

COMPANY WITH  
QUALITY SYSTEM  
CERTIFIED BY DNV GL  
= ISO 9001 =