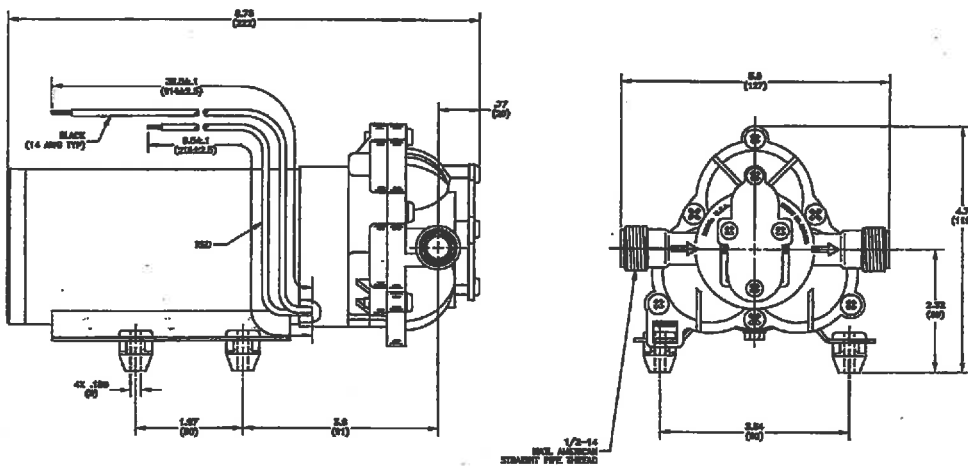


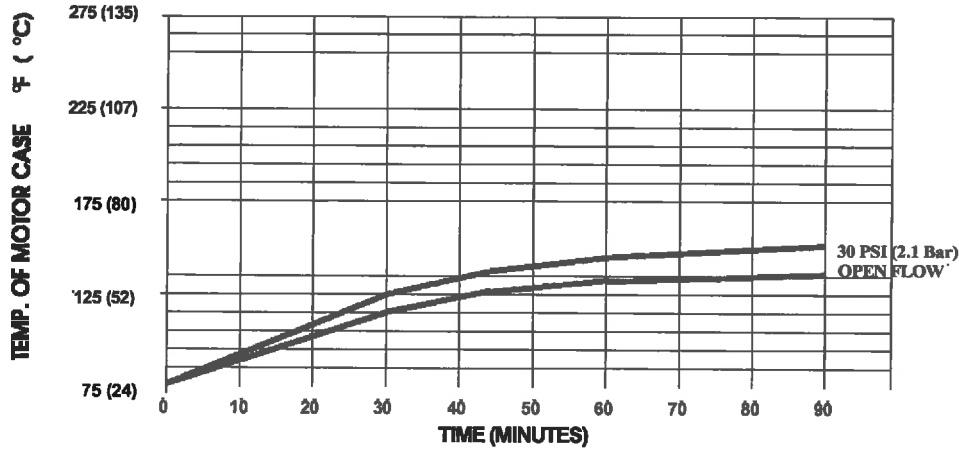
**SPECIFICATIONS:**

**MODEL NUMBER:** 2088-5713-515  
**PUMP DESIGN:** Positive Displacement 3 Chamber Diaphragm Pump  
**CAM:** 3.0 Degree  
**MOTOR:** Permanent Magnet, Thermally Protected, O-Ring seal/water resistant  
**VOLTAGE:** 12 VDC Nominal  
**PRESSURE SWITCH:** None  
**LIQUID TEMPERATURE:** 130 Degrees Fahrenheit (54 Degrees Centigrade) Max.  
**PRIME:** Self-Priming Up To 10.0 Feet (3.05 Meters) Vertical,  
 Max. Inlet Pressure 30 PSI (2.1 Bar)  
**PORTS:** 1/2" - 14 Male Parallel Thread  
**MATERIAL OF CONSTRUCTION:**  
**PLASTICS-**Polypropylene  
**VALVES-** EPDM  
**DIAPHRAGM-** Santoprene  
**FASTENERS-** Stainless Steel  
**NET WEIGHT:** 4.1 Lbs (1,9 Kg)  
**DUTY CYCLE:** Continuous at 30PSI (70F°/21C°)  
**BYPASS:** 60 PSI Max.(4,1 Bar)

**DIMENSIONS:**

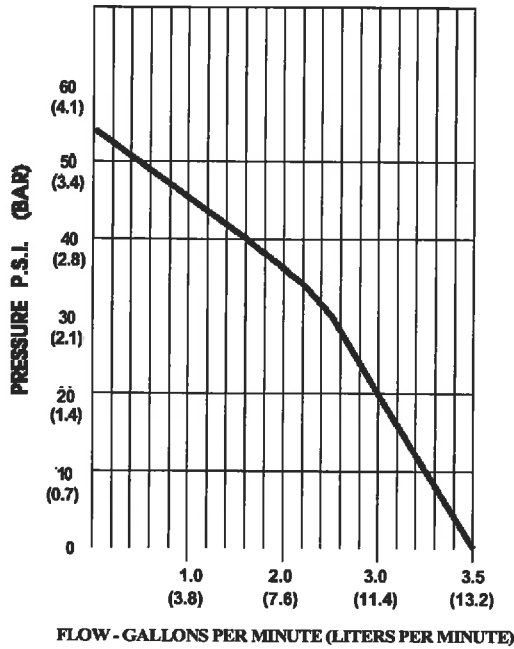


**TEMPERATURE RISE**



THIS GRAPH IS FOR USE AS A DESIGN GUIDE. IT IS BASED ON RUNNING CONTINUOUSLY WITH AN AMBIENT TEMPERATURE OF 75°F IN STILL AIR. THE THERMAL BREAKER WILL OPEN WHEN THE CASE TEMPERATURE REACHES 290°F.

**TYPICAL PERFORMANCE**



PRESSURE (PSI)	FLOW (GPM/LIT)	RPM MIN/MAX	CURRENT (AMPS)	VOLTAGE (VOLTS)
OPEN	3.5/13.2	2600/2640	5.5	12 VDC
10	3.5/12.9	2580/2615	8.0	"
20	3.2/12.1	2480/2530	9.5	"
30	2.3/8.7	2425/2480	11.0	"
40	1.6/6.1	2390/2410	11.6	"
50	0.6/2.3	2350/2380	13.0	"

-SPECIFICATION SUBJECT TO CHANGE WITHOUT NOTICE.  
 -ALL DATA BASED ON TESTING WITH WATER.