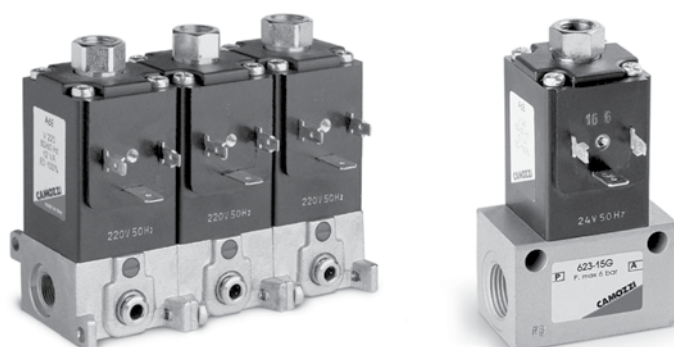


Directly operated solenoid valves Series 6

2

2/2 - way, 3/2 - way, N.C. and N.O.
Ports G1/8 and G3/8, cartridge \varnothing 4



The bodies of these valves are designed for use either individually or in manifolds. The latter are provided with G1/8 threaded ports or an inbuilt dia. 4 cartridge (and G3/8 for 2 way).

The Series 6 solenoid valves, in the N.C. and N.O. versions, have been designed with 2/2 and 3/2 ways operations. These solenoid valves are of the directly operated type and may be used equally well either with or without lubrication.

GENERAL DATA

Construction	poppet type
Valve functions	2/2 - 3/2 way N.C. or N.O.
Materials	body AL/brass - other stainless steel NBR seals
Mounting	in any position
Operating temperature	0 + 80°C (with dry air - 20°C)
Operating pressure	see tables
Nominal flow rate	Qn (see tables)
Nominal diameter	\varnothing (see tables)
Fluid	filtered air, without lubrication. If lubricated air is used, it is recommended to use ISOVG32 oil. The lubrication should never be interrupted.
Voltage	AC standard: 24V, 50/60Hz 110V - 50/60Hz 230V - 50/60Hz DC standard: 24V
Voltage tolerances	AC + 10% -15% DC \pm 10%
Power consumption	AC at inrush = 19 VA, during operation = 12 VA DC 10 W
Duty cycle	ED 100%
Class of insulation	class H
Connector	Mod. 124-800
Protection class	IP65 with connector DIN 43650/PG9

CODING EXAMPLE

6	3	8	M	-	105	-	A	6	B
----------	----------	----------	----------	----------	------------	----------	----------	----------	----------

6	SERIES:
3	N° OF PORTS AND FUNCTIONS: 0 = interface 1 = 2 ways N.O. 2 = 2 ways N.C. 3 = 3 ways N.C. 4 = 3 ways N.O.
8	CONNECTION: 0 = interface 3 = G3/8 8 = G1/8 C = cartridge Ø 4
M	M = manifold
105	TYPE OF DESIGN OF BASE: 150 = threaded body; 450 = base with rotatable interface 457 = base with fixed interface; 101 = single manifold 102 = 2 - part manifold 103 = 3 - part manifold 104 = 4 - part manifold 105 = 5 - part manifold 106 = 6 - part manifold 107 = 7 - part manifold 108 = 8 - part manifold 109 = 9 - part manifold 110 = 10 - part manifold 111 = 11 - part manifold 112 = 12 - part manifold 113 = 13 - part manifold 114 = 14 - part manifold 115 = 15 - part manifold
A	COIL MATERIAL: A = PPS
6	SOLENOID DIMENSIONS: 6 = 32x32
B	SOLENOID VOLTAGE: B = 24V 50/60Hz C = 48V 50/60 Hz D = 110V 50/60 Hz E = 230V 50/60 Hz 2 = 12V DC 3 = 24V DC 4 = 48V DC 6 = 110V DC

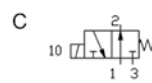
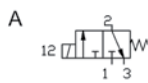
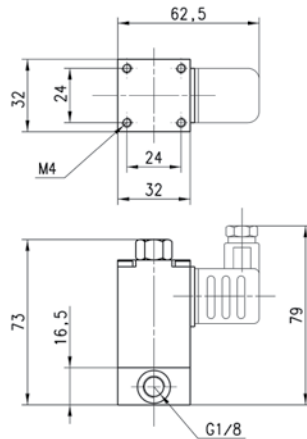
G1/8 3/2-way solenoid valve Mod. 638 and Mod. 648

The G1/8 N.C. (closed) or N.O. (open) 3/2-way solenoid valves are particularly suitable for operating single-acting cylinders or for use as signal valves.



*See voltage coding.

Only for model 648-150-A6* with solenoid type:
A6B
A6C
A6D
A6E
Max operating pressure 6 bar.



Mod.	Ports	Function	Orifice Ø min	Qn (NI/min)	Pressure min-max bar DC	Pressure min-max bar AC	Symbol
638-150-A6*	G1/8	N.C.	2	130	0 + 10	-	A
648-150-A6*	G1/8	N.O.	2	80	0 + 8	0 + 6	C

3/2 -way solenoid valve Mod. 638M and Mod. 63CM

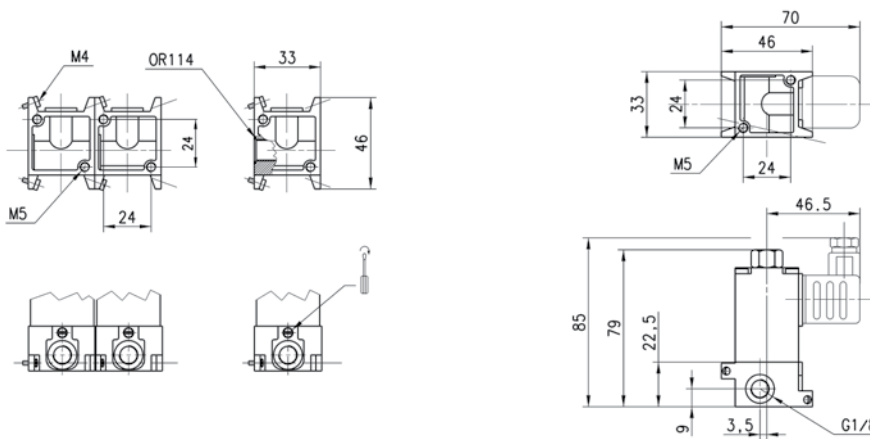
The N.C. (closed) 3/2-way solenoid valve for manifold assembly is available with G1/8 inlet ports and with G1/8 outlets or with a dia. 4 cartridge.



These solenoid valves are equipped with a manual override.

The body is supplied complete with screws and O-ring.

*See voltage coding.

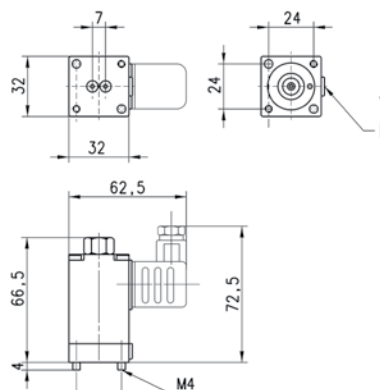


Mod.	Inlet/outlet	Function	Orifice Ø min	Qn (NI/min)	Pressure min-max bar
638M-101-A6*	G1/8 G1/8	N.C.	2	120	0 + 10
63CM-101-A6*	G1/8 / O4	N.C.	2	108	0 + 10

3/2-way solenoid valve Mod. 600



The N.C. (closed) 3/2-way solenoid valve is available with a rotatable or a fixed interface. These solenoid valves are equipped with an override.



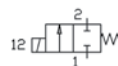
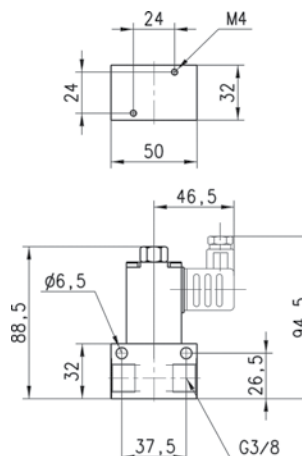
* see voltage coding

Mod.	Interface	Function	Orifice Ø min	Qn (NI/min)	Pressure min-max bar
600-450-A6*	Rotatable	N.C.	2	106	0 + 10
600-457-A6*	Fixed	N.C.	2	106	0 + 10

2/2-way solenoid valves Mod. 623



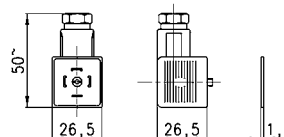
The 2/2-way solenoid valves with G3/8 ports are available with different orifices.



Note: the maximum pressures indicated in the table refer to 50 Hz.

Mod.	Ports	Function	Orifice Ø min	Qn (NI/min)	Pressure min-max bar
623-15E-A60	G3/8	N.C.	2,5	230	0 + 15
623-15F-A60	G3/8	N.C.	3	333	0 + 14
623-15G-A60	G3/8	N.C.	4	520	0 + 6

Connector Mod. 124-800 IP65 DIN 43650 (PG9)



Mod.
124-800