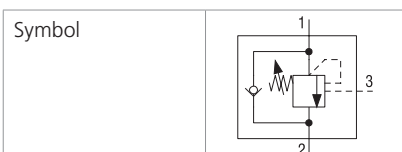

**Technical Features**

- › The valve prevents runaway ahead of the pump in the event of a negative load
- › Load-holding with leak-free closing poppet when the directional valve is in neutral position
- › Pressure relief function protecting the actuator against overload and pressure peaks
- › Integrated check valve acting as an anti-cavitation valve
- › When installed into an actuator the valve can be used as a hose burst valve
- › In the standard version, the valve is zinc-coated for 240 h protection acc. to ISO 9227

**Functional Description**

Poppet type, screw-in motion control valve designed to control the runaway of a negative load. The built-in check valve allows reverse flow into the actuator, which is protected by the internal pressure relief function.


**Technical Data**

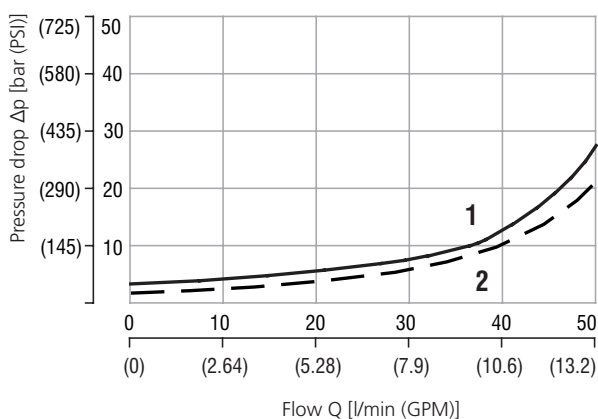
Valve size / Cartridge cavity		M20x1.5 / Q3
Max. flow	l/min (GPM)	30 (7.9)
Max. load induced pressure	bar (PSI)	270 (3920)
Max. relief pressure	bar (PSI)	350 (5080)
Fluid temperature range	°C (°F)	-20 ... +90 (-4 ... +194)
Pilot ratio		2.5:1, 5:1, 10:1
Internal Leakage	mil/min	0.3 nominal (5 drops per min)
Max. degree of fluid contamination	ISO 4406	Class 21/18/13
Mass	kg (lbs)	0.15 (0.33)

		Datasheet	Type
General information		GI_0060	Products and operating conditions
Valve bodies	In-line mounted	SB_0018	SB-Q3*
	Sandwich mounted	SB-04(06)_0028	SB-*Q3*
Cavity details		SMT_0019	SMT-Q3*
Spare parts		SP_8010	

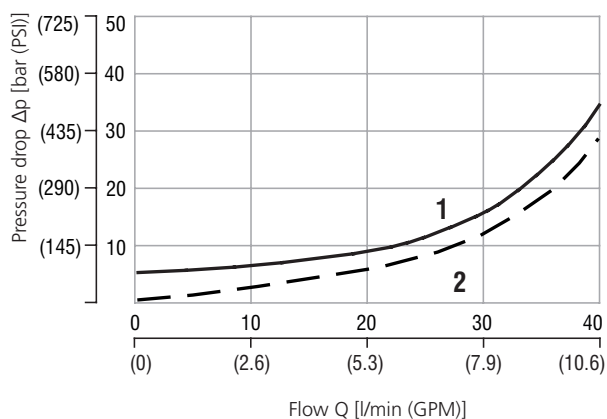
**Characteristics** measured at  $v = 40 \text{ mm}^2/\text{s}$  (195 SUS)

**Pressure drop related to flow rate**

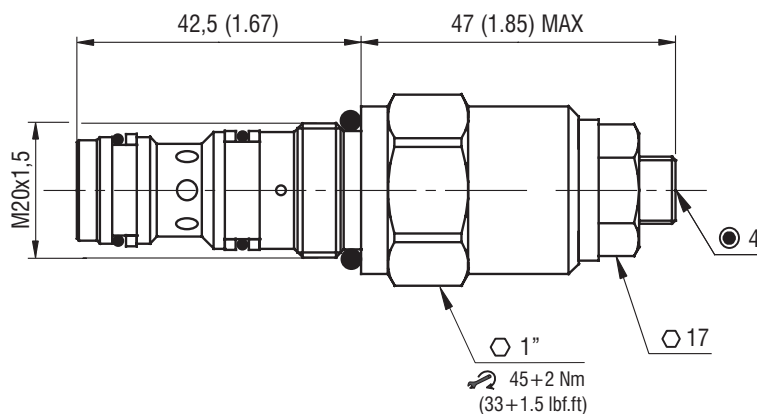
Pilot ratio 2.5 : 1 and 5 : 1


**Pressure drop related to flow rate**

Pilot ratio 10 : 1



**Dimensions** in millimeters (inches)



**Ordering Code**

**SO5A-Q3 / I**  -   -  -

**Overcentre valve**

M20x1.5

**Factory setting** [bar @ l/min]  
210/4,8

**Pilot ratio**

2.5:1	2
5:1	5
10:1	10

standard

**Surface treatment**  
A zinc-coated (ZnCr-3), ISO 9227 (240 h)

**Relief pressure range**

100 - 350 bar (1450 - 5080 PSI)	2.5:1, 5:1
120 - 350 bar (1740 - 5080 PSI)	10:1

35

**No designation**  
V

**Seals**  
NBR  
FPM (Viton)