

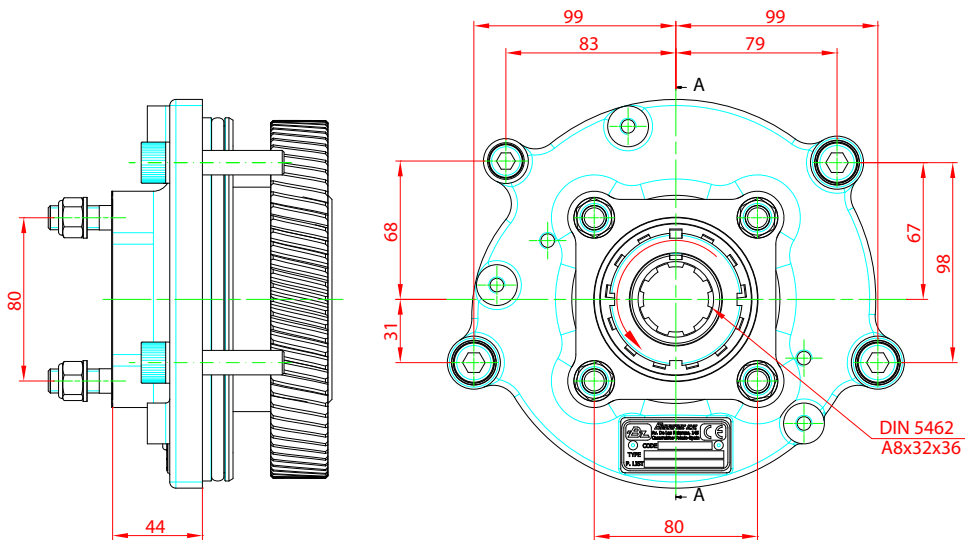
Adaptador a Motor Volvo D13, D16 Engine Adapter Volvo D13, D16



Descripción Description

Kit adaptador a motores Volvo de la serie D13 y D16 para montar bombas ISO 4 taladros.

Adapter Kit for Volvo engines D13 and D16 series to connect ISO 4 bolts pumps.



Datos Principales Main Data

Par nominal Torque (Nm)	Continuo Continuous	450
	Intermitente Intermittent	550
Potencia 1000 r.p.m. Power 1000 r.p.m.		64 CV // 48 kW
Peso Weight (Kg)		12.5
Relación motor-bomba Engine to pto ratio		1: 1.26