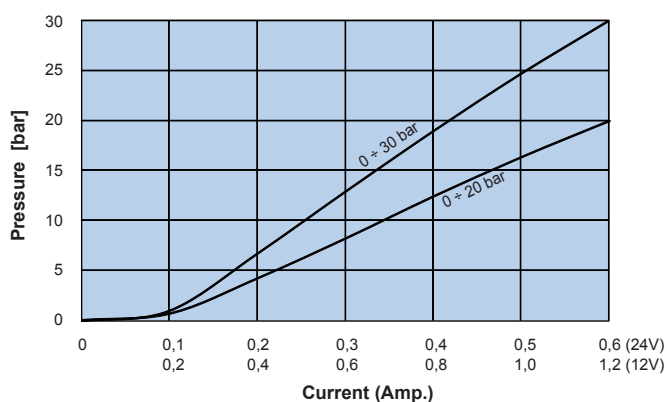
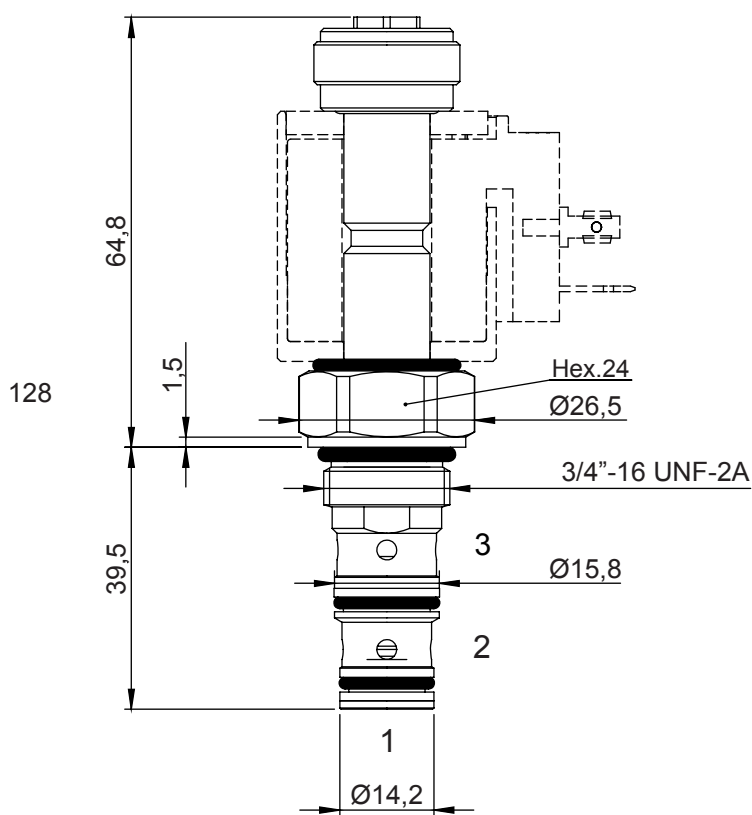
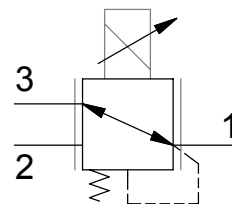


**PRESSURE REDUCING VALVE PROPORTIONAL ELECTRIC CONTROL**

- Flow ..... **4 l/min**
- Max working pressure in 2. .... **210 bar**
- Max working pressure in 1. .... **30 bar**
- Max working pressure in 3. .... **1 bar**
- Leakage ..... **150 cc/min**
- Cavity ..... **C320000**
- Max current at 12 Vcc ..... **1200mA**
- Max current at 24 Vcc ..... **600mA**
- PWM ..... **120 Hz**
- Hysteresis. .... **5%**
- Cartridge tightening torque ..... **30 Nm**
- Ring nut tightening torque ..... **5 Nm**
- Weight (with coil). .... **0,4 Kg**
- Coil **CT-9400** to be ordered separately



**Ordering code**

**0 1 7 2 2 [ ] 0 [ ] [ ] 0**

SETTING RANGE	0	1
Min - Max [bar]	0 ÷ 20	0 ÷ 30

