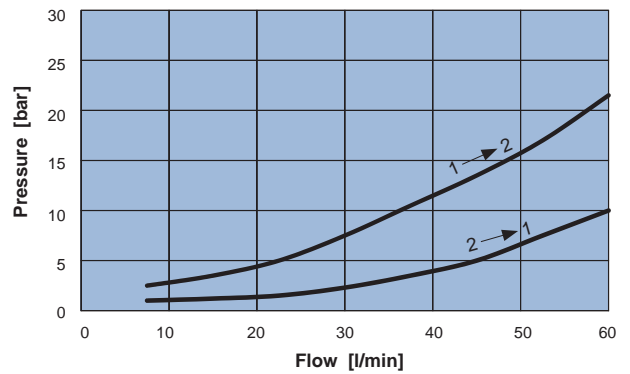
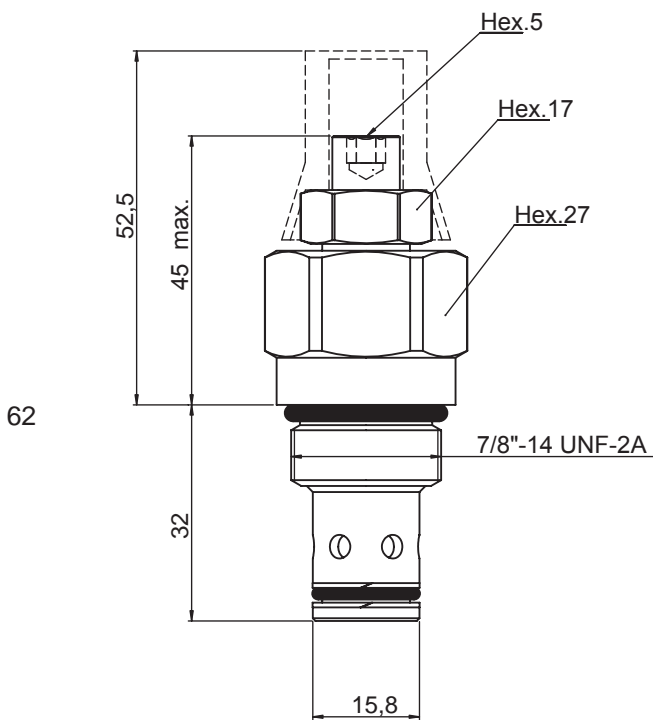
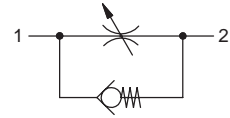


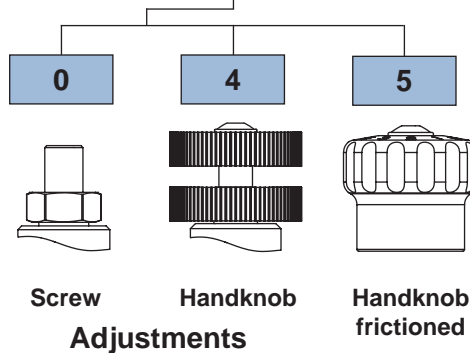
UNIDIRECTIONAL FLOW CONTROL VALVE

- Max Flow. **60 l/min**
- Max working pressure **350 bar**
- Cavity **C230000**
- Cartridge tightening torque. **50 Nm**
- Weight. **0,2 Kg**
- Tamper proof cap: **cod.4029250280**
- Adjustment range. **5 turns**



Ordering code

0 3 7 3 0 0 0 [] 0 1



Screw

Handknob

Handknob frictioned

Adjustments