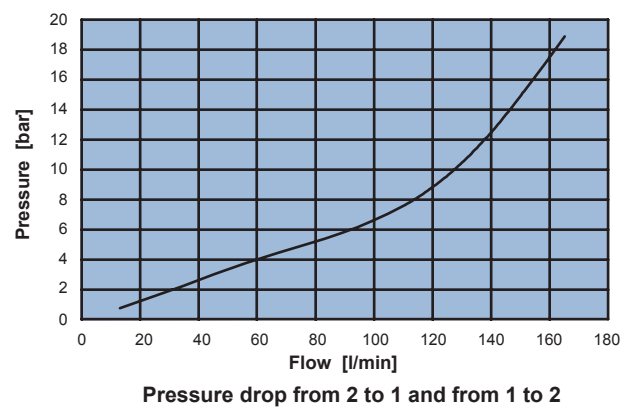
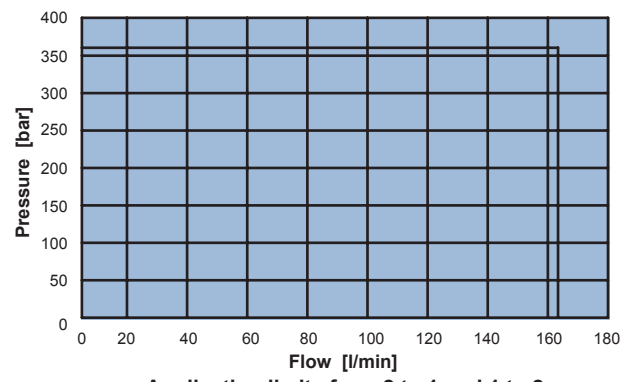
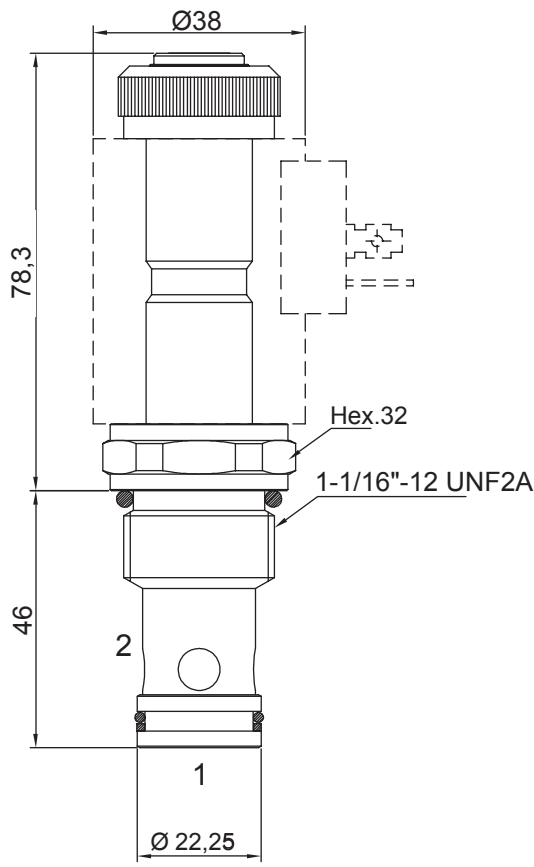
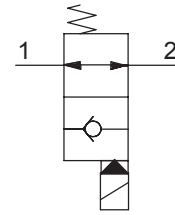


2 WAY 2 POSITION ELECTRIC POPPET VALVE, PILOT OPERATED NO

- Flow **150 l/min**
- Max working pressure **350 bar**
- Leakage **0,25 cc/min**
- Seals **NBR and PTFE**
- Cartridge tightening torque **50 Nm**
- Ring nut tightening torque **5 Nm**
- Weight (with coil) **0,58 Kg**
- Cavity **C240000** page 213
- Body **171402** page 196
- Coil (to be ordered separately) **09801** page 181



Ordering code

0 5 6 4 0 0 0 0 0 0

