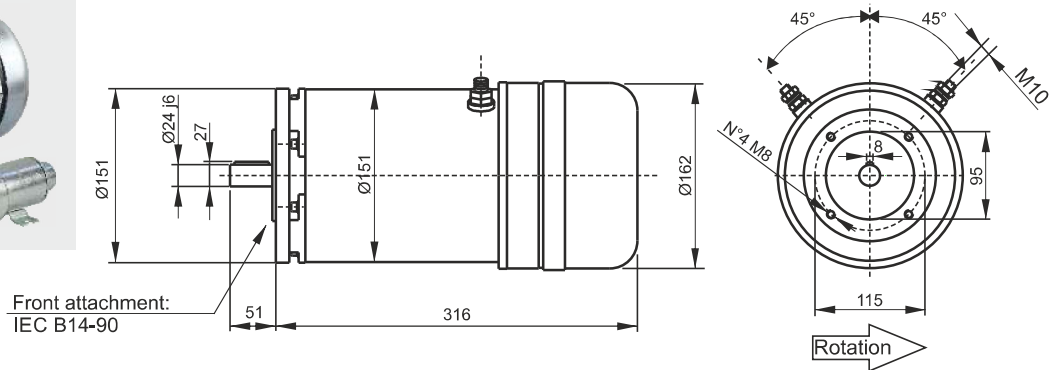


## HEAVY DUTY DC MOTORS Ø 151 WITH COOLING FAN



Series wound  
Protection degree: IP20  
Insulation class: F  
Weight: 21,5 kg



## Code

Description	Assembly code	Spare part code	Nominal duty cycle	Nominal speed	Nominal current	Mounting kit
2500W 12V DC motor + thermal protection & fan	<b>2,5HD 12DC_T</b>	<b>MB14C1ST25</b>	S2:16 min S3: 20%	1700 rpm	290 A	XB14 90-1
3000W 24V DC motor + thermal protection & fan	<b>3HD 24DC_T</b>	<b>MB14C2ST30</b>	S2: 16 min S3: 20%	1700 rpm	170 A	XB14 90-1
4000W 24V DC motor + thermal protection & fan	<b>4HD 24DC_T</b>	<b>MB14C2ST40</b>	S2: 10 min S3: 15%	2000 rpm	240A	XB14 90-1

## Mounting kit &amp; options

Description	Assembly code	Spare part code
12V DC 200 Amp start switch + mounting kit	<b>S200 12DC 125_151</b>	<b>M47ZC0001 + M47SK1251</b>
24V DC 200 Amp start switch + mounting kit	<b>S200 24DC 125_151</b>	<b>M47ZC0002 + M47SK1251</b>
Remote wired control with 2 buttons and 3m cable	<b>P0201</b> (single acting)	
Remote wired control with 4 buttons and 3m cable	<b>P0202</b> (double acting)	
Mounting kit for motors B14 IEC frame 90	<b>XB14 90-1</b>	<b>E36100003 + E36100000 + F27010003</b>

The mounting kit is already included when specifying the motor in PPC assembly code. When ordering spare motors, the mounting kit must be ordered separately.

For B14 motors the relay is not normally mounted on the motor.

## Other B14 DC motors for heavy duty or special applications

They are available in sizes  $\varnothing 125$ ,  $\varnothing 151$  or  $\varnothing 191$  in multiple executions, engineered to perform heavy duty cycles and tailor made to suit each specific application, with or without cooling fan and thermal protection. They are normally mounted on the central manifold with B14 standard mounting kits.

To properly select these motors, the following minimum information must be provided: 1) motor power and voltage, 2) application type, 3) duty factors: S2 [min] - continuous running time and S3 [%] - percentage of running time on total cycle time, 4) required motor speed, 5) quantity to be supplied.