

Digital gauge for general industrial applications Model DG-10

WIKA Data Sheet PE 81.66



Applications

- Mechanical engineering
- Hydraulics / Pneumatics
- Pumps / Compressors
- Service

Special Features

- Pressure ranges: from 0 ... 2 bar up to 0 ... 600 bar
- Display accuracy: 0,5 % ± 1 Digit
- Pressure connection: G1/4 DIN 3852-E, 1/4NPT and others
- Case: Stainless steel, Nominal size 80 mm
- Power supply: 2x 1,5 V Mignon cell AA



Digital gauge DG-10

Description

Robust, precise local display

The durable stainless steel housing and stand-alone battery power supply enable its flexible use across a range of applications and industries. For precise and fast pressure readings, a local digital display is the ideal solution. The bar graph indicator, integrated into the display, with its trailing pointer function, as well as a stored MIN/MAX peak value, enable the effective analysis of the measuring point.

Standard and Enhanced Models

For poor lighting conditions, an "enhanced" model (DG-10-E) with a back-lit display and a rotatable housing is available, allowing its optimisation to the local conditions. Additional configurable functions are: Auto Power-off, tare function, password protection. The standard design (DG-10-S) already allows the user to switch easily between the most widely-accepted international measurement units; bar, psi and MPa.

Proven measurement technology

Sensors manufactured by WIKA have, for decades, been a guarantee of high accuracy, long-term stability and repeatability within industrial pressure measurement. The most suitable sensor technology - metal thin-film or ceramic - is used, depending on each application and the measuring range.

Specifications

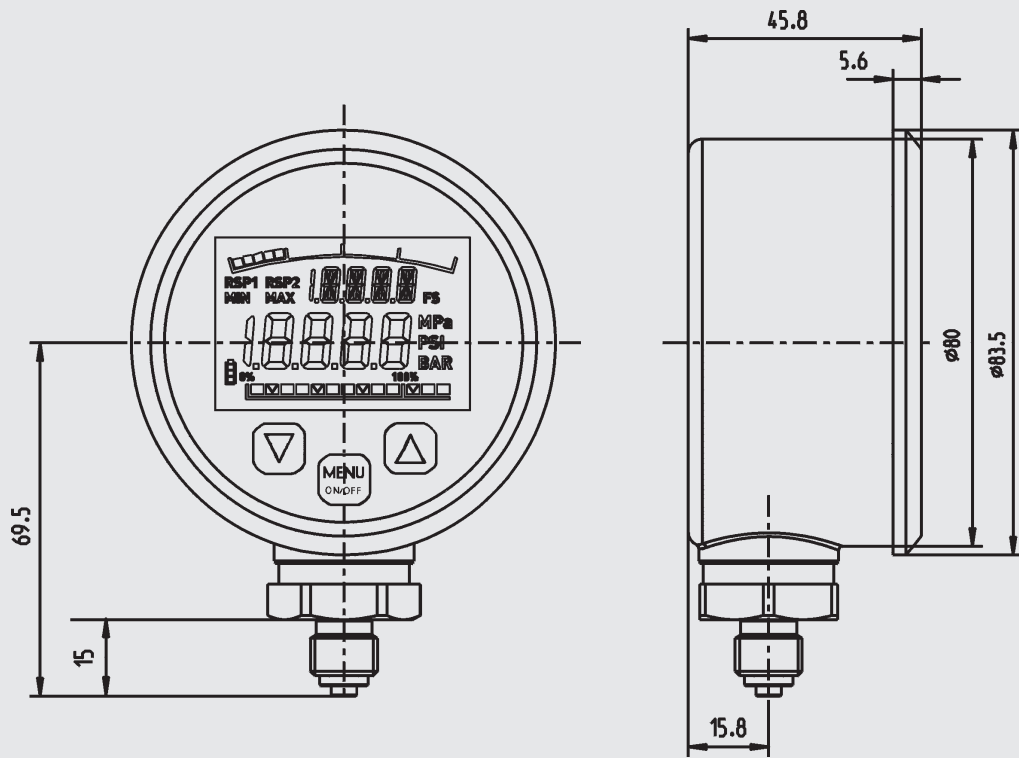
Model DG-10

Pressure ranges	bar	2	5	10	20	50	100
Over pressure safety	bar	5	10	20	40	100	200
Burst pressure	bar	6	12	25	50	120	800
Pressure ranges	bar	160	250	400	600		
Over pressure safety	bar	320	500	800	1200		
Burst pressure	bar	1000	1200	1700	2400		
Pressure ranges	psi	30	60	145	300	600	1450
Over pressure safety	psi	70	145	290	580	1450	2900
Berstdruck	psi	85	170	360	725	1740	11600
Pressure ranges	psi	2000	3000	5000	7500	10000	
Over pressure safety	psi	4640	7250	11600	17400	21750	
Berstdruck	psi	14500	17400	24650	34800	43500	
Materials							
■ Wetted parts							
» Pressure connection		1.4571					
» Pressure sensor		Ceramic Al ₂ O ₃ 96%, NBR {EPDM }		(up to 0 ... 50 bar)			
		XM-13 (1.4534)		(as of 0 ... 100bar)			
■ Case							
		1.4301					
Power supply		2x 1.5 V Mignon cell AA					
Operating time	h	4000 (AA 2000 mAh)					
Internal sampling rate	ms	200					
Insulation voltage	VDC	500					
Display accuracy	% of span	≤ ± 0.5 ± 1 Digit (according to IEC 61298-2)					
Zero Offset	% of span	≤ 0.1 (Power-up reset)					
Adjustability zero	% of span	≤ 20 (via Tara-Function with model DG-10-E)					
Hysteresis	% of span	≤ 0.1					
Non-repeatability	% of span	≤ 0.1					
Long-term stability per year	% of span	≤ 0.2					
Long-term drift	% of span	≤ 0.1					
Permissible temperature of							
■ Medium							
	°C	-20 ... +85 (up to 0 ... 50 bar)					
	°C	-30 ... +100 (as of 0 ... 100bar)					
■ Ambience							
	°C	-10 ... +60					
■ Storage							
	°C	-20 ... +70					
Operating temperature range	°C	0 ... +60					
Temperature coefficients within compensated temp range							
■ Mean TC of zero							
	% of span	≤ 0.15 / 10k					
■ Mean TC of span							
	% of span	≤ 0.15 / 10k					
CE-conformity							
■ Pressure equipment directive							
		97/23/EC					
■ EMC directive							
		89/336/EEC emission (class B) and immunity according to EN 61 326					
Rotatability of case	°	300 (with model DG-10-E)					
			DG-10-S			DG-10-E	
Principle		7 segment LCD 4 digit			7 segment LCD 4 1/2 digit		
					14 segment LCD 4 1/2 digit (2nd display)		
Digit size		11 mm			11 mm and 7 mm		
Display		-1999 ... 9999			-1999 ... 19999		
Background illumination		---			+		
Bar graph with trailing pointer function		+			+		
Min/Max memory		+			+		
Auto On/Off		---			15/30/60/120 min		
Tara adjustment		---			+		
Units bar, psi, MPa		+			+		
Password protection		---			+		
Reset factory setting		---			+		
Weight	g	Approx. 400					

{ } Items in curved brackets are optional extras for additional price.

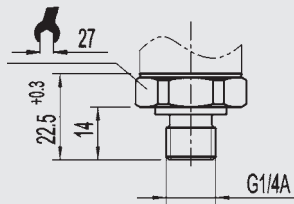
Dimensions in mm

Ingress protection IP 65 per IEC 60529.

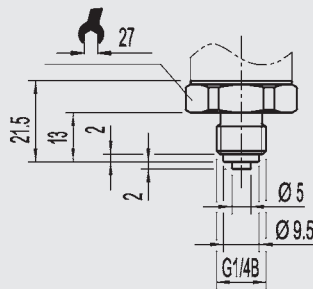


Pressure connections

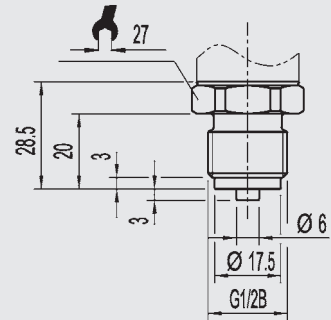
G 1/4
DIN 3852-E
with sealing
NBR, EPDM or FKM
Over pressure safety max. 600 bar



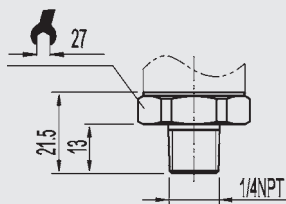
G 1/4
EN 837



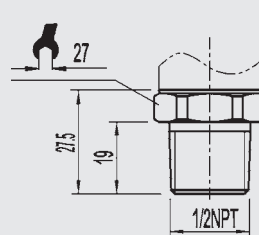
G 1/2
EN 837



1/4 NPT



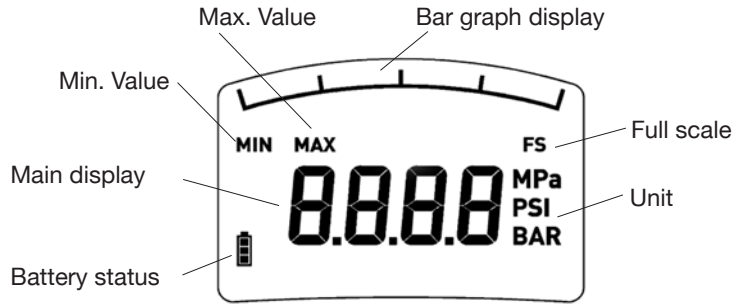
1/2 NPT



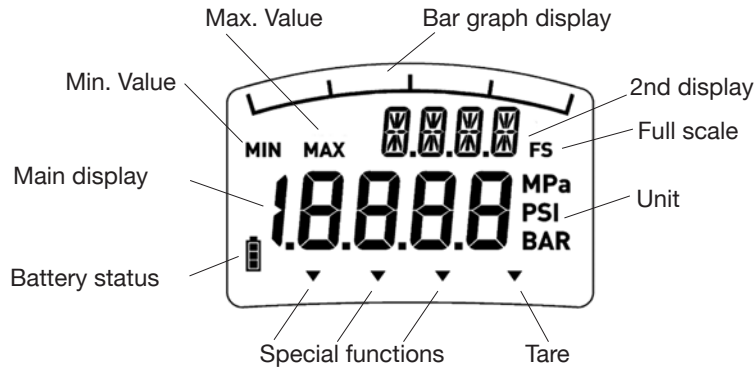
For tapped holes and welding sockets please see Technical Information IN 00.14 for download at www.wika.de

Description of the Display

DG-10-S



DG-10-E



Accessories

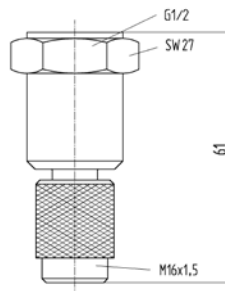
Protection cap (black, vulcanised rubber)

Order code: 11262010



Gauge adapter system Minimes

Order code: 9072314



Specifications and dimensions given in this leaflet represent the state of engineering at the time of printing. Modifications may take place and materials specified may be replaced by others without prior notice.

