

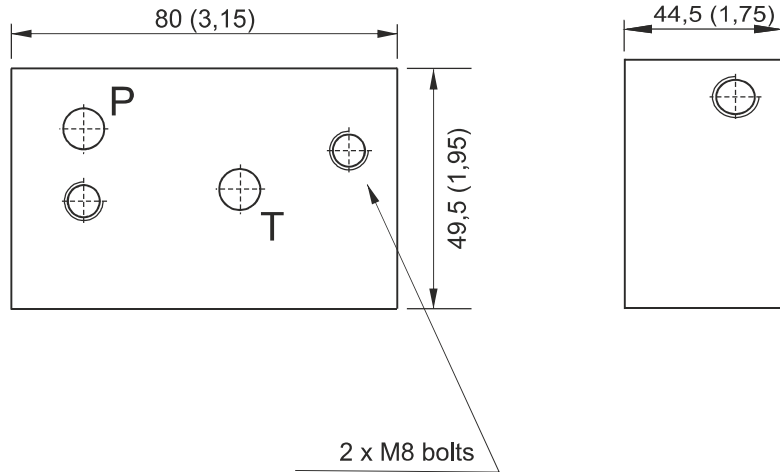
SECTION F



90° ROTATION MANIFOLDS 49MM

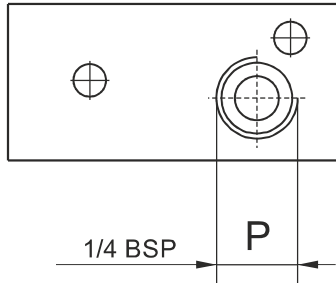


Dimensions in mm (inches)

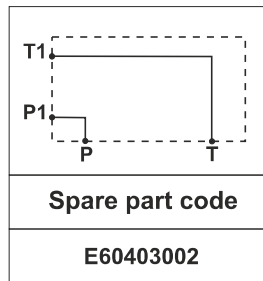
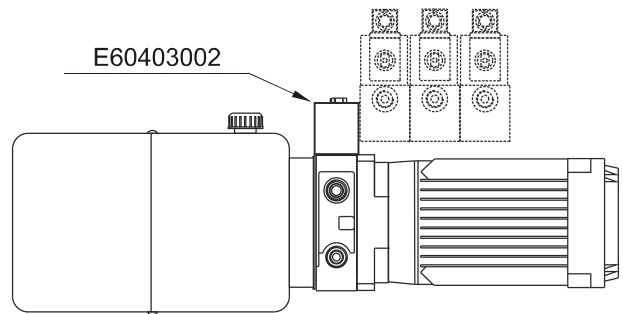


Main features

Max pressure	350 bar
Weight	0,72 Kg (1,59lb)
Fixing bolts	2 M8 tie - rods steel class 8.8 or above



Mounting example



Note: Recommended tightening torque for M8 bolts: 16 Nm. Attention! Do not use tie-rods less than 8.8. With AC motor frames bigger than 90 and DC motors bigger than dia. 151, always add a spacer manifold (see E60403004 code in F section) below the modular block to avoid interference between the valve and the motor.