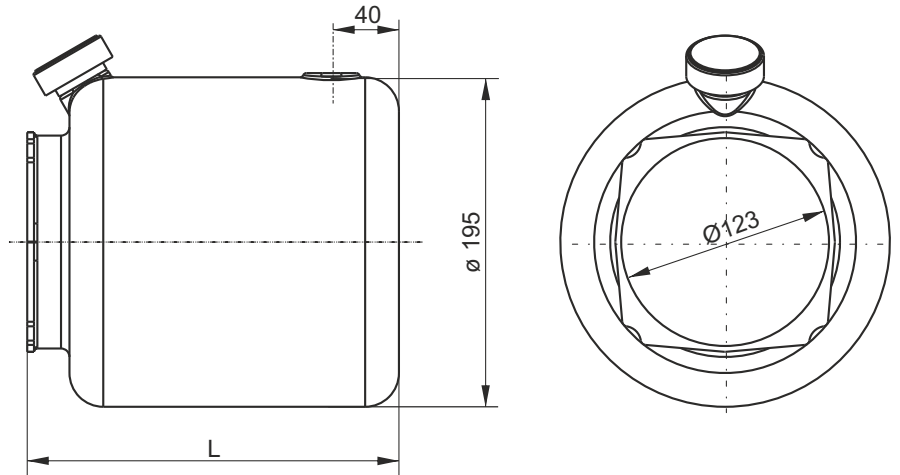


# SECTION E



## CYLINDRICAL PLASTIC TANKS P SERIES



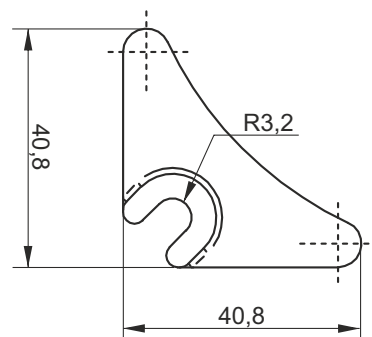
| Description                                     | Spare part code  | Assembly code     | L (mm) | Weight  | Actual filling volume (lt) |          |
|---|------------------|-------------------|--------|---------|----------------------------|----------|
|   |                  |                   |        |         | Horizontal                 | Vertical |
| 5 l cylindrical horizontal / vertical mounting  | <b>H60303028</b> | <b>5P / 5PV</b>   | 219    | 0,60 Kg | 5,0                        | 4,2      |
| 7 l cylindrical horizontal / vertical mounting  | <b>H60303030</b> | <b>7P / 7PV</b>   | 271    | 0,61 Kg | 6,0                        | 5,5      |
| 9 l cylindrical horizontal / vertical mounting  | <b>H60303032</b> | <b>9P / 9PV</b>   | 323    | 0,76 Kg | 7,2                        | 6,5      |
| 11 l cylindrical horizontal / vertical mounting | <b>H60303035</b> | <b>11P / 11PV</b> | 453    | 1,06 Kg | 9,0                        | 10,5     |

|                            |   |
|----------------------------|---|
| <b>Material</b>            | PE-HD neutral / transparent colour (DO NOT EXPOSE TO DIRECT SUNLIGHT) |
| <b>Fluid</b>               | Mineral based oil ISO/DIN 6743/4                                      |
| <b>Working temperature</b> | -15 / +70°C   |

### Clamping brackets



|                   |
|-------------------|
| <b>Clamp code</b> |
| <b>E60513022</b>  |



Notes: 4 x E60513022 mounting clamp brackets and a clamp band are required to fix P series cylindrical plastic tanks.

Notes: the piping kit, standard suction strainer and filler/breather are included when specifying the tank in PPC assembly code. When ordering spare tanks, only the filler/breather C86100001, E60513022 plate and clamp band are included. Discharge ports are normally moulded blind. On request these tanks are available with an offset collar. Ask for details.