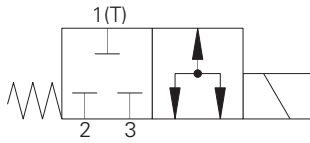


S526 - Solenoid valve

Spool type, 3-way, 2-position
Up to 35 L/min (9 USgpm) • 210 bar (3000 psi)

A



Operation

In the de-energized condition all ports are closed. When energized all ports are open to each other.

Performance data

Ratings and specifications

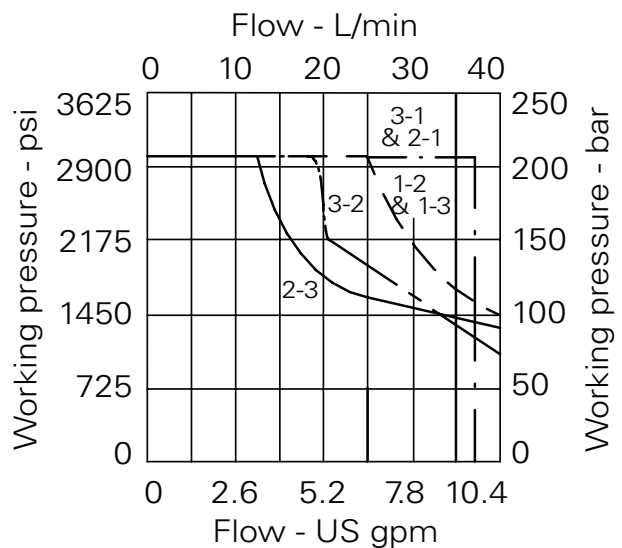
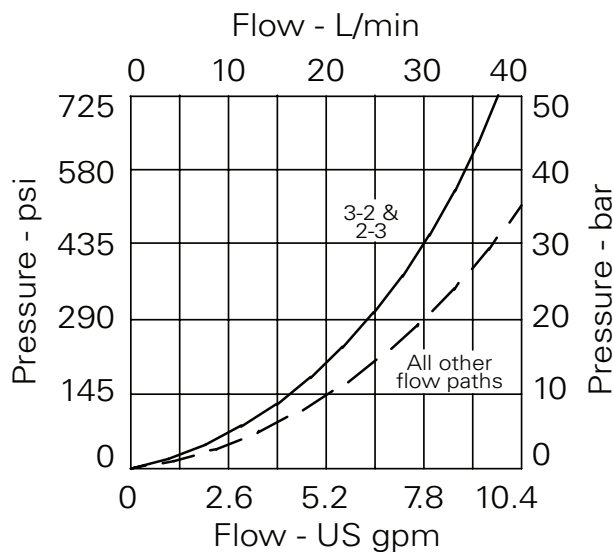
Performance data is typical with Viscosity 32 cST (150 SSU)

Max working pressure	210 bar (3000 psi)
Rated flow	See performance graphs
Nominal flow at $\Delta P = 5$ bar (70 psi)	11 L/min (3 USgpm)
Internal leakage	Less than 120 ml/min past each land 210 bar differential
Temperature range	-30° to +120°C (-22° to +248°F)
Cavity	C-10-3 (see Section M)
Electrical data	See coil data sheet
Torque cartridge into cavity	30 Nm (22 lbs ft)
Mounting position	Unrestricted
Fluids	All general purpose hydraulics fluids such as MIL-H-5606, SAE 10, SAE 20 etc
Seal material	Standard nitrile with PTFE back up rings
Filtration	BS5540/4 Class 18/13 (25 micron or better)
Nominal viscosity range	15 to 250 cSt
Standard housing materials	Aluminium alloy
Coil weight	0.3 kg (0.6 lbs)
Cartridge weight	0.2 kg (0.4 lbs)
Seal kit	SK1030 (Nitrile) SK1030V (Viton®)
Coil part number	C16-*/*/19
Coil voltage available	12, 24 VDC, 110, 220, VAC*

Viton is a registered trademark of E.I. DuPont

*AC coils must be used with a rectifying connector

Pressure drop

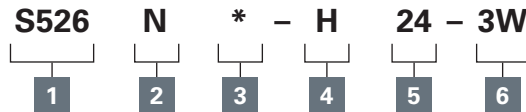


Where measurements are critical request certified drawings. We reserve the right to change specifications without notice.

S526 - Solenoid valve

Spool type, 3-way, 2-position
Up to 35 L/min (9 USgpm) • 210 bar (3000 psi)

Model code



1 Function

S526

2 Seal material

N - Nitrile

V - Viton®

3 Manual override

2 - Screw

(Consult factory for availability).
See page A-960

4 Coil Termination

H - DIN43650

F - Flying leads

DM - Deutsch moulded

Other terminations available
on request.

5 Voltage

12 - 12 VDC

24 - 24 VDC

110 - 110 VAC

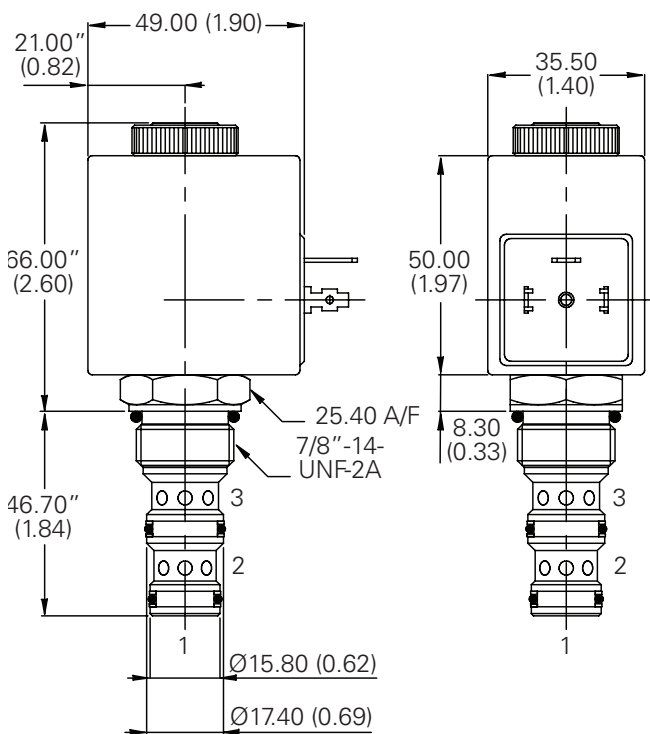
220 - 220 VAC

6 Port size

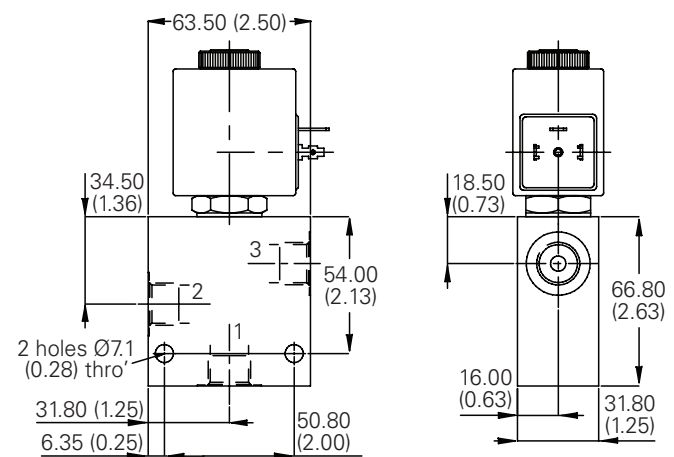
Code	Port size	Housing number - body only
Aluminium		
3W	3/8" BSP	B18982
4W	1/2" BSP	B19358
8T	1/2" SAE	B19360

Dimensions - mm (inch)

Cartridge only



Installation drawing



Where measurements are critical request certified drawings. We reserve the right to change specifications without notice.