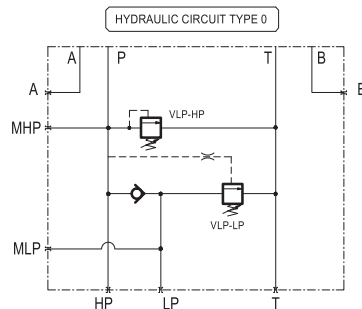
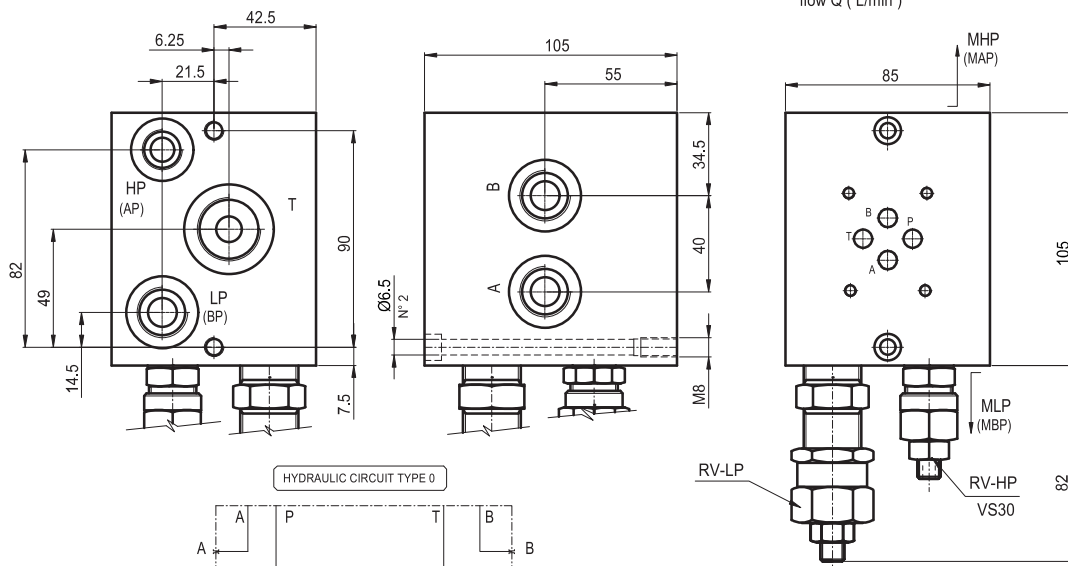
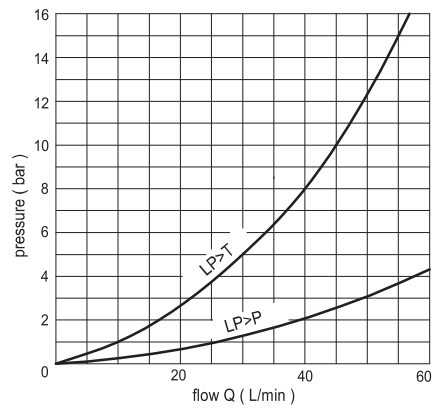


# HIGH-LOW PRESSURE BLOCK

TYPE ET203/...

High/low pressure plate with port CETOP 3  
 HP (AP) 3/8"G, LP (BP) 1/2"G, T 3/4"G, rear.  
 A-B side 3/4"G  
 MHP - MLP side 1/4"G

TECHNICAL SPECIFICATIONS	
Nominal flow:	40 l/min.
Max pressure:	300 bar
Oil viscosity:	2,8-380 cSt
Oil temperature:	-10° +80° (°C)
Oil type:	mineral HL-HLP DIN 51524
Filtering:	19/15 ISO 4466 (25micron)
Gaskets	NBR
Body material:	GG25
Weight:	6.5 Kg



Ordering code: **ET 2 0 3 / \* \***

Eurofluid = T  
 High/low pressure plate  
 Version port CETOP = 2  
 Version block standard = 0

CETOP 3

Low pressure setting (adjust by screw)  
 1 F = 5-50 bar  
 2 F = 30-100 bar

High pressure setting (adjust by screw)  
 2 F = 50-210 bar  
 3 F = 100-300 bar