

# OIL EQUIPMENT

CE



MADE IN ITALY

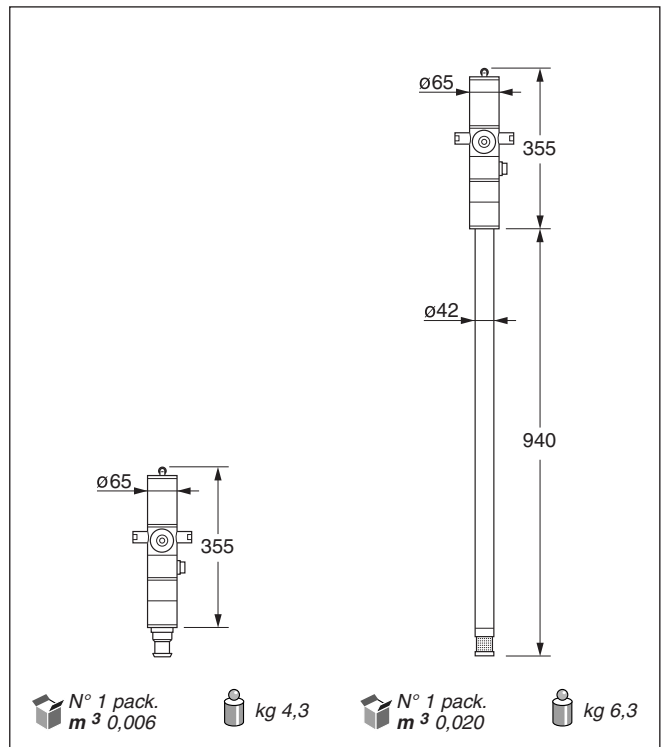
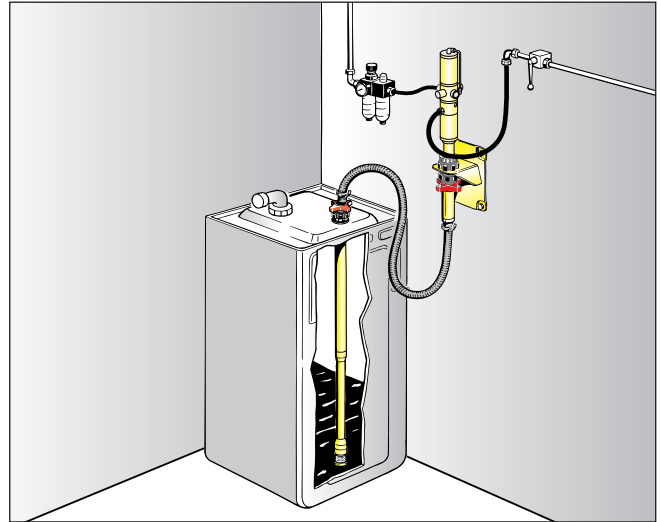
**Ratio** 1:1  
**Capacity** 23 l/min



art. 0E33060



0E33094



| ARTICLE                     | 0E33060                             | 0E33094                             |
|-----------------------------|-------------------------------------|-------------------------------------|
| Suitable for                | oil, lubricant and similar products | oil, lubricant and similar products |
| Gaskets                     | teflon                              | teflon                              |
| Suction tube upper body     | aluminium                           | aluminium                           |
| Suction tube                | carbon steel                        | carbon steel                        |
| Inlet air connection        | F 1/4" G                            | F 1/4" G                            |
| Outlet fluid connection     | F 1/2" G                            | F 1/2" G                            |
| Suitable for drums of       | modular / wall mounted              | kg 180/220                          |
| Suction tube diameter       | wall mounted                        | ø 42                                |
| Air consumption (8 bar)     | 230 l/min                           | 230 l/min                           |
| Noise level                 | 80 dB                               | 80 dB                               |
| Max air pressure            | 8 bar                               | 8 bar                               |
| Max viscosity oil delivered | 80 SAE                              | 80 SAE                              |



art. 0E33125

## art. 0E33125

Wall mounted kit for empty reservoirs composed by: pump (art. 0E33060), bracket (art. 0E33115), hose (art. 0E38026).

N° 1 pack.  
m<sup>3</sup> 0,029

kg 8,4



art. 0E33119

## art. 0E33119

Nipple 1" x 3/4" M/M



art. 0E33126

## art. 0E33126

Female quick connector 3/4" F



art. 0E33127

## art. 0E33127

Male quick connector 3/4" F

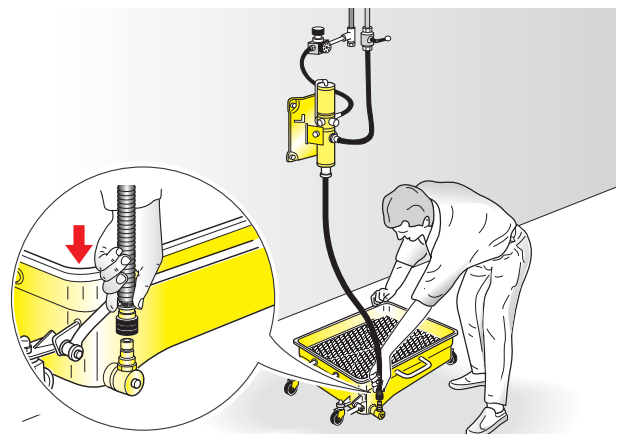
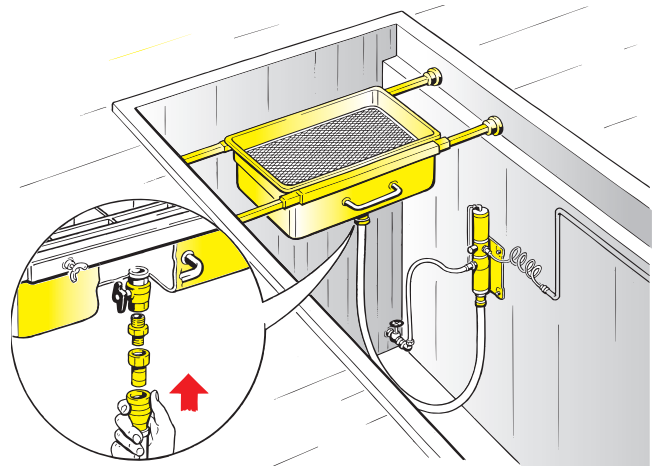
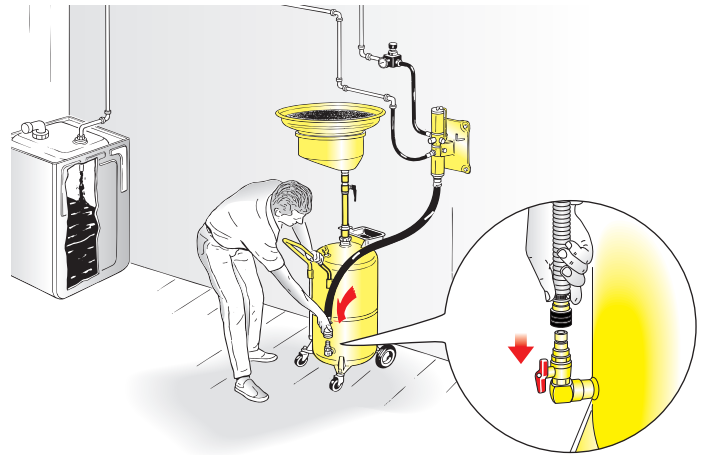
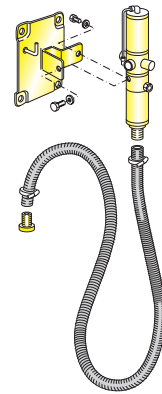


## art. 0E33100

Wall mounted transfer kit with 23 l/min pump (art. 0E33060).

N° 1 pack.  
m<sup>3</sup> 0,029

kg 10,4







**art. 0E33121**  
High capacity  
oil gun.



**art. 0E33122**  
Transfer gun for  
oil and antifreeze,  
**high capacity.**



**art. 0E33123**  
Ball cock 3/4" G.  
complete with  
terminal.



art. 0E38026

**art. 0E38026**  
**Flexible suction  
hose** for wall  
mounted pumps  
length 2 m,  
ø 1" and 1/4".



art. 0E38027

**art. 0E38027**  
**Rigid suction  
tube** for wall  
mounted pump.



art. 0E91204

art. 0E93405

**art. 0E91204**  
**Delivery hose**  
1/2" M/F  
length 4 m. - 100 bar

**art. 0E93405**  
**Delivery hose**  
3/4" M/F  
length 5 m. - 100 bar.



**art. 0E33115**  
Steel wall bracket  
for pump  
(art. 0E33060).



**art. 0E38042**  
Bung adaptor  
ø 42 mm with  
**double body,**  
for oil pump.

**art. 0E33116**  
Nipple  
1" x 1"G - M/M

**art. 0E33117**  
Nipple  
3/4" x 3/4"G - M/M

**art. 0E33118**  
Nipple  
1/2" x 3/4"G - M/M

**art. 0E33119**  
Nipple  
1" x 3/4"G - M/M

**art. 0E38071**  
Nipple  
1/2" x 1/2"G - M/M

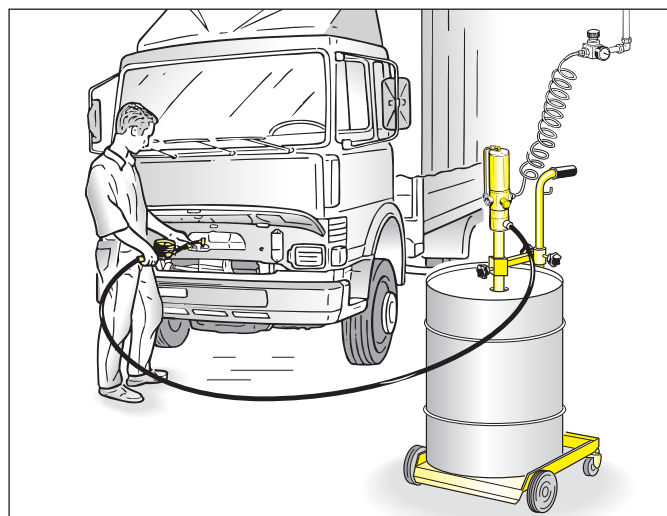
**art. 0E33112**  
Nipple 3/4"G x 3/4"  
NPT M/F

**art. 0E33113**  
Nipple 1/2"G x 3/4"  
NPT M/F

# PNEUMATIC PUMPS FOR OIL AND ANTIFREEZE



**Ratio 3:1**  
**Capacity 14 l/min**



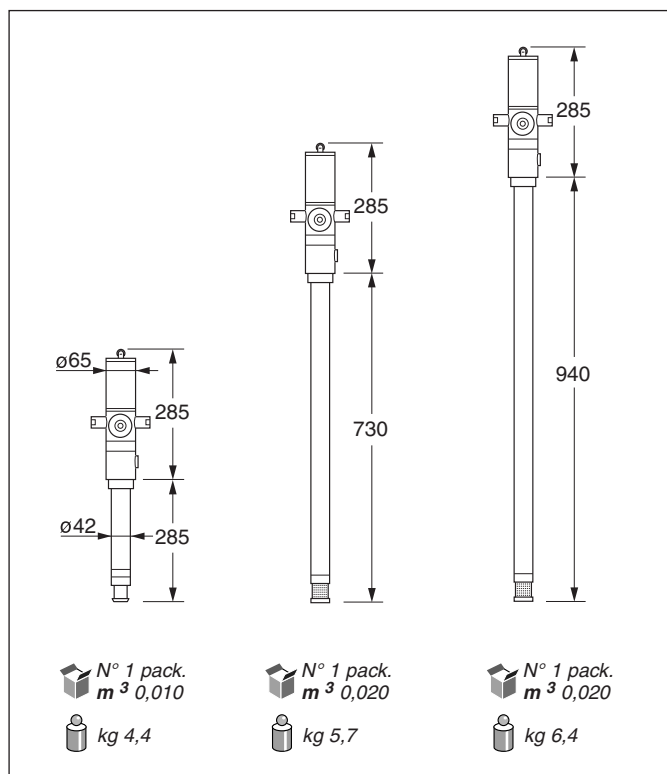
art. **OE35160**



**OE35173**

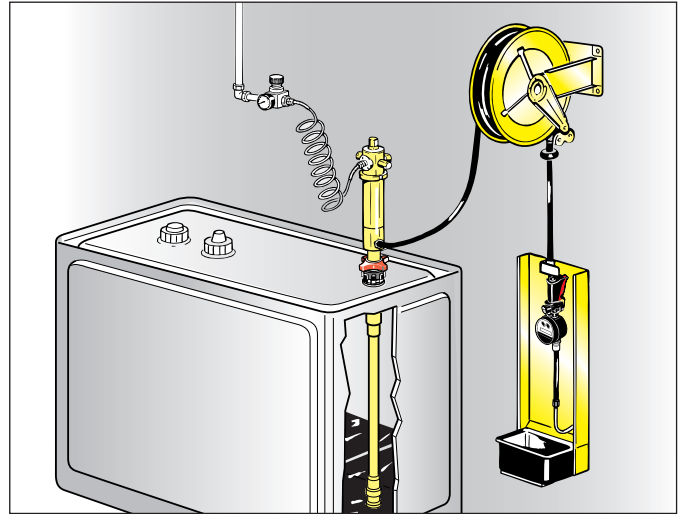


**OE35194**



| ARTICLE                     | OE35160                             | OE35173                             | OE35194                             |
|-----------------------------|-------------------------------------|-------------------------------------|-------------------------------------|
| Suitable for                | oil, lubricant and similar products | oil, lubricant and similar products | oil, lubricant and similar products |
| Gaskets                     | polyurethane/PU and NBR             | polyurethane/PU and NBR             | polyurethane/PU and NBR             |
| Suction tube upper body     | aluminium                           | aluminium                           | aluminium                           |
| Suction tube                | carbon steel                        | carbon steel                        | carbon steel                        |
| Inlet air connection        | F 1/4" G                            | F 1/4" G                            | F 1/4" G                            |
| Outlet fluid connection     | F 1/2" G                            | F 1/2" G                            | F 1/2" G                            |
| Suitable for drums of       | modular / wall mounted              | kg 50/60                            | kg 180/220                          |
| Suction tube diameter       | wall mounted                        | ø 42                                | ø 42                                |
| Air consumption (8 bar)     | 230 l/min                           | 230 l/min                           | 230 l/min                           |
| Noise level                 | 80 dB                               | 80 dB                               | 80 dB                               |
| Max air pressure            | 8 bar                               | 8 bar                               | 8 bar                               |
| Max viscosity oil delivered | 130 SAE                             | 130 SAE                             | 130 SAE                             |

**Ratio 5:1**  
**Capacity 18 l/min**



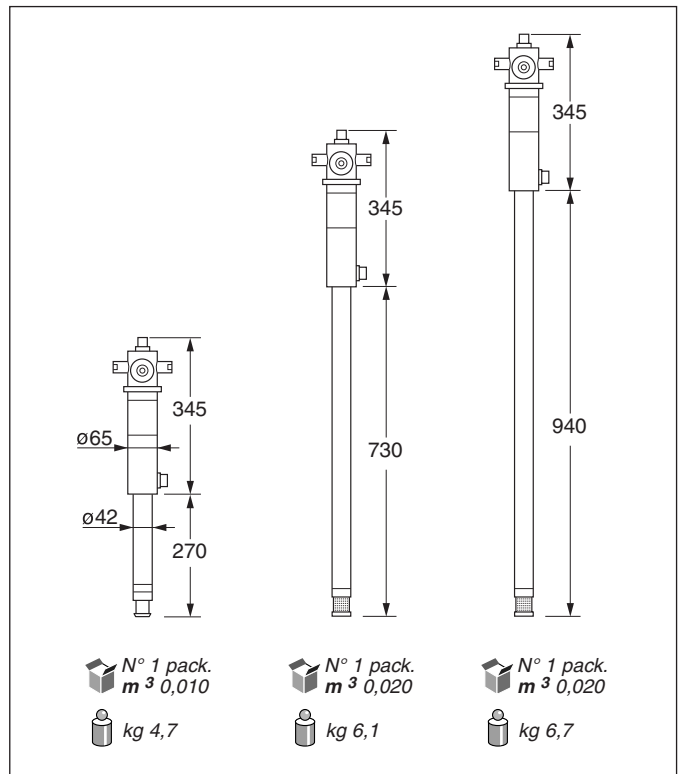
art. **OE36060**



**OE36073**



**OE36094**



| ARTICLE                     | OE36060                             | OE36073                             | OE36094                             |
|-----------------------------|-------------------------------------|-------------------------------------|-------------------------------------|
| Suitable for                | oil, lubricant and similar products | oil, lubricant and similar products | oil, lubricant and similar products |
| Gaskets                     | NBR                                 | NBR                                 | NBR                                 |
| Suction tube upper body     | aluminium                           | aluminium                           | aluminium                           |
| Suction tube                | carbon steel                        | carbon steel                        | carbon steel                        |
| Inlet air connection        | F 1/4" G                            | F 1/4" G                            | F 1/4" G                            |
| Outlet fluid connection     | F 1/2" G                            | F 1/2" G                            | F 1/2" G                            |
| Suitable for drums of       | modular / wall mounted              | kg 50/60                            | kg 180/220                          |
| Suction tube diameter       | wall mounted                        | $\varnothing$ 42                    | $\varnothing$ 42                    |
| Air consumption (8 bar)     | 250 l/min                           | 250 l/min                           | 250 l/min                           |
| Noise level                 | 80 dB                               | 80 dB                               | 80 dB                               |
| Max air pressure            | 8 bar                               | 8 bar                               | 8 bar                               |
| Max viscosity oil delivered | 240 SAE                             | 240 SAE                             | 240 SAE                             |

## KITS FOR DISTRIBUTING OIL AND ANTIFREEZE



### art. 0E35220

Mobile kit for distributing oil for **180/220 Kg.** drums with standard trolley (art. 0E80200), **pump R. 3:1** (art. 0E35194), and **digital oil gun** (art. 0E37735).



N° 3 pack.  
m<sup>3</sup> 0,121 kg 33,3

### art. 0E35250

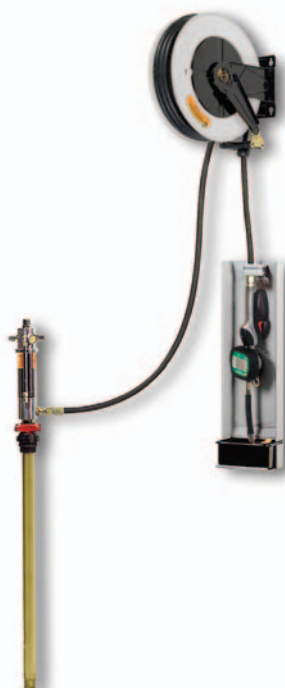
Mobile kit for distributing oil for **30/50 Kg** with trolley (art. 0E80050), **pump R. 3:1** (art. 0E35173), and **digital oil gun** (art. 0E37735).



N° 3 pack.  
m<sup>3</sup> 0,085 kg 20

### art. 0E37675

Wall mounted oil dispensing Kit with **pump R. 5:1** (art. 0E36094) for oil dispensing from **180/220 Kg** drums **digital meter gun** (art. 0E37735) **hose reel 10 m 1/2"** hose (art. 430/41).



N° 4 pack.  
m<sup>3</sup> 0,128 kg 31,1

### art. 0E35285

Basic wall kit for oil distribution with **wall pump R. 3:1** (art. 0E35160).



N° 1 pack.  
m<sup>3</sup> 0,029 kg 11,4

### art. 0E37685

Basic wall kit for oil distribution with **wall pump R. 5:1** (art. 0E36060).

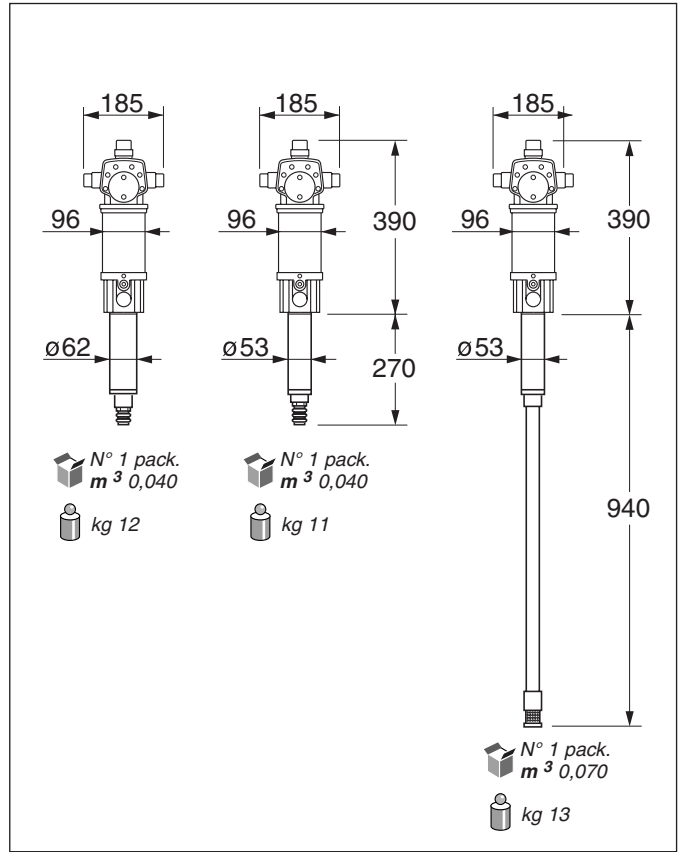
N° 1 pack.  
m<sup>3</sup> 0,029 kg 11,9



Ratio      5:1              7:1              7:1  
 Capacity 45 l/min   30 l/min   30 l/min

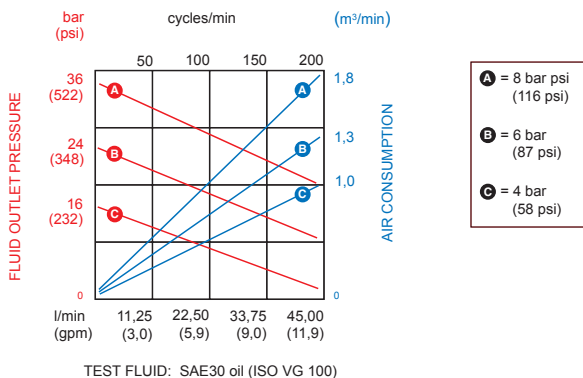


ART.      0E90C/51      0E90C/71      0E91C/71

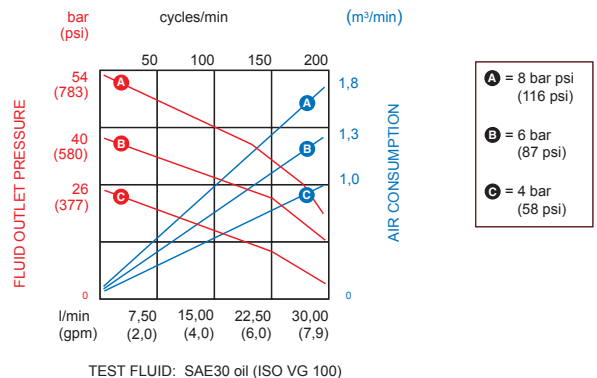


| ARTICLE                 | 0E90C/51                            | 0E90C/71                            | 0E91C/71                            |
|-------------------------|-------------------------------------|-------------------------------------|-------------------------------------|
| Suitable for            | oil, lubricant and similar products | oil, lubricant and similar products | oil, lubricant and similar products |
| Gaskets                 | poliuretano/PU                      | poliuretano/PU                      | poliuretano/PU                      |
| Suction tube upper body | aluminium                           | aluminium                           | aluminium                           |
| Suction tube            | carbon steel                        | carbon steel                        | carbon steel                        |
| Inlet air connection    | F 1/2"                              | F 1/2"                              | F 1/2"                              |
| Outlet fluid connection | F 3/4"                              | F 3/4"                              | F 3/4"                              |
| Suitable for drums of   | modular                             | modular                             | kg 180/220                          |
| Suction tube diameter   | ø 62                                | ø 53                                | ø 53                                |
| Air consumption (8 bar) | 1,8 m <sup>3</sup> /min             | 1,8 m <sup>3</sup> /min             | 1,8 m <sup>3</sup> /min             |
| Noise level             | 80 dB                               | 80 dB                               | 80 dB                               |
| Max air pressure        | 8 bar                               | 8 bar                               | 8 bar                               |

## Ratio 5:1, Capacity 45 l/min



## Ratio 7:1, Capacity 30 l/min

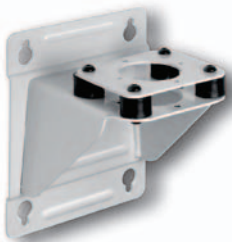
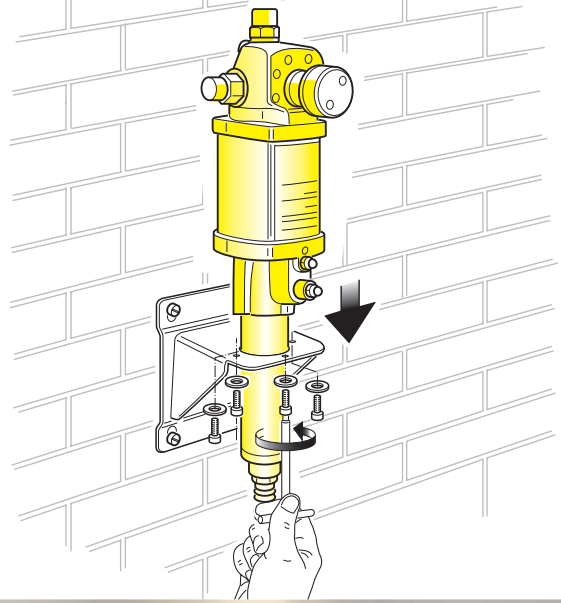






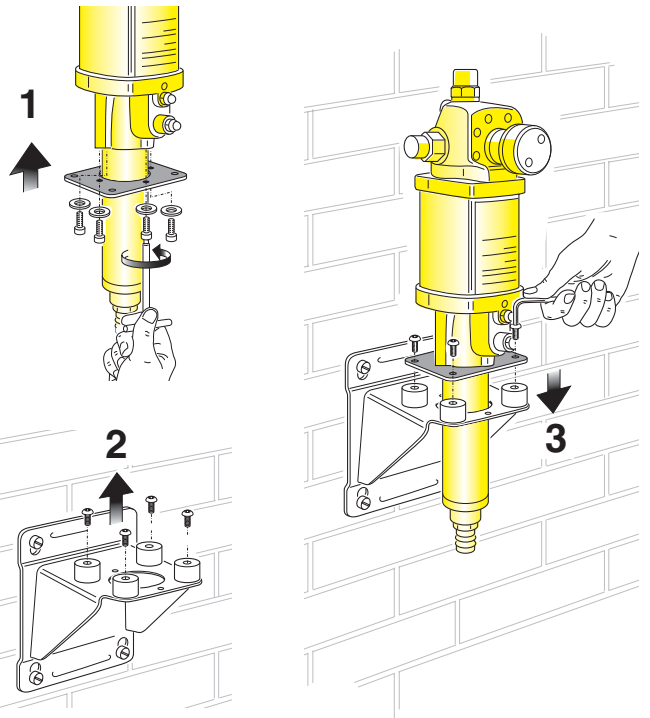
**art. 0E10/10**

Wall bracket for mono-block pumps.



**art. 0E10/11**

Wall bracket with shock absorbers for mono-block pumps.



**art. 0E10/15**

Bung adaptor  $\varnothing$  53 for pump on standard drum



**art. 0E10/20**

Shank filter with valve F. 1"

**Alloy oil guns**



**art. 0E38022**

Oil gun with **flexible outlet hose**.



**art. 0E38021**

Oil gun with **metal outlet tube**.



**art. 0E33121**

High capacity oil gun.

**Alloy gun with digital meter**



**art. 0E37735**

Oil gun with **flexible outlet hose and digital meter** (art. 0E37722).

(\*)



**art. 0E37722**

**Digital meter DIMO** for oil and antifreeze.

*Not type approved for public use*

**art. 0E38010**



**Flexible outlet hose** for oil gun.

**art. 0E38011**



**Metal outlet tube** for oil gun.

**art. 0E38012**



Outlet tube for **high capacity** oil gun.

**art. 0E38015**

Pressurized semiautomatic nozzle  $\varnothing$  10.



**art. 0E38016**

Pressurized semiautomatic nozzle  $\varnothing$  16.



**art. 0E38062**

Straight swivel joint M/F 1/2" G.



**art. 0E38071**  
Nipple  
1/2" x 1/2" G M/M



**art. 0E38072**  
Nipple  
1/2" x 3/8" G M/M



**art. 0E38073**  
Nipple  
3/8" x 3/8" G M/M

**art. 0E38075**  
Nipple  
1/2" G x 1/2" NPT M/F



**art. 0E38070**  
Union  
M/F 1/2" G at 90°.

**art. 0E38026**  
Suction hose for  
wall mounted  
pumps length 2 m,  
ø 1" 1/4"



**art. 0E38027**  
Rigid suction tube  
for wall mounted  
pumps.

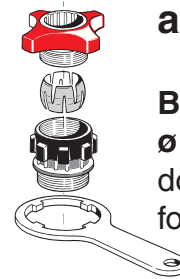


**art. 0E91202**  
Hose reel pump  
connection tube  
2 m - 1/2" F/F

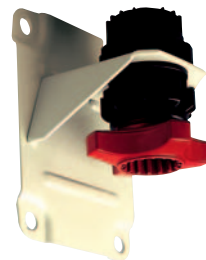
**art. 0E91204**  
Delivery tube 4 m  
60 bar 1/2" M/F

**art. 0E91210**  
Delivery tube 10 m  
60 bar 1/2" M/F

**art. 0E91215**  
Delivery tube 15 m  
60 bar 1/2" M/F



**art. 0E38042**  
Bung adaptor  
ø 42 mm a with  
double body,  
for oil pump.



**art. 0E38043**  
Wall bracket  
ø 42 mm with  
double body  
clamping system.

**Trolleys**

**art. 0E80050**  
Trolley for drums  
of 20/60 Kg.  
with 4 wheels:  
2 fixed and  
2 swivelling.



N° 1 pack.  
m<sup>3</sup> 0,020

kg 9,2

**art. 0E80200**  
Standard trolley  
for drums  
of 180/220 Kg.  
with 4 wheels:  
2 fixed and  
2 swivelling.





N° 1 pack.  
m<sup>3</sup> 0,060

kg 21,9

## Wall mounted Oil Bar

**art. 0E37690**

Oil bar equipped with 1 tap.

 N° 1 pack.  
 $m^3$  0,136  kg 23,8



**art. 0E37691**

Oil bar with:  
1 tap.  
**1 digital meter**  
(art. 0E37722).

 N° 1 pack.  
 $m^3$  0,136  kg 25



**art. 0E37692**

Double valve Oil tap for Oil bar with filter.



**art. 0E37694**

Digital litre counter kit for oil bar (art. 0E37722).



**art. 0E37693**

Kit to **connect** the oil bar to a **fixed installation**.

## Oil Bar for drum

**art. 0E37695**

Pump kit for **feeding** wall mounted Oil Bar.

 N° 2 pack.  
 $m^3$  0,033  kg 9,3



**art. 0E37697**

Oil Bar for drum 180/220 Kg equipped with pump R. 3.1, 14 l/min, and drip catcher basin.

 N° 2 pack.  
 $m^3$  0,030  kg 12





# MODULAR EXTENSIONS FOR OIL PUMPS



**art. 0E38084**

Top connection.



**art. 0E38085**

Extension  
500 mm,  $\varnothing$  32 mm.



**art. 0E38086**

Extension sleeve.



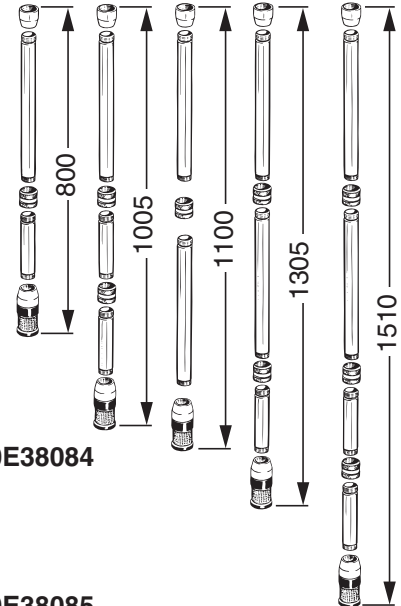
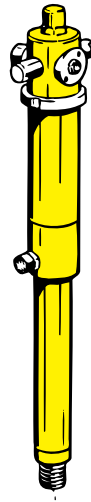
**art. 0E38087**

Extension  
200 mm,  $\varnothing$  32 mm.



**art. 0E38088**

Foot valve with  
connection and  
filter.



**art. 0E38084**

**art. 0E38085**

**art. 0E38086**

**art. 0E38087**

**art. 0E38088**



**art. 0E38089**

Differentiated  
connection.



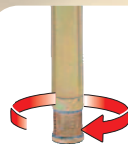
**art. 0E38093**

Connection  
for foot valve.



**art. 0E38091**

Foot valve for side  
connection pump  
to tank.



Pump suction tube  $\varnothing$  42



**art. 0E38089** Differentiated connect.



**art. 0E38084** Top connection for  
modular extension



**art. 0E38085** Extension  $\varnothing$  32

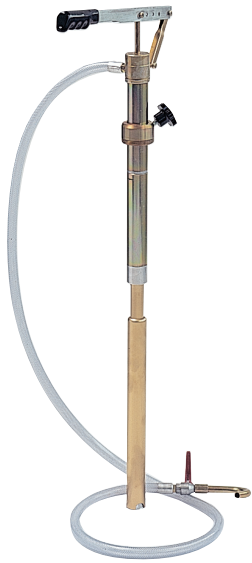


**art. 0E38093** Connection for foot  
valve



Foot valve previously removed.

## Pneumatic



### art. 0E30200

Double action hand operated pump with 940 mm suction tube for standard drum **180/220 Kg** provided with pump locking ring.

N° 1 pack. m<sup>3</sup> 0,016 kg 4,4

| Article  | 0E30200    |
|--|------------|
| Suitable for drums                                 | 180/220 kg |
| Delivery hose length                               | 2 m        |
| Probe tube length                                  | 0,94 m     |
| Quantity delivered for complete cycle of the lever | 220 g      |
| Max. oil density delivered                         | SAE 240    |



### art. 0E33024

Pneumatic wheel mounted air operated **24 litre** oil dispenser equipped with level gauge and antisplash funnel (art. 0E24891).

N° 1 pack. m<sup>3</sup> 0,090 kg 13,1

| Article                    | 0E33024       |
|----------------------------|---------------|
| Tank capacity              | 24 l          |
| Structure                  | wheel-mounted |
| Delivery hose length       | 2 m           |
| Gun hose length            | 0,27 m        |
| Max. oil density delivered | SAE 130       |



### art. 0E32024

Hand operated oil dispenser with **24 litre** tank equipped with level gauge and antisplash funnel (art. 0E24891).

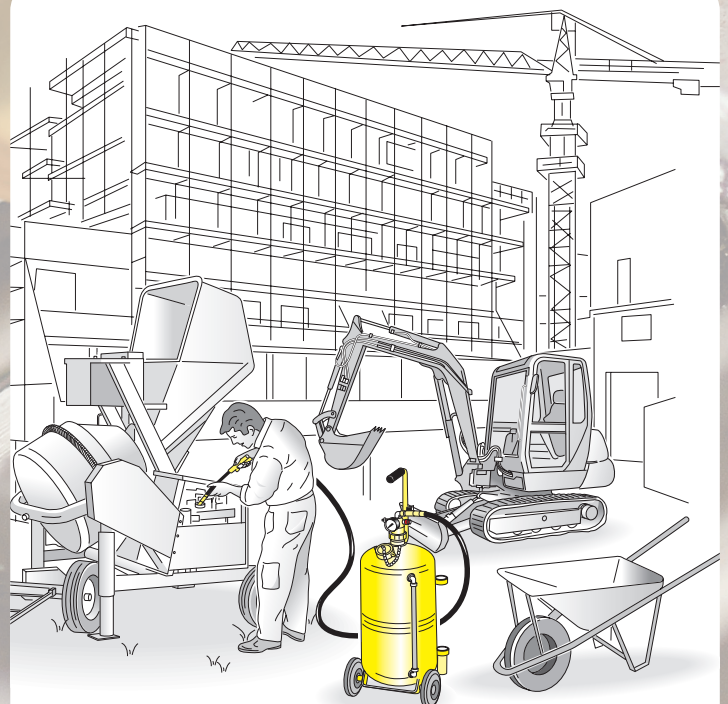
N° 1 pack. m<sup>3</sup> 0,090 kg 13,7

| Article  | 0E32024       |
|--|---------------|
| Tank capacity                                      | 24 l          |
| Structure  | wheel-mounted |
| Delivery hose length                               | 2 m           |
| Quantity delivered for complete cycle of the lever | 220 g         |
| Max. oil density delivered                         | SAE 240       |



### art. 0E24891

Antisplash funnel provided with the oil dispensers.



# GENERAL SALES CONDITIONS

## **Art. 1 : DELIVERY OF THE GOODS**

Goods are delivered only ex our works through the carrier indicated by the customer and travel under total buyers risk.

## **Art. 2 : DELIVERY TERMS**

The delivery times communicated could be modified, so that they are always approximate.

Possible delays in delivery or partial shipment do not give the customer any right to cancel the order or to claim ensuing damages.

ECODORA S.r.l. has the right not to execute the order and to execute it fully or partially, without any claims for damage being made towards the Company.

Urgent orders are subject to our acceptance.

## **Art. 3 : PACKS AND PACKAGING**

Packaging costs are already included in the price while special packing (pallets) will be debited at cost.

## **Art. 4 : COMPLAINTS**

Our Head Office have to be informed in writing within 8 days of receiving the goods about any complaint relative to shortages or errors.

Possible defect of the product noticed only by using it must be communicated in writing within 8 days from its discovering to our Head Office.

## **Art. 5 : PRICES**

Prices are ex our works.

ECODORA S.r.l. reserves the right to amend or modify prices even without prior notice according to the changes in market conditions or technical innovations or modifications made to the product.

In this case the goods will be invoiced at the price in force on the day of shipment.

## **Art. 6 : PAYMENTS**

Payments have to be made only to ECODORA Srl at the established conditions, without deductions or rounding off.

In case of late payment, we reserve the right to charge interest at the current rate and any additional costs incurred.

Discounts already calculated and subject to payment will be debited.

## **Art. 7 : WARRANTY**

All products are provided with the relative instructions manual containing indications about maintenance too.

ECODORA S.r.l. reserves the right to amend without notice any design or specification of the range of products included in the catalogue.

All technical information, illustrations or drawings are supplied for guidance only.

The warranty shall cover any defect due to material or manufacture procedure under the terms fixed by the law and in this case ECODORA S.r.l. will only charge Euro 15,00 as administrative cost.

The guarantee will lapse in case of incorrect installation, operation or maintenance of the products.

Items claimed to be faulty should be returned to our works, carriage paid, for examination.

## **Art. 8 : RESPONSABILITY**

ECODORA S.r.l. is not liable for any accident to persons and things which may take place due to or during use of the equipment, or caused by and depending on the same equipment.

## **Art. 9 : COMPETENT LAW COURT**

These conditions of sale shall be governed by and construed with Italian law, and any disputes shall be settled by the law-court of Bassano del Grappa (VI), Italy.





Authorized dealer



Via Nardi 124 36060  
ROMANO D'EZZELINO (VI) - ITALY  
Tel +39 0424 570891 Fax +39 0424 571354  
E-mail: [info@ecodora.com](mailto:info@ecodora.com)  
Internet: [www.ecodora.com](http://www.ecodora.com)