

# EPEC 3606 CONTROL UNIT

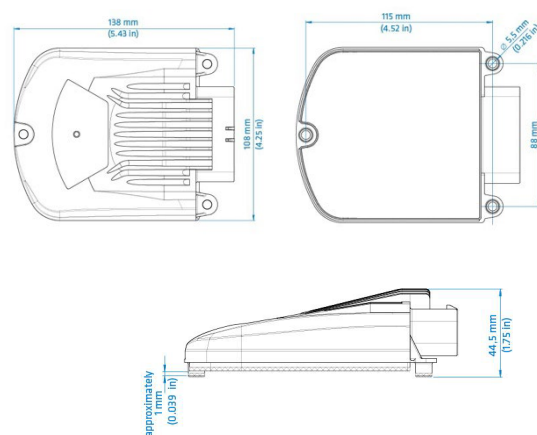
ONE PAGER 3606

Epec 3606 Control Unit is a compact and robust multifunction controller with a high calculating power. It can be used as a stand-alone controller for smaller systems or as part of a bigger, decentralized control system. Epec 3606 control unit has 21 I/O pins in total.

The unit's casing works to protect the electronics against mechanical wear. The leak-proof zinc/plastic housing has also been widely tested against different environmental conditions. The unit is equipped with a signal LED for diagnostics. One CAN is also equipped with double pins to make cabling easier since there is no need for branches in the wire harness.

## TECHNICAL FEATURES

Processor: 16/32 bit CPU
Flash memory: 1,6 Mbyte
RAM: 138 kbyte
PLCopen application size: up to 768 kbyte
CAN: 1 or 2
I/O: 21 (13 inputs + 8 outputs)
IP class: IP67
Temperature range: -40 ... + 85 °C -40 ... +185 °F
Connectors: 1 x AMP 35
CODESYS version: 2.3
Supported CAN protocols: CANopen, SAEJ1939, ISOBUS
Two-colored diagnostic LED for quick status check and fault detection



## APPROVALS

Symbol / Name	Explanation
CE	This product complies with the requirements set in the CE Standard.
E17	This product is certified with normal automotive (E17) EMC (electromagnetic compatibility) standards.
RoHS2	This product complies with the RoHS directive (The Restriction of the use of certain Hazardous Substances in Electrical and Electronic Equipment).
AEF HW conformance*	This product has passed AEF HW conformance tests

\* Only for ISOBUS product version E30E3606-23

## VARIANTS & MANUALS

Ordering code	E30B3606-21	E30B3606-01	E30B3606-02	E30B3606-31	E30B3606-23
Technical Manual ID	MAN000551	MAN000552	MAN000552	MAN000590	MAN000618
CAN	1	1	2	1	2
5 V REF	2	2	2	2	2
PWM / DO / DI (pull-up resistor)	8	-	-	-	-
PWM / DO / DI (pull-down resistor)	-	8	8	8	8
DI / PI	5	5	5	5	5
AI / DI (0-5 V / 0-22 mA)	4	4	4	4	4
AI / DI (0-5 V)	-	-	-	-	-
AI / DI (0-37 V)	-	-	-	-	-
FB / AI (1 A)	-	4	4	-	-
FB / AI (2 A)	4	-	-	4	4



[3606 Product Page](#)

YOUR CHALLENGE, OUR INSPIRATION.

EPEC