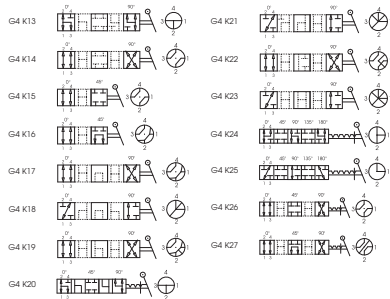
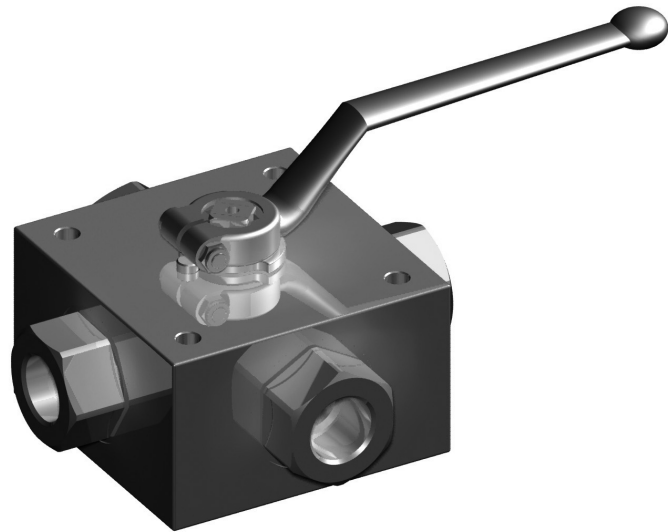


Carbon Steel



Specifications

- Type: ball valve G4K 4way
- Body: square
- Material: 1,0570/1,0737
- Ball seats: from DN6 up to DN25
- O-Rings: NBR
- Operating pressure: 500 Bar depending on valve size and seal materials selected
- Temp range: -10°C to +100°C depending on seal material selected

G4K 4-WAY HIGH PRESSURE BALL VALVES

G4K K13 G^{1/4} DN6 2 1 1 1 A B

Type and way of valve
G4K 4-way high pressure ball valves

Type of way
K13 K21
K14 K22
K15 K23
K16 K24
K17 K25
K18 K26
K19 K27
K20

Valves dimension of inch
GAS ANSI/ASME
DIN/ISO 228 B1.20.1 NPT
G 1/4 N 1/4
G 3/8 N 3/8
G 1/2 N 1/2
G 3/4 N 3/4
G 1" N 1"
G1" 1/4 R N1" 1/4 R
G1" 1/2 R N1" 1/2 R

Nominal dimension
DN6
DN10
DN13
DN20
DN25

Body material
1 1,0737

Adapter material
1 1,0737

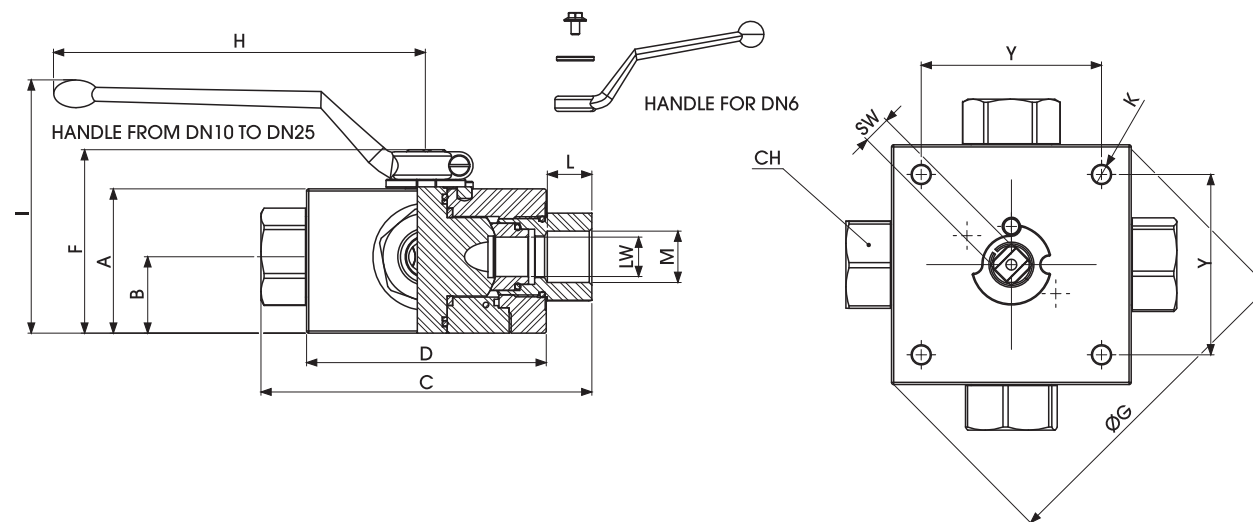
Stem material
1 1,0737

Ball material
1 1,0737

Ball seat material
A POM

Adapter and stem seal material
B NBR

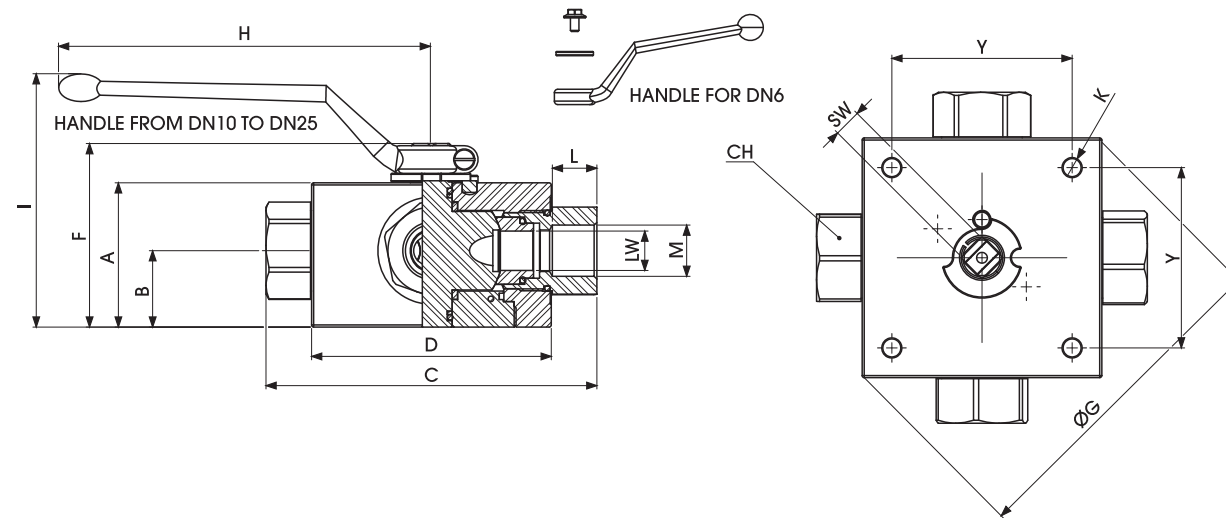
"The company reserves the right to operate dimensional changes without prior notice".

**G4K DIN ISO 228 BSP**

Standard

TYPE	PN	DN	A	B	C	D	E	F	ØG	H	I	L	M	CH	K	Y	SW	WEIGHT Kg
G4K G 1/4	50 MPa	6	42	21,5	100	70	11	56,5	-	110	97,5	15,5	G 1/4	24	6,5	55	9	1,767
G4K G 3/8	50 MPa	10	53	28,5	115	80	14	71,5	-	180	101	15,5	G 3/8	30	6,5	65	14	3,018
G4K G 1/2	40 MPa	13	62	33	136	100	14	80,5	-	180	110	17	G 1/2	41	8,5	80	14	5,247
G4K G 3/4	35 MPa	20	68	36	156	113	14	86,5	-	300	116,5	21	G 3/4	41	8,5	85	14	6,898
G4K G 1"	35 MPa	25	82	47,5	181	118	14	100,5	138	300	130,5	24	G 1"	50	8,5	85	14	9,005
G4K G 1" 1/4 R	35 MPa	25	82	47,5	181	118	14	100,5	138	300	130,5	24	G 1" 1/4	55	8,5	85	14	8,989
G4K G 1" 1/2 R	35 MPa	25	82	47,5	181	118	14	100,5	138	300	130,5	24	G 1" 1/2	60	8,5	85	14	9,213

"The company reserves the right to operate dimensional changes without prior notice".

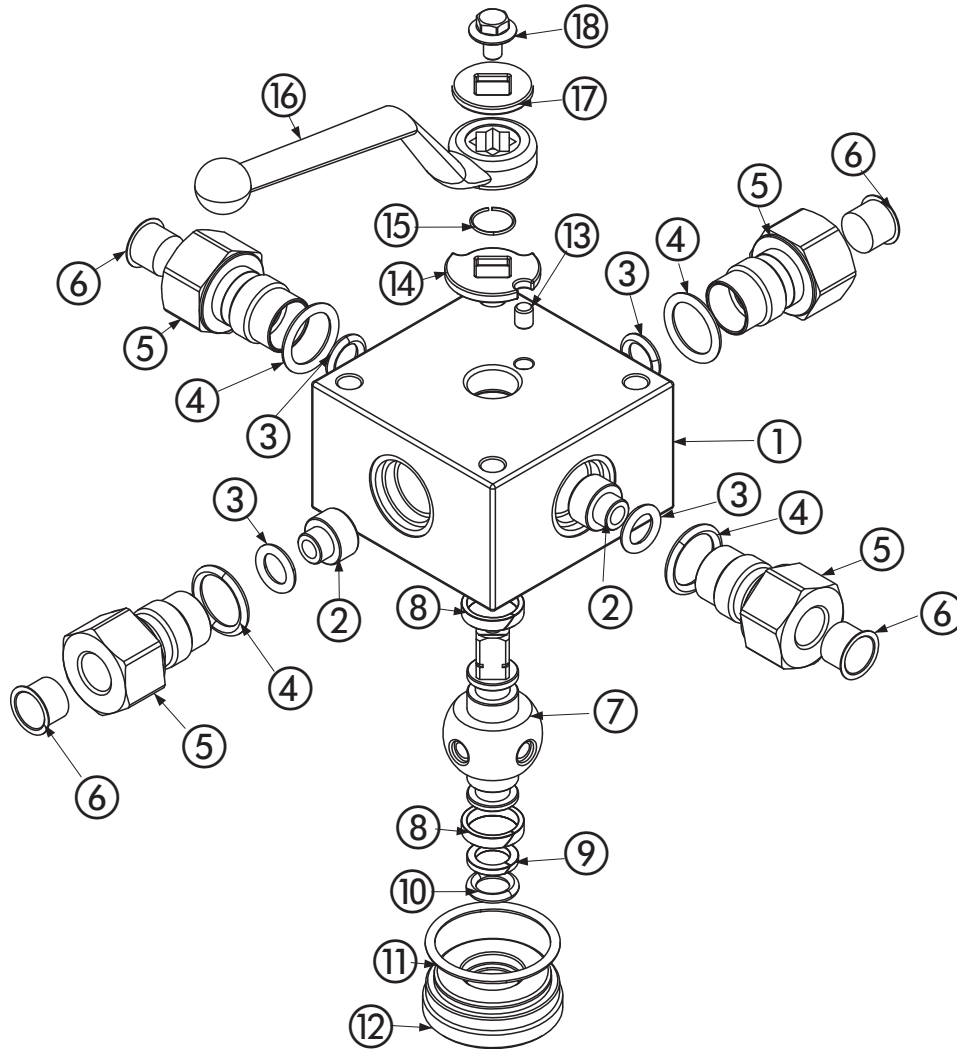


**G4K ANSI/ASME
B1.20.1 NPT**

Standard

TYPE	PN	DN	A	B	C	D	E	F	ØG	H	I	L	M	CH	K	Y	SW	WEIGHT Kg
G4K N 1/4	50 MPa	6	42	21,5	100	70	11	56,5	-	110	97,5	17	N 1/4	24	6,5	55	9	1,767
G4K N 3/8	50 MPa	10	53	28,5	115	80	14	71,5	-	180	101	17	N 3/8	30	6,5	65	14	3,018
G4K N 1/2	40 MPa	13	62	33	136	100	14	80,5	-	180	110	21	N 1/2	41	8,5	80	14	5,247
G4K N 3/4	35 MPa	20	68	36	156	113	14	86,5	-	300	116,5	21	N 3/4	41	8,5	85	14	6,898
G4K N 1"	35 MPa	25	82	47,5	181	118	14	100,5	138	300	130,5	24	N 1"	50	8,5	85	14	9,005
G4K N 1" 1/4 R	35 MPa	25	82	47,5	181	118	14	100,5	138	300	130,5	24	N 1" 1/4	55	8,5	85	14	8,989
G4K N 1" 1/2 R	35 MPa	25	82	47,5	181	118	14	100,5	138	300	130,5	24	N 1" 1/2	60	8,5	85	14	9,213

"The company reserves the right to operate dimensional changes without prior notice".

G4K 4-WAY HIGH PRESSURE BALL VALVES

Pos	Description	Material	Q.tà
1	Body	1,0737	1
2	Ball Seat	POM	4
3	Seal o-ring	NBR	4
4	Adapter o-ring	NBR	4
5	Adapter	1,0737	4
6	Caps	PVC	4
7	Ball stem	1,0737	1
8	Body ring	PTFE	2
9	Stemball ring	PTFE	2
10	Stemball o-ring	NBR	2
11	Body o-ring	NBR	1
12	Stemball adapter	1,0737	1
13	Spine	1,0737	1
14	Washer	1,0116	1
15	Seeger	1,4301	1
16	Handle	ZINC	1
17	Washer	1,0116	1
18	Screw	DIN 6921 8.8	1

On request

- Reduced bore
- Special Threads
- Pressure Class PN 100 to PN 500
- Pneumatic and electrical actuator
- Locking device

• For further special requests please consult our technical/commercial service

"The company reserves the right to operate dimensional changes without prior notice".