

# GBF

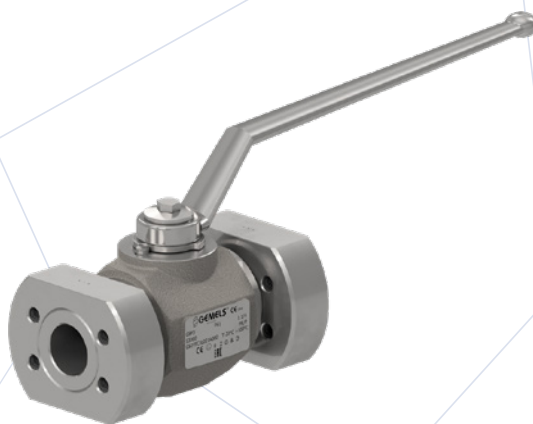
## 2-WAY HIGH PRESSURE BALL VALVES

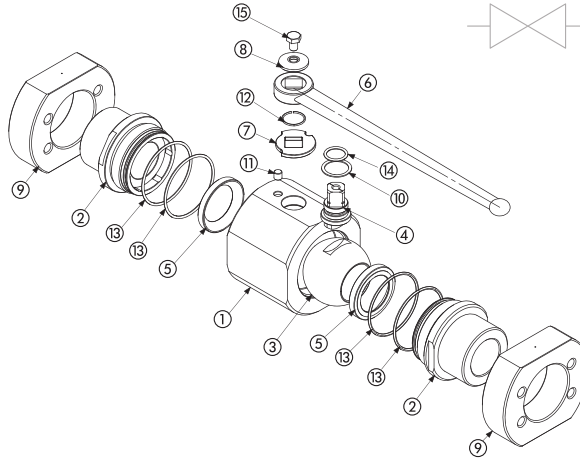
### CARBON STEEL

- Type: forged ball valve 2 way
- Sizes: from DN32 up to DN50
- Ends: ISO6162-1/-2, SAEJ518-1/-2
- O-Rings: NBR, FKM, EPDM, MVQ
- Pressure: up to PN420 / S6000
- Temp range: -30°C to +100°C

### STAINLESS STEEL

- Type: forged ball valve 2 way
- Sizes: from DN32 up to DN50
- Ends: ISO6162-1/-2, SAEJ518-1/-2
- O-Rings: NBR, FKM, EPDM, MVQ
- Pressure: up to PN420 / S6000
- Temp range: -30°C to +100°C





CARBON STEEL			
POS	DESCRIPTION	MATERIAL	Q.TY
1	Body	1,0570	1
2	Adapter	1,0570	2
3	Ball	1,0737	1
4	Stem	1,0737	1
5	Ball seat	POM	2
6	Handle	1,0116	1
7	Washer	1,0116	1
8	Washer	1,0737	1
9	Flange	1,0570	2
10	Stem ring	POM	1
11	Spine	1,0737	1
12	Seeger	1,4301	1
13	Adapter o-ring	NBR	4
14	Stem o-ring	NBR	1
15	Screw	ISO4017 8.8	1

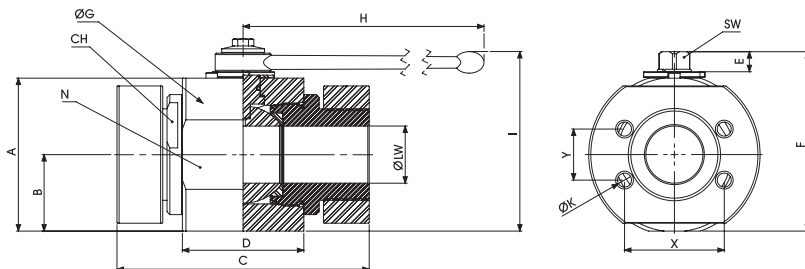
CARBON STEEL										
GB	F3	DN32	2	2	1	1	A	B		
TYPE AND WAY OF VALVE	VALVES DIMENSION OF PRESSURE (PSI) F3 F6		NOMINAL DIMENSION	BODY MATERIAL	ADAPTER MATERIAL	STEM MATERIAL	BALL MATERIAL	BALL SEAT MATERIAL	ADAPTER AND STEM SEAL MATERIAL	
GB 2-way	S3000	S6000	DN32 DN40 DN50	2 1,0570	2 1,0570	1 1,0737 4 1,4404*	1 1,0737 4 1,4404*	A POM D PEEK* G PA612* K GEMPTFE* C PTFE*	B NBR E FKM* F EPDM* L MVQ*	

STAINLESS STEEL			
POS	DESCRIPTION	MATERIAL	Q.TY
1	Body	1,4404	1
2	Adapter	1,4404	2
3	Ball	1,4404	1
4	Stem	1,4301	1
5	Ball seat	POM	2
6	Handle	1,4301	1
7	Washer	1,4301	1
8	Washer	1,4301	1
9	Flange	1,4044	2
10	Stem ring	POM	1
11	Spine	1,4301	1
12	Seeger	1,4301	1
13	Adapter o-ring	NBR	4
14	Stem o-ring	NBR	1
15	Screw	ISO4017 A2	1

STAINLESS STEEL										
GB	F3	DN32	4	4	4	4	A	B		
TYPE AND WAY OF VALVE	VALVES DIMENSION OF PRESSURE (PSI) F3 F6		NOMINAL DIMENSION	BODY MATERIAL	ADAPTER MATERIAL	STEM MATERIAL	BALL MATERIAL	BALL SEAT MATERIAL	ADAPTER AND STEM SEAL MATERIAL	
GB 2-way	S3000	S6000	DN32 DN40 DN50	4 1,4404	4 1,4404	4 1,4404	4 1,4404	A POM D PEEK* G PA612* K GEMPTFE* C PTFE*	B NBR E FKM* F EPDM* L MVQ*	

- \*On request:
- Reduced bore
  - Special threads
  - Pressure class up to PN5000 Psi
  - Pneumatic and electrical actuator
  - Locking device

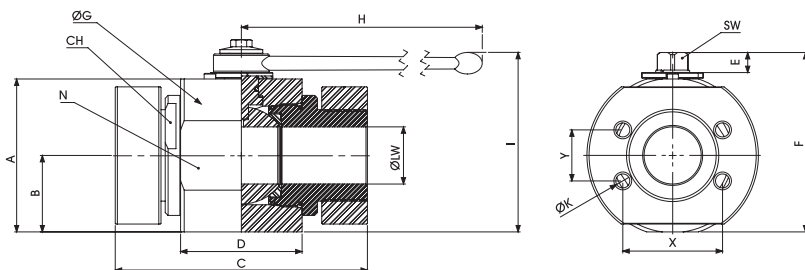
For further special requests please consult our technical/commercial service



## GBF SAE J518 S3000

Standard

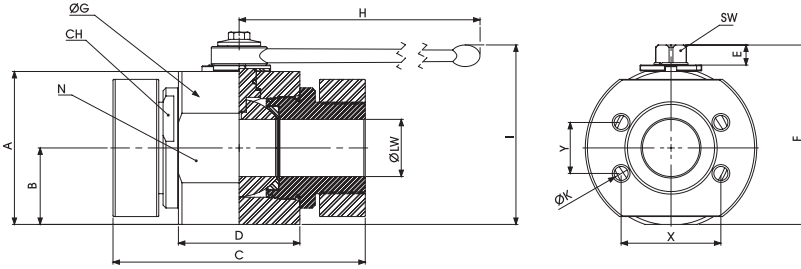
TYPE	PN	DN	A	B	C	D	E	F	ØG	H	I	N	X	Y	ØK	CH	SW	ØLW	KG	CARBON STEEL	STAINLESS STEEL
																				ITEM CODE	ITEM CODE
GBF3	4000 Psi	32	89	42,5	172	75	14	107,5	98	310	162	88	58,7	30,2	M10	60	17	32	8,102	GB2FFC3L021A000	GB2FFC3L044A000
GBF3	3000 Psi	40	106	52,5	176,5	85	14	124,5	113	310	180	102	69,8	35,7	M12	75	17	40	11,142	GB2FFC4L021A000	GB2FFC4L044A000
GBF3	3000 Psi	50	115,5	58,5	196	98	14	134	123	310	190	118	77,8	42,9	M12	85	17	50	15,343	GB2FFC5L021A000	GB2FFC5L044A000



## GBF SAE J518 S3000 UNC

Standard

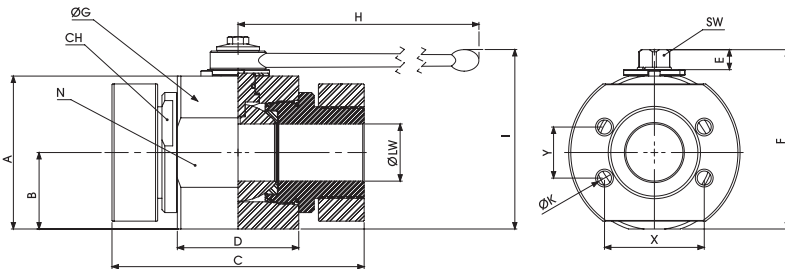
TYPE	PN	DN	A	B	C	D	E	F	ØG	H	I	N	X	Y	ØK	CH	SW	ØLW	KG	CARBON STEEL	STAINLESS STEEL
																				ITEM CODE	ITEM CODE
GBF3	4000 Psi	32	89	42,5	172	75	14	107,5	98	310	163	88	58,7	30,2	$7/16-14$ UNC	60	17	32	8,102	GB2FUC3L021A000	GB2FUC3L044A000
GBF3	3000 Psi	40	106	52,5	176,5	85	14	124,5	113	310	180	102	69,8	35,7	$1/2-13$ UNC	75	17	40	11,142	GB2FUC4L021A000	GB2FUC4L044A000
GBF3	3000 Psi	50	115,5	58,5	196	98	14	134	123	310	190	118	77,8	42,9	$1/2-13$ UNC	85	17	50	15,343	GB2FUC5L021A000	GB2FUC5L044A000



### GBF SAE J518 S6000

Standard

TYPE	PN	DN	A	B	C	D	E	F	ØG	H	I	N	X	Y	ØK	CH	SW	ØLW	KG	CARBON STEEL	STAINLESS STEEL
																				ITEM CODE	ITEM CODE
GBF6	6000 Psi	32	89	42,5	172	75	14	107,5	98	310	160	88	66,7	31,8	M12	60	17	32	8,102	GB2FFC93021A000	GB2FFC93044A000
GBF6	6000 Psi	40	106	52,5	176,5	85	14	124,5	113	310	180	102	79,4	36,5	M16	75	17	40	11,142	GB2FFCA3021A000	GB2FFCA3044A000
GBF6	6000 Psi	50	115,5	58,5	196	98	14	134	123	310	190	118	96,8	44,5	M20	80	17	50	15,343	GB2FFCB3021A000	GB2FFCB3044A000



### GBF SAE J518 S6000 UNC

Standard

TYPE	PN	DN	A	B	C	D	E	F	ØG	H	I	N	X	Y	ØK	CH	SW	ØLW	KG	CARBON STEEL	STAINLESS STEEL
																				ITEM CODE	ITEM CODE
GBF6	6000 Psi	32	89	42,5	172	75	14	107,5	98	310	163	88	66,7	31,8	1/2-13 UNC	60	17	32	8,102	GB2FUC93021A000	GB2FUC93044A000
GBF6	6000 Psi	40	106	52,5	176,5	85	14	124,5	113	310	180	102	79,4	36,5	5/8-11 UNC	75	17	40	11,142	GB2FUCA3021A000	GB2FUCA3044A000
GBF6	6000 Psi	50	115,5	58,5	196	98	14	134	123	310	190	118	96,8	44,5	3/4-10 UNC	85	17	50	15,343	GB2FUCB3021A000	GB2FUCB3044A000