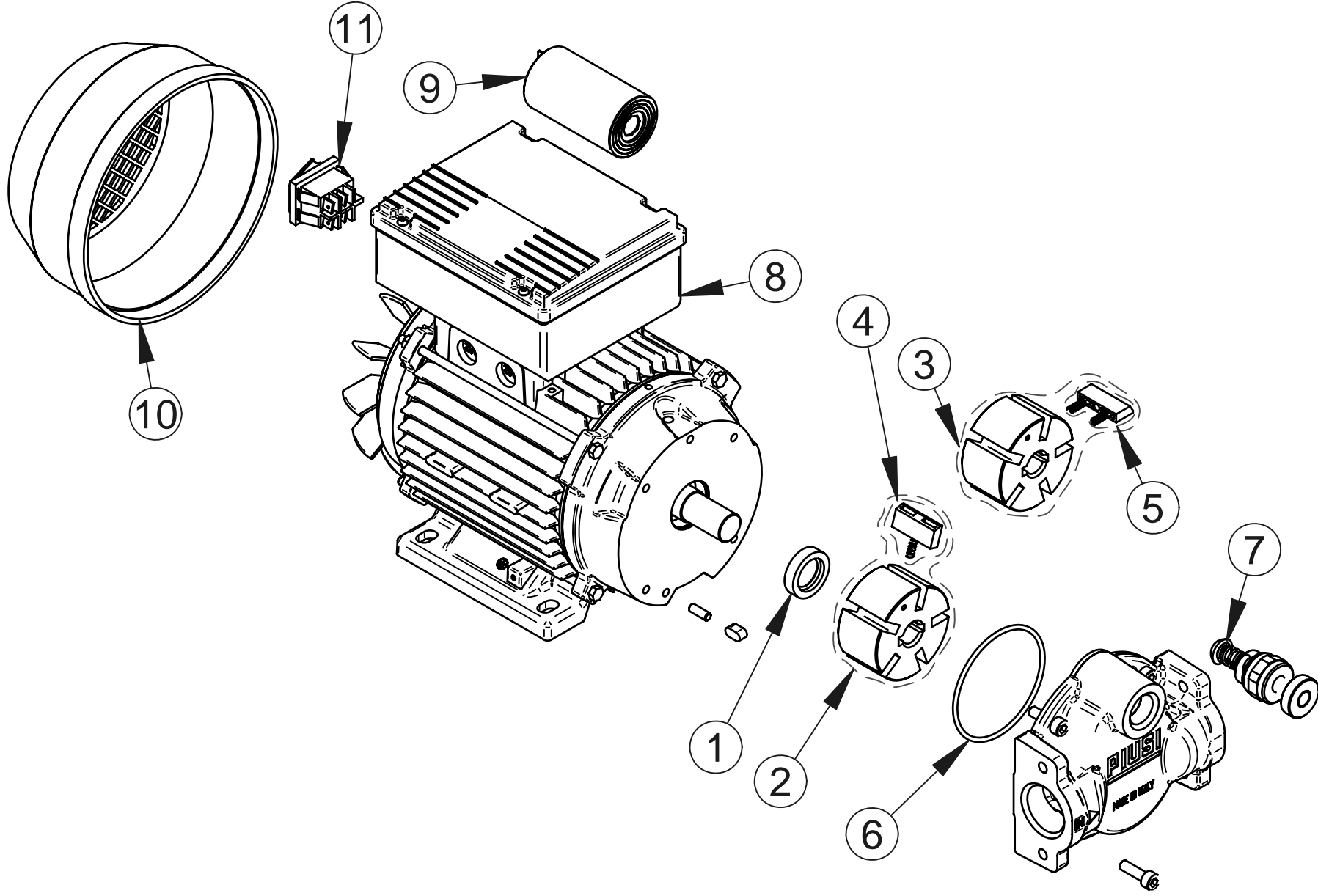




LR\_P00025

VISCOMAT 70 / 90


**PIUSI**<sup>®</sup>

*think genius*





Material Code Model  
 Info Documents of Material  
**F00303M00** **VISCOMAT 90 M 230V - 50/60 HZ**  
 **LR\_P00025.pdf**

Spare Parts List cod. F00303M00 VISCOMAT 90 M 230V - 50/60 HZ  
Status : **Item in Production**

Pos.	Material Code	Description	QT	UM
		 <b>Info Documents of Material</b>		
0001	R08772000	KIT SEAL BABSL 20/30/7 IN VITON	1	PC
0003	R13925000	KIT BLADES + SPRING + ROTOR VISCOMAT 90	1	PC
0005	R12662000	KIT VANES WITH SPRINGS VISCOMAT 90	1	PC
0006	R06710000	KIT SEAL ORING 3275	1	PC
0008	R0819600A	KIT TERMINAL BOX 1HP 230V \ 50HZ	1	PC
0009	R18572000	CONDENSER 30uF 450V	1	PC
0010	R08182000	KIT FAN COVER MOTOR MEC 80	1	PC
0011	R16657000	BIPOLAR SWITCH 16A 250V	1	PC
0012	R15572000	KIT BYPASS VALVE VISCOMAT 90	1	PC

www.piusi.com  
CERTIFIED  
UNI-EN ISO 9001

## Spare Parts (11 March 2015)

Material Code Model  
 Info Documents of Material  
**000303000** **VISCOMAT 90 T 400V/50HZ**  
 **LR\_P00025.pdf**

Spare Parts List cod. 000303000 VISCOMAT 90 T 400V/50HZ  
 Status : **Item in Production**

Pos.	Material Code	Description	QT	UM	U
		 <b>Info Documents of Material</b>			
0001	R08772000	KIT SEAL BABSL 20/30/7 IN VITON	1	PC	
0003	R13925000	KIT BLADES + SPRING + ROTOR VISCOMAT 90	1	PC	
0005	R12662000	KIT VANES WITH SPRINGS VISCOMAT 90	1	PC	
0006	R06710000	KIT SEAL ORING 3275	1	PC	
0007	R0828300A	KIT ADJUSTING VALVE VISC. 70/90	1	PC	
0008	R0818800A	KIT TERMINAL BOX 1HP 400V \ 50HZ	1	PC	
0010	R08182000	KIT FAN COVER MOTOR MEC 80	1	PC	