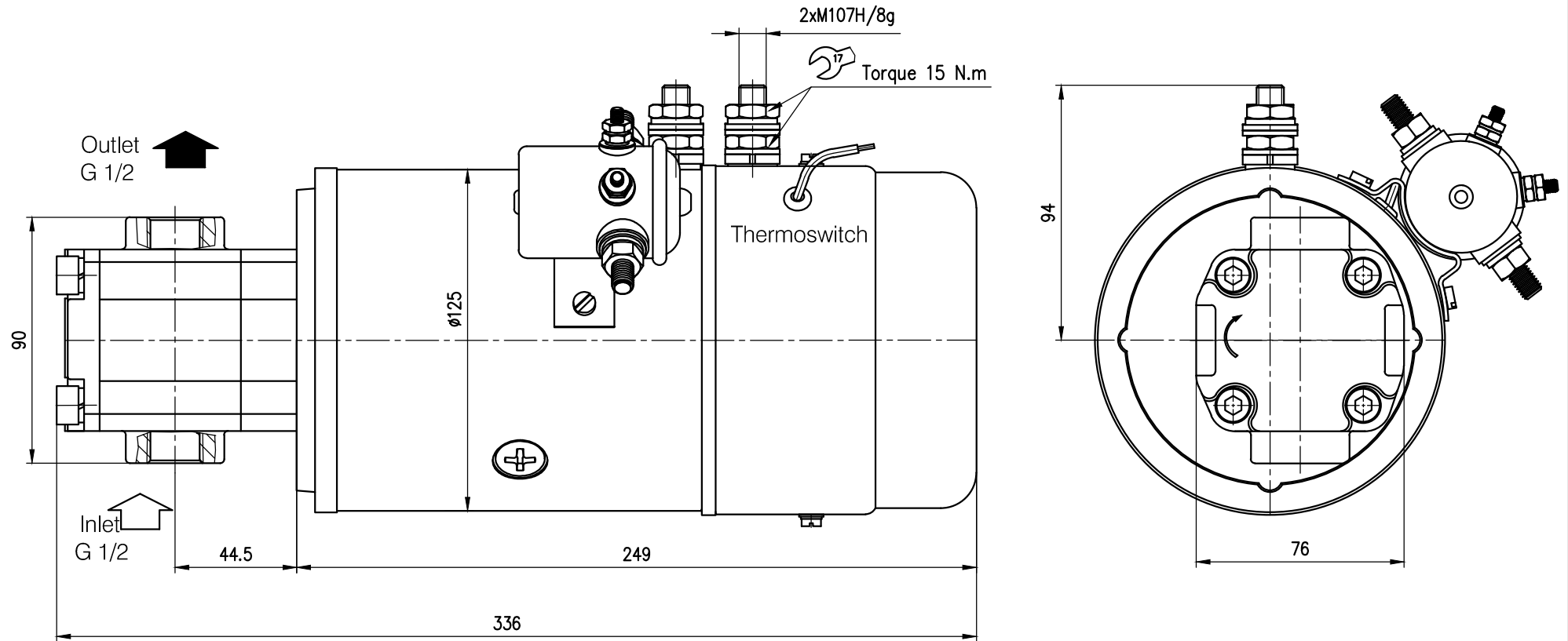


MOTOR - PUMP
DCM 3/2.4/35-01-V - 10A3.15X001G



MOTOR

Rated Voltage 24 V
Rated Power 3 kW
Rated speed 3500 rpm
Operation mode S2 - 10 min
IP 20
Insulation F

PUMP

Displacement 3.15cc
Max pressure 130 bar
Flow ~10.5 L/min

Weight ~ 12 kg



JOINT-STOCK COMPANY
caproni

HYDRAULIC COMPONENTS AND SYSTEMS

6100 Kazanlak, BULGARIA, 45, General Stoletov Str.

Tel: +359 /431/62 229; 6231

Fax: +359 /431/ 62 230; +359 /431/ 63 134

E-mail: caproni@caproni.bg; WEB: <http://www.caproni.bg>