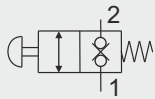
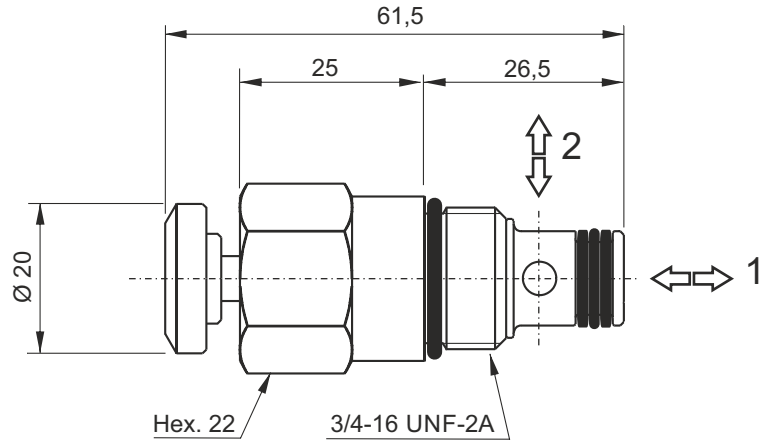


CPE - MANUAL EMERGENCY VALVES



Main features

Max pressure	300 bar
Max flow	25 l/min
Weight	0,12 kg

Recommended tightening torque: 25 Nm
 Recommended filtration: 25 + 50 µ
 Oil temperature: -30 + + 80 °C

Spare part code

- CPE** — Two-way manual emergency valve
- 04** — Nominal size:
04 = 3/4-16 UNF
- P** — Operating device:
P = press button

Assembly code

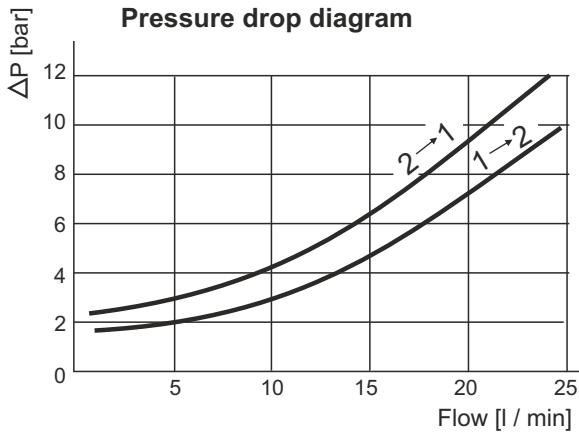
Z

Mounting cavities

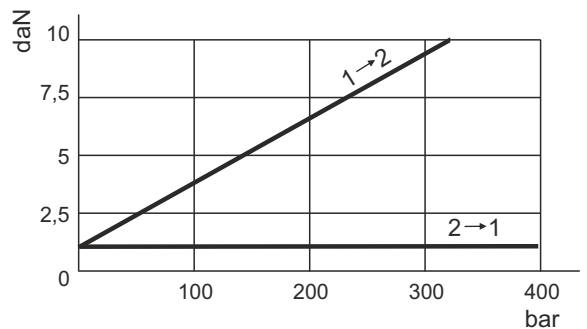
0	1	
2	3	4
5	6	7 8

Note: cavities 3, 4 and 6 are present on central manifold type UB only.

Pressure drop diagram



Operating force (daN) on the button



Note: Values measured on valve alone (no cavity) with an oil viscosity of 46 cSt at 50 °C. Pressure drop may change depending on fluid viscosity and temperature