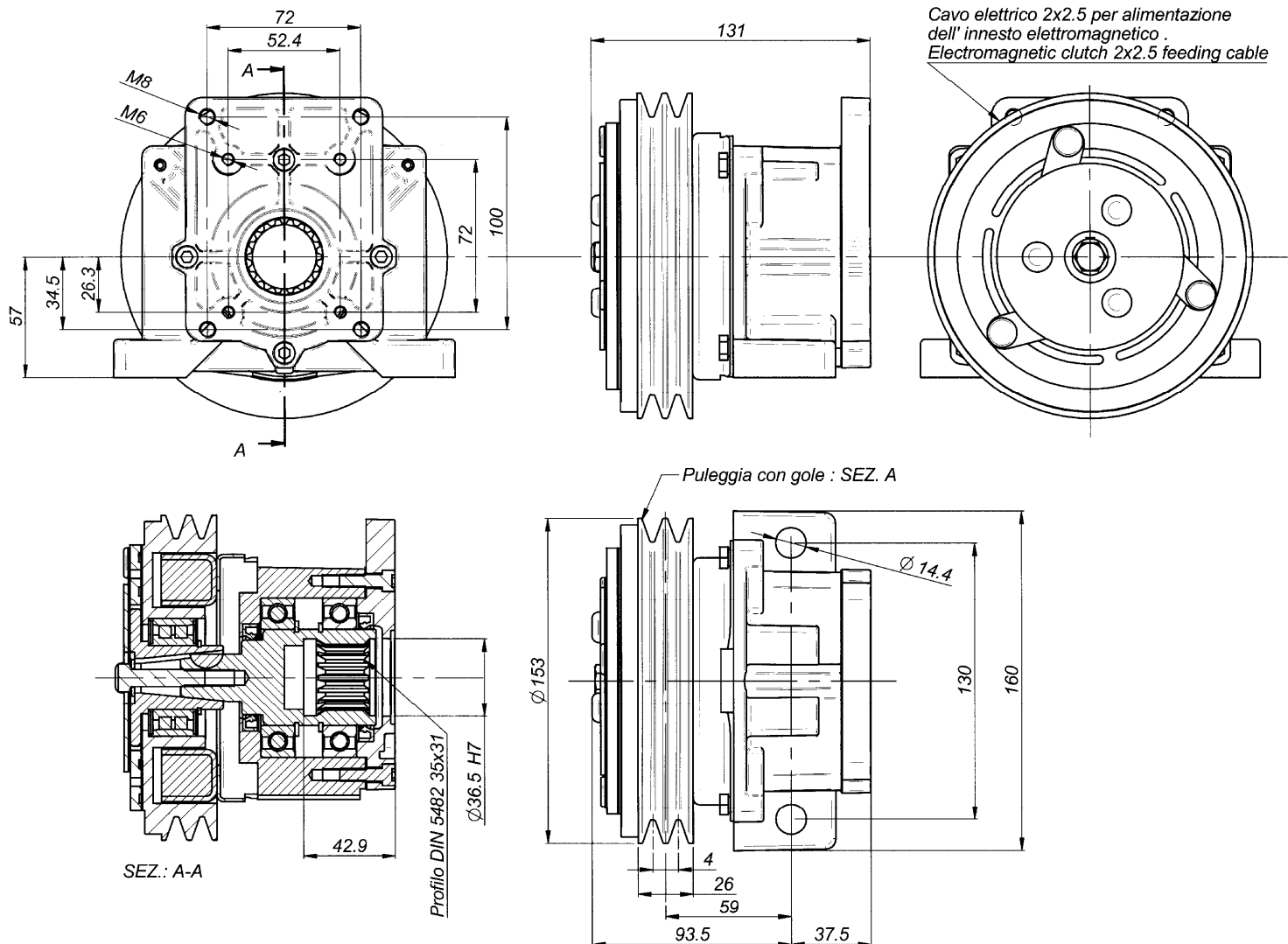


SERIE: 30929 12 Volt

SERIE: 30930 24 Volt



Nominal torque	11,8 daNm		Connection time		25 m/sec	
Static torque	14,0 daNm		Disconnection time		40 m/sec	
Dynamic torque	12,5 daNm		at 500 rpm		Minimum time between two connection	20 sec
	11,0 daNm		at 1000 rpm			
	8,2 daNm		at 1500 rpm			
	7,5 daNm		at 2000 rpm		Max speed	5000 rpm
	6,7 daNm		at 2500 rpm		Weight	5,5 Kg
6,5 daNm		at 3000 rpm				
Electric absorption	Resistance (Ω)		Current (A)		Power (W)	
	20° C	120° C	20° C	120° C	20° C	120° C
12 V DC	4,00	5,60	3,33	2,00	40,00	24,00
24 V DC	20,00	28,00	1,26	0,77	30,30	18,18
All technical data are at 20°C / at 120 °C the performance are less 20% All electromagnetetic clutches are reversible.						

eleodinamica

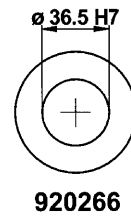
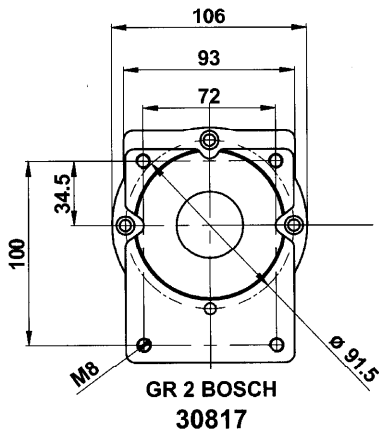
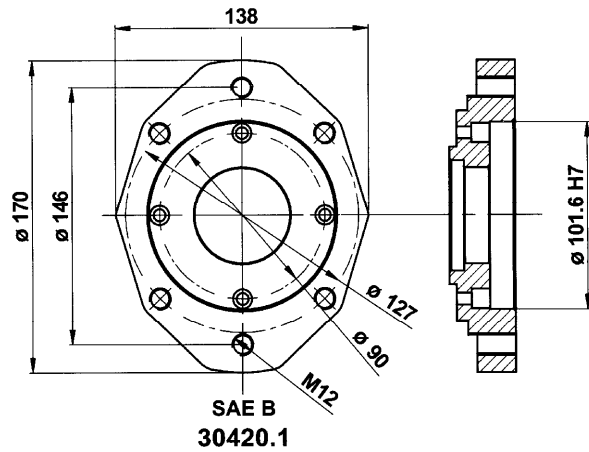
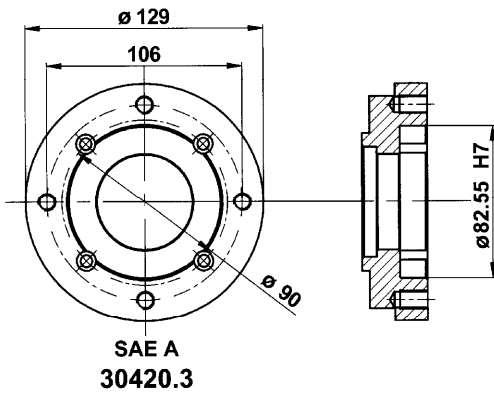
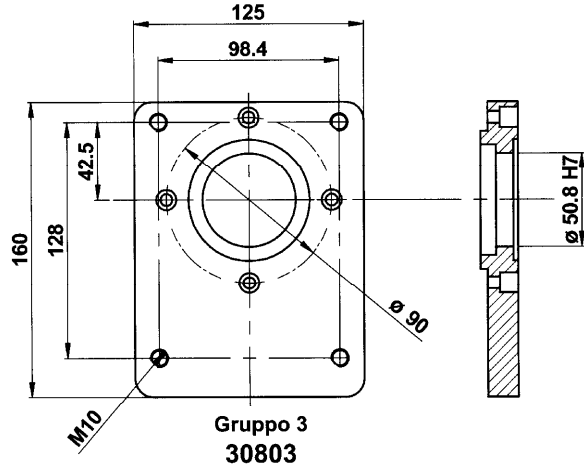
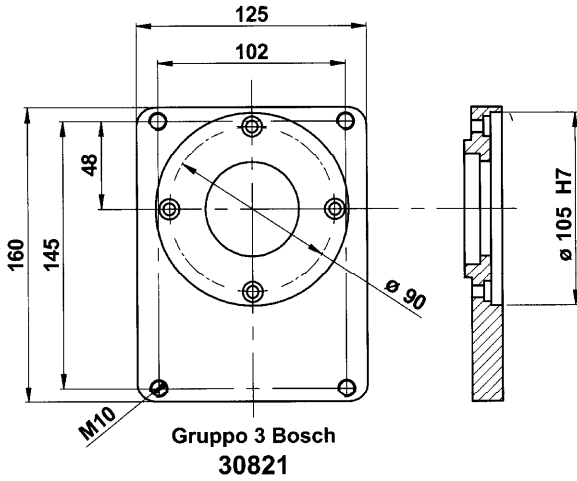
borelli

FLANGE PER INNESTI ELETTROMAGNETICI 14 daNm

BRIDE POUR EMBRAYAGES ELECTROMAGNETIQUE 14 daNm

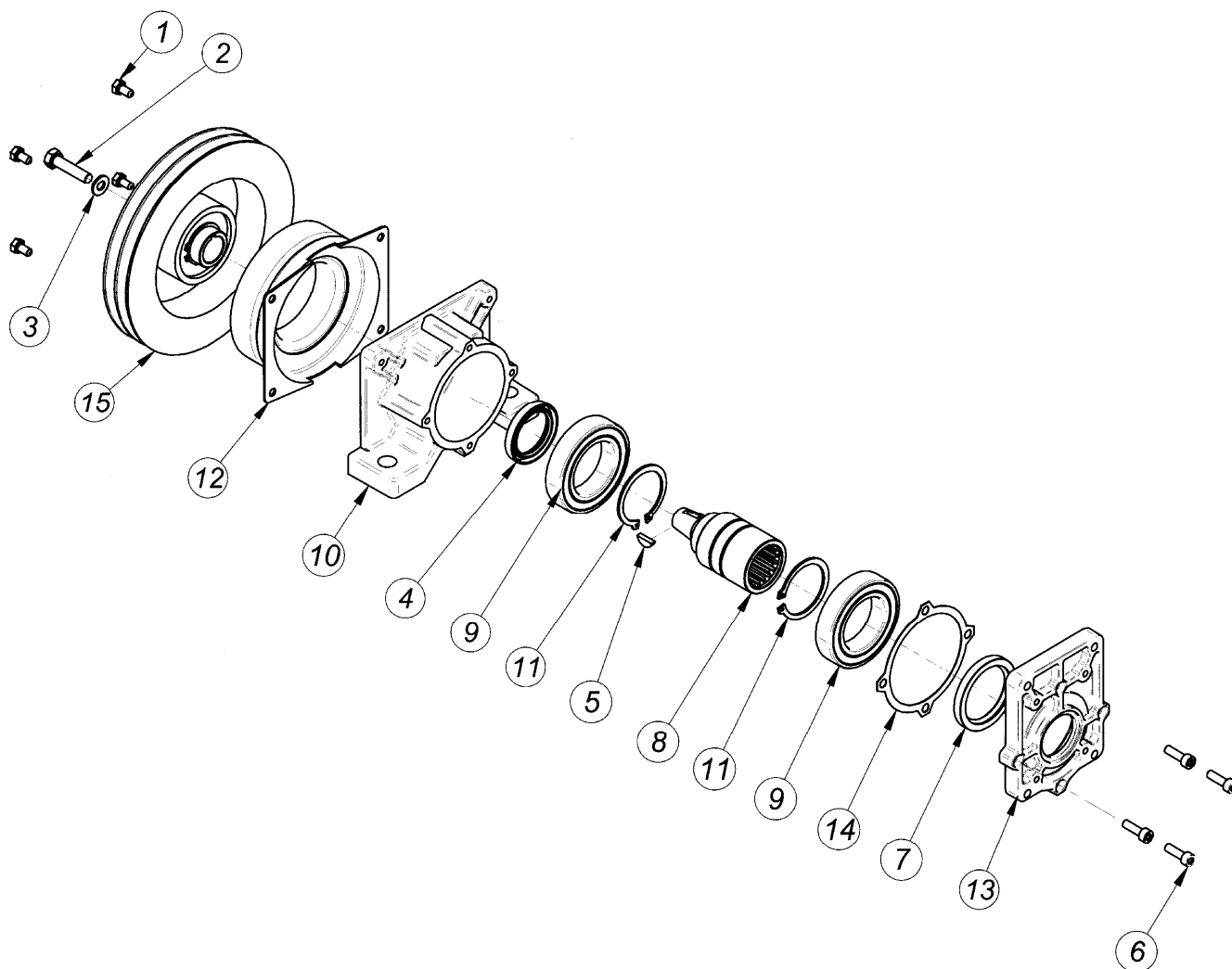
FLANGES FOR ELECTROMAGNETIC COUPLINGS 14 daNm

FLANSCHEN FÜR ELEKTROMAGNETISCHE SCALTKUPPLUNGEN 14 daNm



CODICE, CODE, CODE No., CODENUMMER

Electric absorption	FLANGIA: TIPO, BRIDE: TYPE, FLANGE: TYPE, FLANSCHTYPE				
	Gr.2 BOSCH	Gr.3	Gr. 3 BOSCH	SAE A	SAE B
12 Volt	30929/2B	30931	30931/3B	30929/SA	30929/SB
24 Volt	30930/2B	30932	30932/3B	30930/SA	30930/SB



Pos.	CODICE	DENOMINAZIONE	DENOMINATION	DESCRIPTION	BEZEICHNUNG	Q.TA'
1	611428	Vite EN 24017 M6x12	Vis EN24017 M6x12	Soket EN 24017 M6x12	Befestigungsschraube EN 24017 M6x12	4
2	610516	Vite EN 24017 M8x35	Vis EN 24017 M8x35	Socket EN 24017 M8x35	Befestigungsschraube EN 24017 M8x35	1
3	RSPAL8	Rosetta per M8	Rondelle D.8	Washer d.8	Rosette durchm 8	1
4	303550	Anello di tenuta 35x50x7	Bague d'etancheite 35x50x7	Sealing ring 35x50x7	Dichtring 35x50x7	1
5	700465	Linguetta UNI 6606 4x6.5	Languetta UNI 6606 4x6.5	Woodruff key UNI 6606 4x6.5	Halbrundkeil UNI 6606 4x6.5	1
6	610620	Vite T.C.E.I M6x20	Vis T.C.H.C. M6x20	Socket capscrew M6x20	Befestigungsschraube UNI 5931 M6x20	4
7	304560	Anello di tenuta 45x60x7	Bague d'etancheite 45x60x7	Sealing ring 45x60x7	Dichtring 45x60x7	1
8	A30901	Albero	Arbre	Shaft	Welle	1
9	506009/ZZ	Cuscinetto 6009 2rs	Palier SKF 6009 2RS	Bearing SKF 6009 2RS	Kugellager SKF 6009-2RS	2
10	30009.1	Scatola	Carcasse	Housing	Gehäuse	1
11	904500	Anello elastico d.45	Circlip d.45	Snap ring d.45	Seegerring d.45	2
12	401214/175 402414/175	Bobina	Bobine	Coil	Zundspule	1
13	30900.1	Flangia per pompe Gr 1 - 2	Flasque puor pompes Gr 1 - 2	Flange for pumps Gr 1 - 2	Flansch fur pompe Gr 1- 2	1
14	30009.1.1	Guarnizione	Joint	Gasket	Dichtung	1
15	4014/175P	Elettrofrizione	Electro-embayage	Electric clutch	Elektroschaltkupplung	1