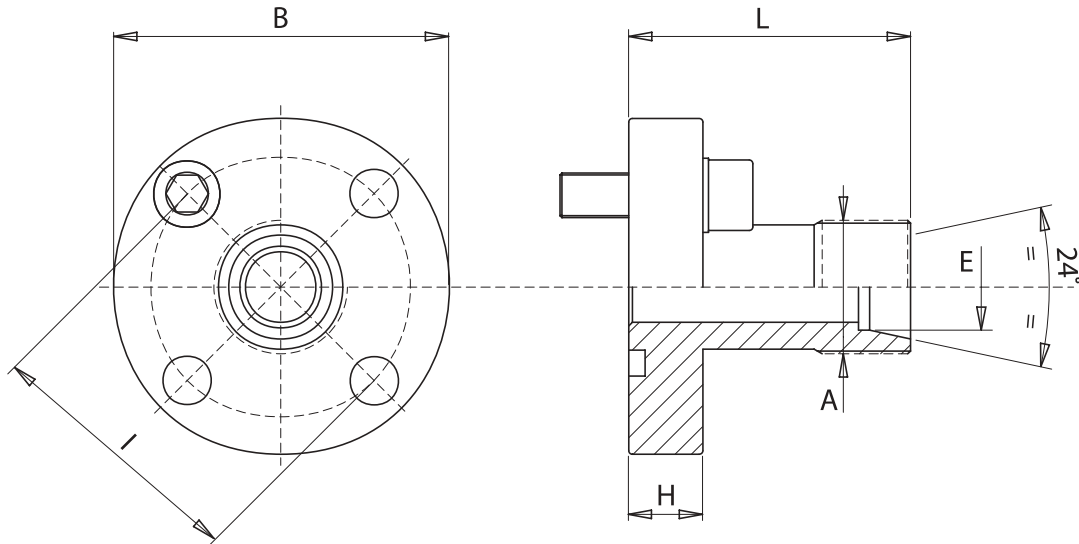


Raccordo RDA

RDA coupling DIN 2353 type



Materiale: Acciaio (zincato bianco)
Material: Steel (white zinc plated)



Press. max bar	Tipo Type	I	B	A	E	H	L	Screws	Viti O-Rings
315	RDA 35/10L	35	46	M16x1.5	10	8	30	M6x20	3075
315	RDA 35/12L	35	46	M18x1.5	12	8	30	M6x20	3075
250	RDA 35/15L	35	46	M22x1.5	15	8	30	M6x20	3075
315	RDA 35/16S	35	46	M24x1.5	16	8	30	M6x20	3075
100	RDA 40/15L	40	52	M22x1.5	15	8	35	M6x20	3100
100	RDA 40/18L	40	52	M26x1.5	18	8	35	M6x20	3100
250	RDA 40/20S	40	52	M30x2	20	8	35	M6x20	3100
100	RDA 40/22L	40	52	M30x2	22	8	35	M6x20	3100
100	RDA 40/28L	40	52	M36x2	28	8	40	M6x20	3100
250	RDA 55/20S	55	70	M30x2	20	12	50	M8x25	3125
250	RDA 55/25S	55	70	M36x2	25	12	50	M8x25	3125
250	RDA 55/30S	55	70	M42x2	30	12	50	M8x25	3125
100	RDA 55/35L	55	70	M45x2	35	12	50	M8x25	3125

Esempio codice di ordinazione - Ordering example

RDA 40/18L - M K

Raccordo
Coupling

Su richiesta: - Under request:
Dado e ogiva - Nut and ring

Viti metriche, rondelle, O-Rings
Metrical screws, washers, O-Rings
(zincate bianche - white zinc plated)