

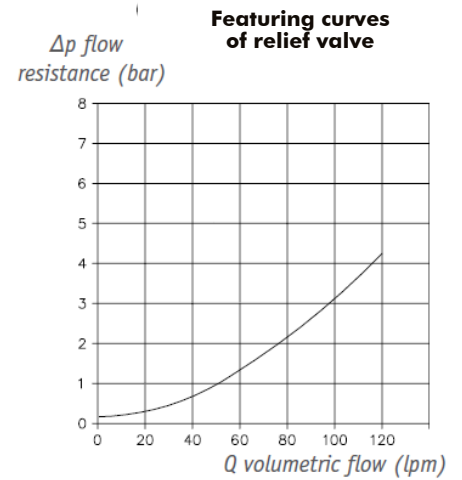
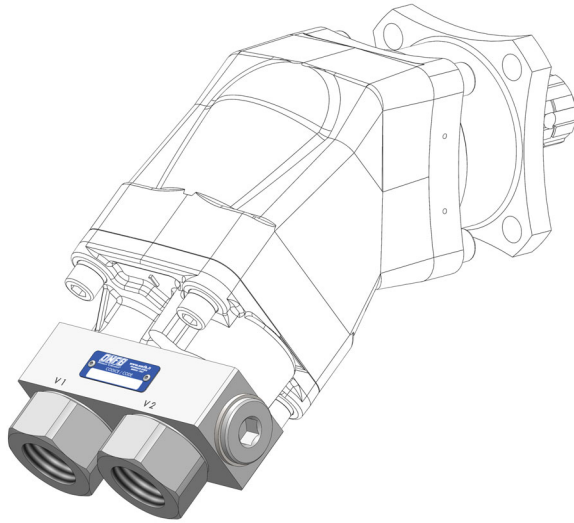
PLATE COMPLETE WITH UNIDIRECTIONAL ANTI-CAVITATION VALVE G 1

12403136044

MOTORI HPM3
Displacement **40-47-55-64**

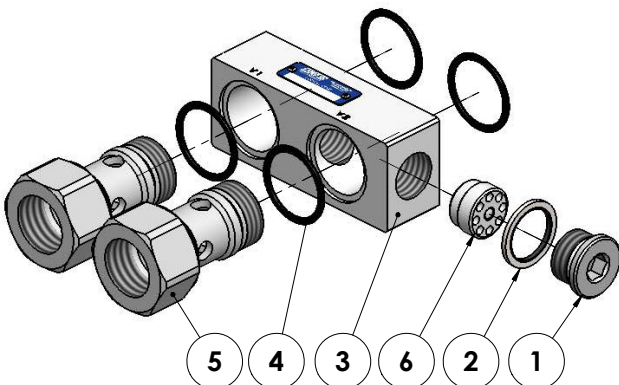
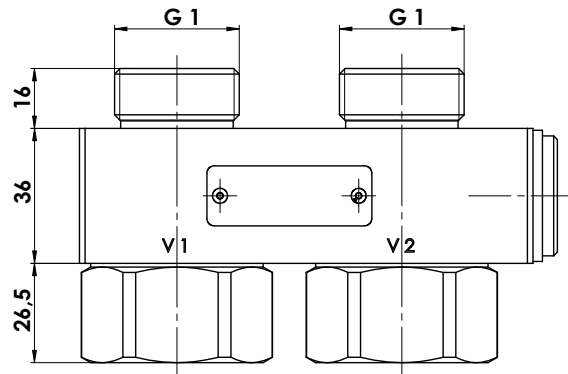
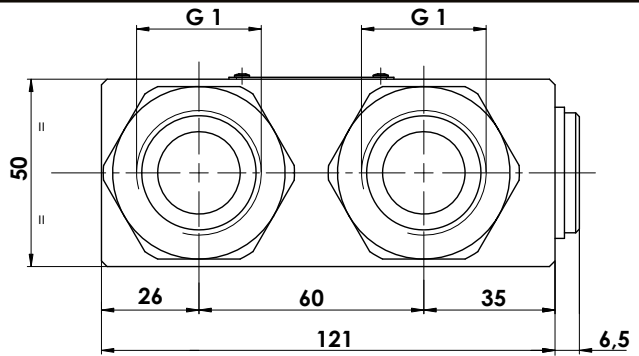
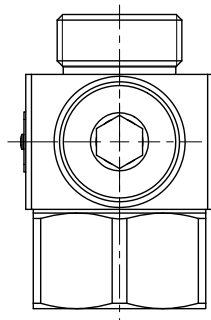
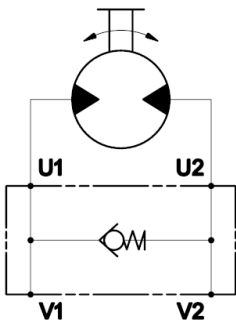
09/03/2021

99740024411



23/10/2017

99712403131 Rev: //



Pos.	Code	Description	Q.
1	11500600144	Plug G 3/4 DIN908	1
2	11600910343	Steel/rubber washer G 3/4	1
3	52000000703	Panel	1
4	50600603143	Gasket OR 3143 FKM/FPM	4
5	54000500537	Plug G 1	2
6	12402910208	Valve G 3/4 L=17.5	1

pag.111