

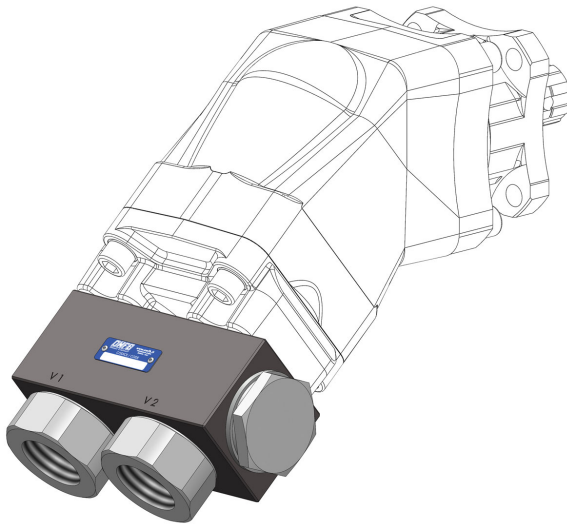
PLATE COMPLETE WITH UNIDIRECTIONAL ANTI-CAVITATION VALVE G 1-1/4

12403137650

MOTORI HPM3
Displacement **80-108-130**

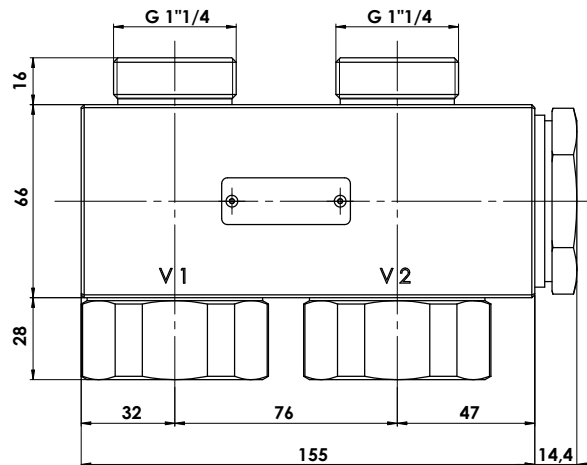
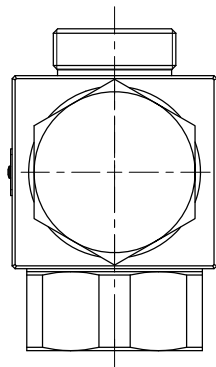
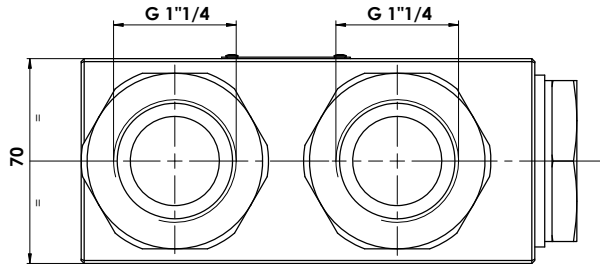
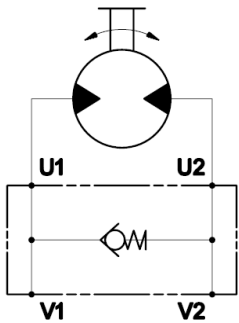
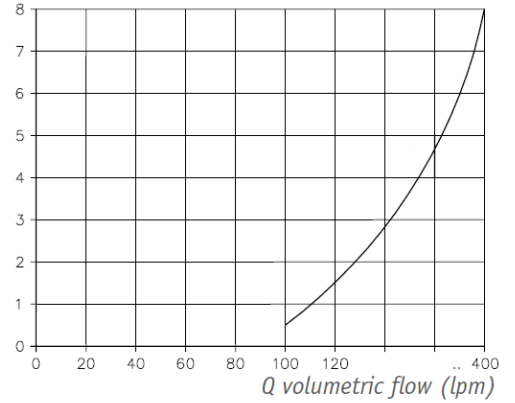
09/03/2021

99740024411



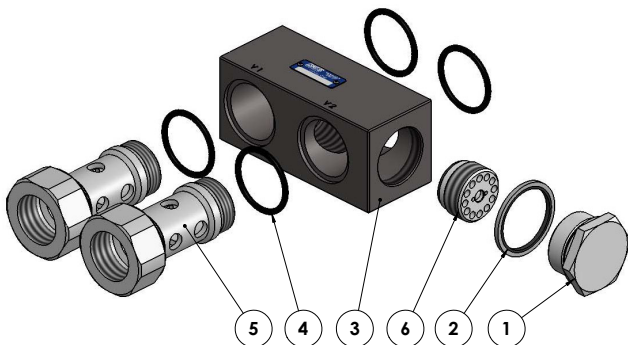
Δp flow
resistance (bar)

Featuring curves
of relief valve



23/10/2017

99712403141 Rev: //



Pos.	Code	Description	Q.
1	54000200174	Plug G 1-1/2	1
2	11600911208	Steel/rubber washer G 1-1/2	1
3	52000000678	Panel	1
4	50600600145	Gasket OR 150 FKM/FPM	4
5	54000500493	Plug G 1-1/4	2
6	12402910253	Valve G 1-1/4 L=27.5	1

pag.113