

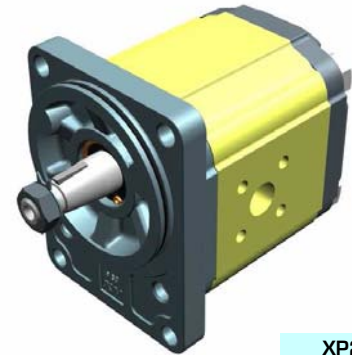
unidirectional pump - series XV

XV-2P

STANDARD GERMAN PUMP
ø80 FLANGE - TAPER SHAFT

X 2 P 51 42 F S R A

| | | |
|--------------|-----|---|
| Series | X | series XV |
| Group | 2 | group 2 |
| Category | P | unidirectional pump |
| Displacement | 51 | 17 |
| Flange | 42 | Ø80 GERMAN STANDARDIZED right rotation (with OR) |
| Shaft | F | CO002 - Tapered 1:5 - ø17.4 - M12x1.5 - key thk.3 |
| Body | IN | inlet - Ø40 a 45° Ø20 M6 |
| | OUT | outlet - Ø35 a 45° Ø15 M6 |
| Cover | A | standard |



XP217

Technical data table

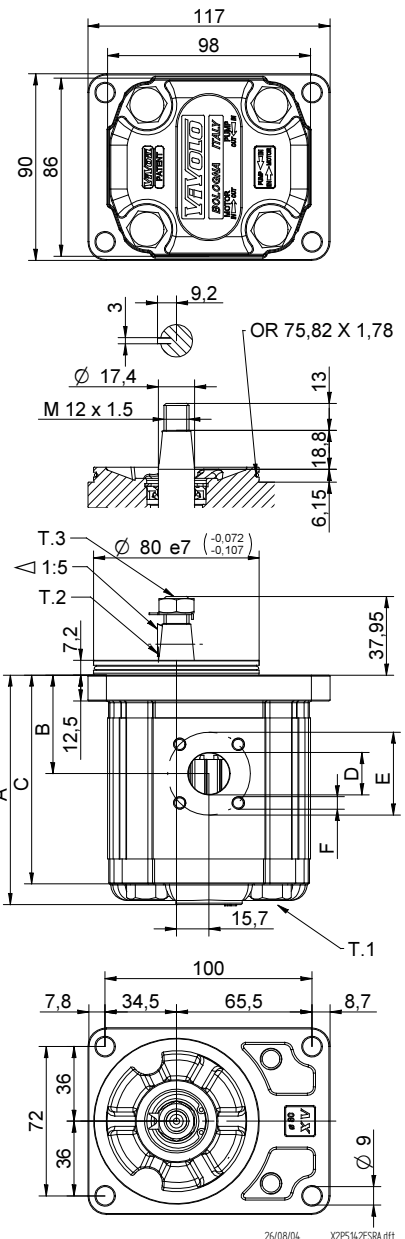
| TYPE | Displacement cm3/rev | Max. Pressure | | CODE | |
|----------|-------------------------|---------------|--------|---------------------|---------------------|
| | | P1 bar | P3 bar | Left rotation | Right rotation |
| XV-2P/04 | 4,20 | 260 | 300 | X 2 P 41 41 F S R A | X 2 P 41 42 F S R A |
| XV-2P/06 | 6,00 | 260 | 300 | X 2 P 43 41 F S R A | X 2 P 43 42 F S R A |
| XV-2P/09 | 8,40 | 260 | 300 | X 2 P 45 41 F S R A | X 2 P 45 42 F S R A |
| XV-2P/11 | 10,80 | 260 | 300 | X 2 P 47 41 F S R A | X 2 P 47 42 F S R A |
| XV-2P/14 | 14,40 | 250 | 290 | X 2 P 49 41 F S R A | X 2 P 49 42 F S R A |
| XV-2P/17 | 16,80 | 230 | 270 | X 2 P 51 41 F S R A | X 2 P 51 42 F S R A |
| XV-2P/19 | 19,20 | 210 | 250 | X 2 P 53 41 F S R A | X 2 P 53 42 F S R A |
| XV-2P/22 | 22,80 | 200 | 240 | X 2 P 55 41 F S R A | X 2 P 55 42 F S R A |
| XV-2P/26 | 26,20 | 170 | 210 | X 2 P 57 41 F S R A | X 2 P 57 42 F S R A |
| XV-2P/30 | 30,00 | 160 | 200 | X 2 P 59 41 F S S A | X 2 P 59 42 F S S A |
| XV-2P/34 | 34,20 | 150 | 190 | X 2 P 61 41 F S S A | X 2 P 61 42 F S S A |
| XV-2P/40 | 39,60 | 140 | 180 | X 2 P 63 41 F S S A | X 2 P 63 42 F S S A |

P1) Max. working pressure - P3) Max. peak pressure

For heavy-duty applications, it is recommended to check the admissible torque of the shaft

Dimensions table

| TYPE | Weight kg | A | B | C | D | E | F | D | E | F |
|----------|--------------|-------|------|-------|-----|----|-------|-----|----|------|
| | | mm | mm | mm | IN | | | OUT | | |
| XV-2P/04 | 2,330 | 89,7 | 41,1 | 79,7 | ø20 | 40 | M6x1 | ø15 | 35 | M6x1 |
| XV-2P/06 | 2,430 | 92,7 | 41,1 | 82,7 | ø20 | 40 | M6x2 | ø15 | 35 | M6x1 |
| XV-2P/09 | 2,530 | 96,7 | 43,1 | 86,7 | ø20 | 40 | M6x3 | ø15 | 35 | M6x1 |
| XV-2P/11 | 2,630 | 100,7 | 47,5 | 90,7 | ø20 | 40 | M6x4 | ø15 | 35 | M6x1 |
| XV-2P/14 | 2,730 | 106,7 | 47,5 | 96,7 | ø20 | 40 | M6x5 | ø15 | 35 | M6x1 |
| XV-2P/17 | 2,830 | 110,7 | 47,5 | 100,7 | ø20 | 40 | M6x6 | ø15 | 35 | M6x1 |
| XV-2P/19 | 2,930 | 114,7 | 47,5 | 104,7 | ø20 | 40 | M6x7 | ø15 | 35 | M6x1 |
| XV-2P/22 | 3,180 | 120,7 | 55,0 | 110,7 | ø20 | 40 | M6x8 | ø15 | 35 | M6x1 |
| XV-2P/26 | 3,280 | 124,7 | 55,0 | 114,7 | ø20 | 40 | M6x9 | ø15 | 35 | M6x1 |
| XV-2P/30 | 3,530 | 132,7 | 63,2 | 122,7 | ø20 | 40 | M6x10 | ø20 | 40 | M6x1 |
| XV-2P/34 | 3,730 | 139,7 | 63,2 | 129,7 | ø20 | 40 | M6x11 | ø20 | 40 | M6x1 |
| XV-2P/40 | 3,930 | 148,7 | 63,2 | 138,7 | ø20 | 40 | M6x12 | ø20 | 40 | M6x1 |



T.1 = 54÷58.9 [Nm] - screw tightening torque M10

T.3 = 40 [Nm] - torque wrench setting 19

T.2 = 233.2 [Nm] - admissible shaft torque (N.B. When choosing a shaft, always check the admissible torque).

Table of variations

XV-2P

ø80 FLANGE

| ø80 FLANGE | | Shaft | | Cover | |
|---------------|----------------|---|---|---------------|----------------|
| Left rotation | Right rotation | | | Left rotation | Right rotation |
| | | CI001 - Parallel T.2 = 44.1 [Nm] | CI002 - Parallel T.2 = 67.5 [Nm] | | |
| 41 | 42 | A | B | A | A |
| | | CO001 - Tapered T.2 = 233.2 [Nm] | CO002 - Tapered T.2 = 233.2 [Nm] | | |
| | | E | F | B | B |
| | | SCF03 - Splined T.2 = 86.1 [Nm] | | | |
| | | H | | C | C |
| | | | | | |
| | | | | D | D |
| | | | | | |
| | | | | N | N |
| | | | | | |
| | | | | O | O |
| | | | | | |
| | | | | Z | Z |

| Displacement | | Standard bodies | | | | | | | |
|--------------|-----------|----------------------|------------------|-------|-------|-------|-------|-------|--|
| TYPE | CODE | Displacement cm3/rev | Standard threads | | | | | | |
| XV-2P/04 | 41 | 4 | O - O | S - R | B - B | L - M | Z - Z | Z - Z | |
| XV-2P/06 | 43 | 6 | O - O | S - R | B - B | L - M | Z - Z | Z - Z | |
| XV-2P/09 | 45 | 9 | O - O | S - R | B - B | L - M | Z - Z | Z - Z | |
| XV-2P/11 | 47 | 11 | O - O | S - R | B - B | L - M | Z - Z | Z - Z | |
| XV-2P/14 | 49 | 14 | P - O | S - R | C - B | L - M | Z - Z | Z - Z | |
| XV-2P/17 | 51 | 17 | P - O | S - R | C - B | L - M | Z - Z | Z - Z | |
| XV-2P/19 | 53 | 19 | P - O | S - R | C - B | L - M | Z - Z | Z - Z | |
| XV-2P/22 | 55 | 22 | P - O | S - R | C - B | L - M | Z - Z | Z - Z | |
| XV-2P/26 | 57 | 26 | Q - P | S - R | D - C | L - M | Z - Z | Z - Z | |
| XV-2P/30 | 59 | 30 | Q - P | S - S | D - C | L - M | Z - Z | Z - Z | |
| XV-2P/34 | 61 | 34 | Q - P | S - S | D - C | L - M | Z - Z | Z - Z | |
| XV-2P/40 | 63 | 40 | Q - P | S - S | D - C | L - M | Z - Z | Z - Z | |

Table showing standard flange and thread combinations available in stock

| Body (threads/flanges) | | | | | | | | | | | | | |
|------------------------|----------|--|----------|--|----------|--|----------|--|----------|--|----------|--|----------|
| | A | | B | | C | | D | | E | | F | | G |
| | H | | I | | L | | M | | N | | O | | P |
| | Q | | R | | S | | T | | U | | V | | Z |