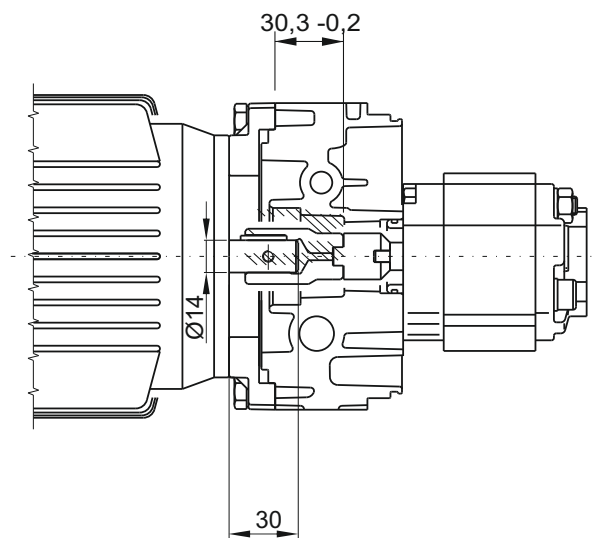


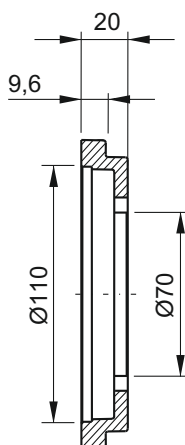
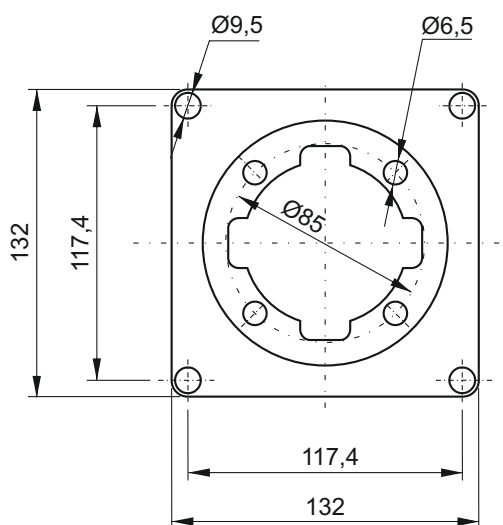
MOUNTING KIT FOR FRAME 71 B14 MOTORS



Kit weight: 0,32 Kg



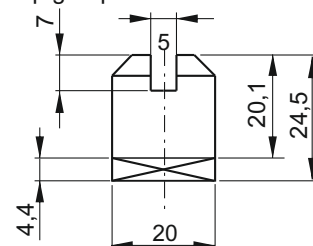
Adaptor flange



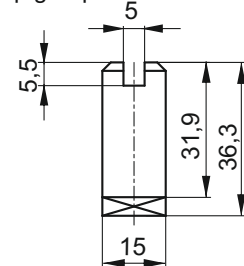
Weight: 0,18 Kg

Coupling

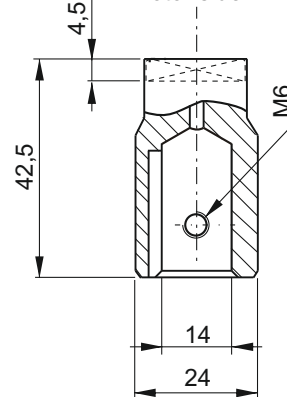
Pump group 1 side **E36100000**



Pump group 0 side **E36100006**



Motor side



Description	PPC assembly code*	Spare part code
B14 71 motor side semi-coupling	XB1471 -0 (gr.0) -1 (gr.1)	E36100001
B14 pump side semi-coupling		E36100006 E36100000
B14 71 adaptor flange		F27010001

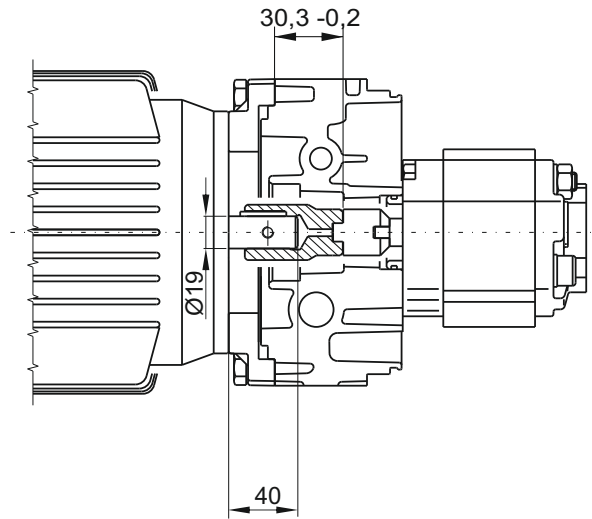
* Note: the coupling+ flange kit is already included when specifying a B14 motor in PPC assembly code. XB14-71 code to be indicated only when ordering PPC with no motor but with coupling + flange kit.

Attention! When assembling frame 71 B14 motors with X-B14 flange + couplings kit, please respect following positioning measures. Failing to do so can cause malfunctioning or components failure.

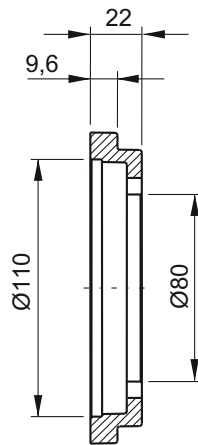
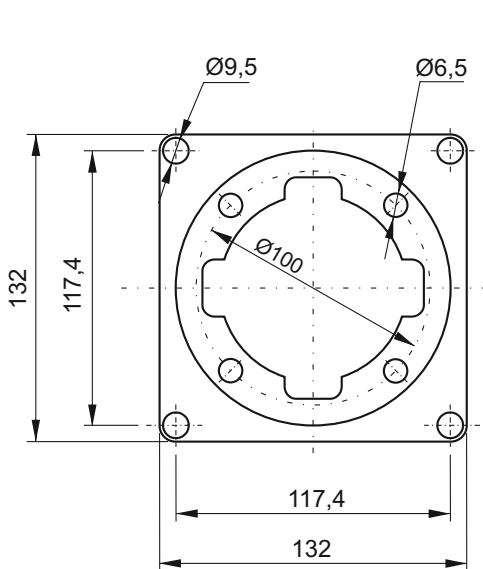
MOUNTING KIT FOR FRAME 80 B14 MOTORS



Kit weight: 0,36 Kg



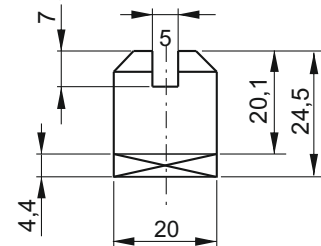
Adaptor flange



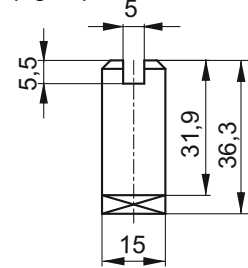
Weight: 0,21 Kg

Coupling

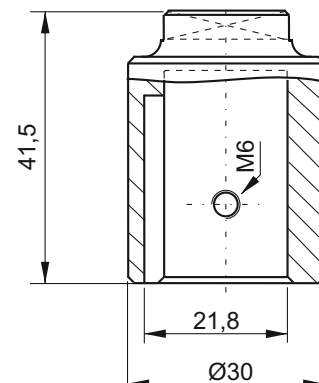
Pump group 1 side **E36100000**



Pump group 0 side **E36100006**



Motor side



Description	PPC assembly code*	Spare part code
B14 80 motor side semi-coupling	XB1480 -0 (gr.0) -1 (gr.1)	E36100002
B14 pump side semi-coupling		E36100006 E36100000
B14 80 adaptor flange		F27010002

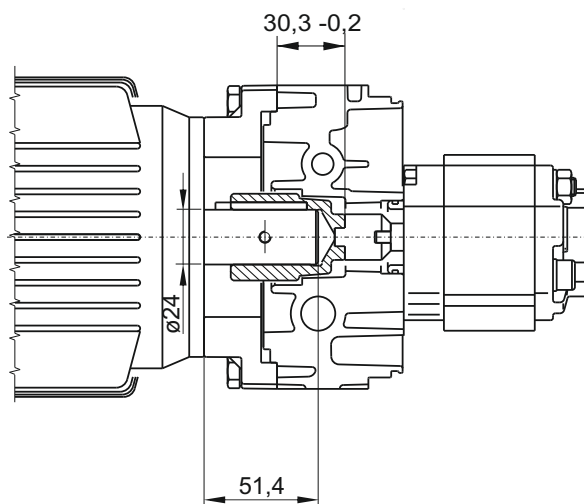
* Note: the coupling+ flange kit is already included when specifying a B14 motor in PPC assembly code. XB14-80 code to be indicated only when ordering PPC with no motor but with coupling + flange kit.

Attention! When assembling frame 80 B14 motors with X-B14 flange + couplings kit, please respect following positioning measures. Failing to do so can cause malfunctioning or components failure.

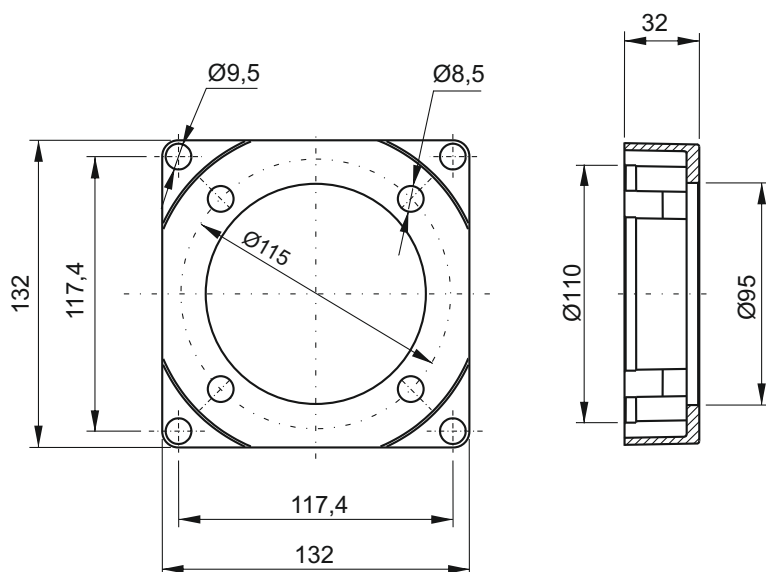
MOUNTING KIT FOR FRAME 90 B14 MOTORS



Kit weight: 0,59 Kg

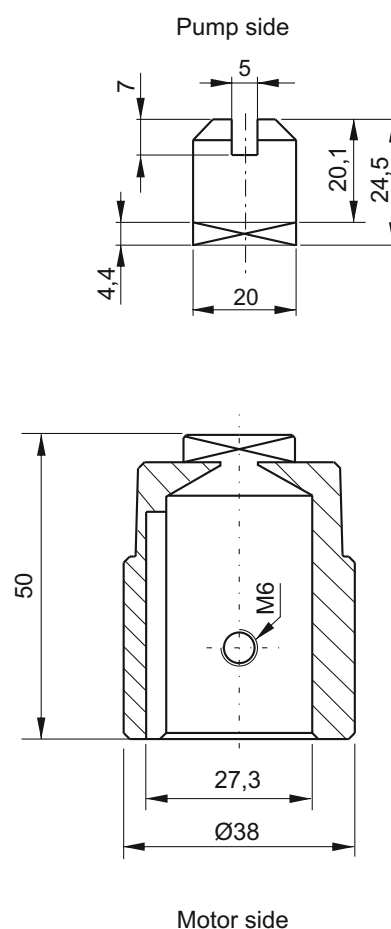


Adaptor flange



Weight: 0,35 Kg

Coupling



Description	PPC assembly code*	Spare part code
B14 90 motor side semi-coupling	XB1490	E36100003
B14 pump side semi-coupling		E36100000
B14 90 adaptor flange		F27010003

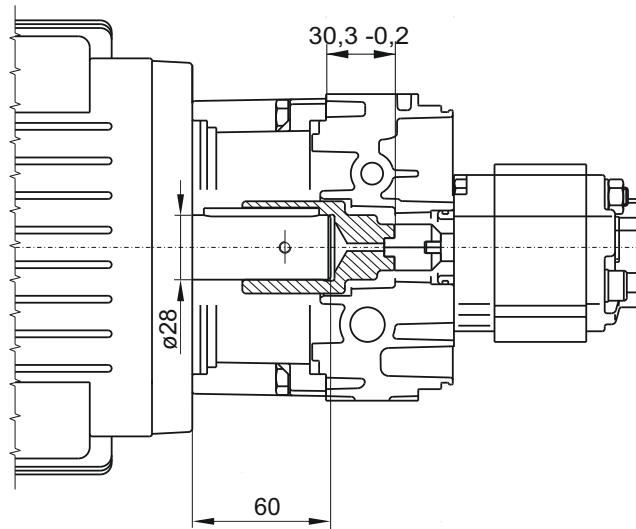
* Note: the coupling+ flange kit is already included when specifying a B14 motor in PPC assembly code. XB14-90 code to be indicated only when ordering PPC with no motor but with coupling + flange kit.

Attention! When assembling frame 90 B14 motors with X-B14 flange + couplings kit, please respect following positioning measures. Failing to do so can cause malfunctioning or components failure.

MOUNTING KIT FOR FRAME 100/112 B14 MOTORS

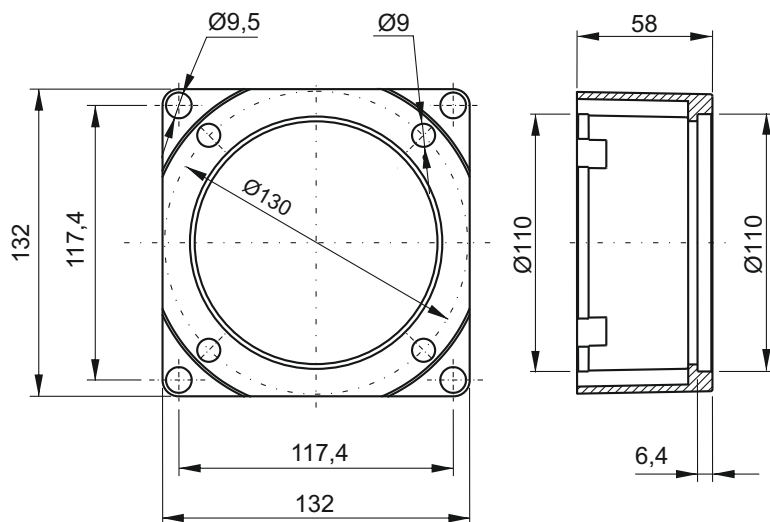


Kit weight: 0,99 Kg

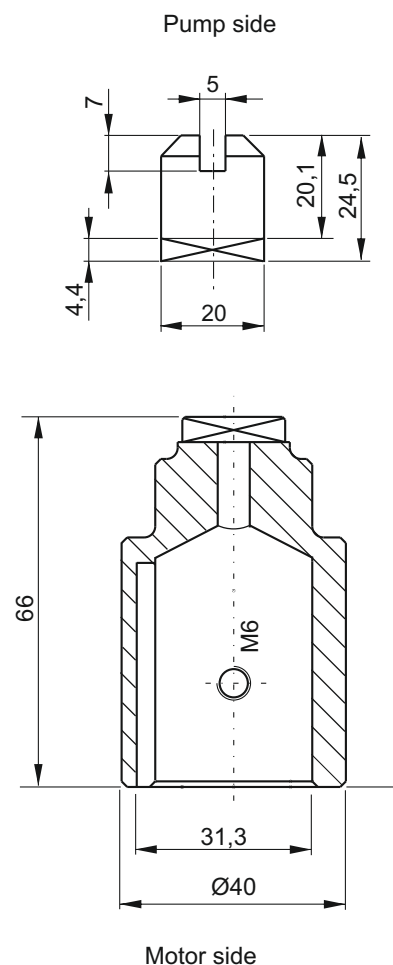


Adaptor flange

Coupling



Weight: 0,66 Kg



Description	PPC assembly code*	Spare part code
B14 100 motor side semi-coupling	XB14100	E36100004
B14 pump side semi-coupling		E36100000
B14 100 adaptor flange		F27010004

* Note: the coupling+ flange kit is already included when specifying a B14 motor in PPC assembly code. XB14-100 code to be indicated only when ordering PPC with no motor but with coupling + flange kit.

Attention! When assembling frame 100/112 B14 motors with X-B14 flange + couplings kit, please respect following positioning measures. Failing to do so can cause malfunctioning or components failure.