

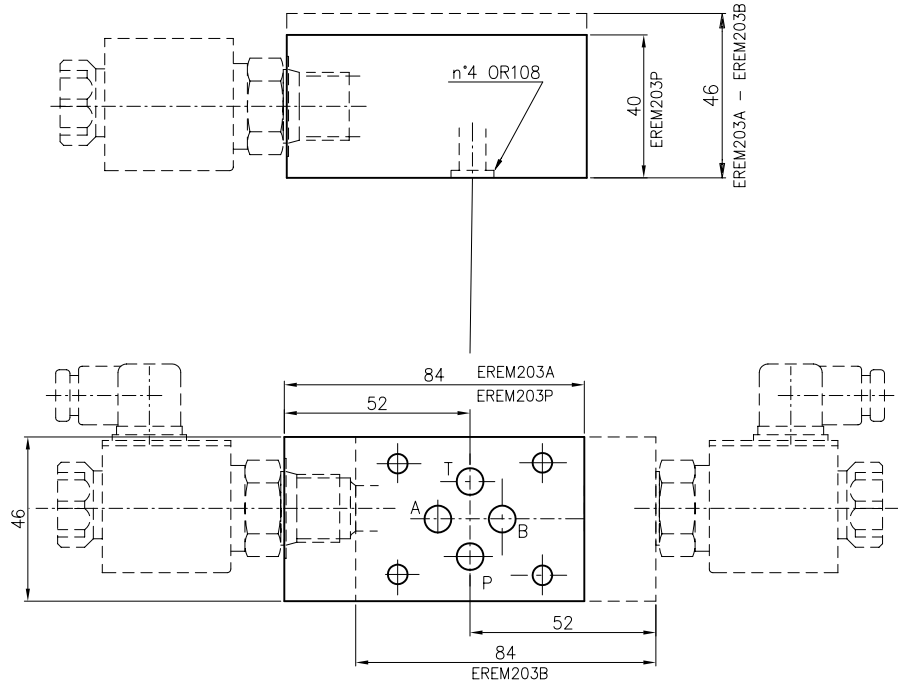
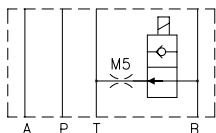
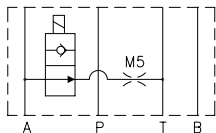
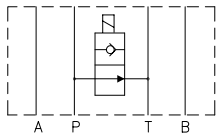
PACKING PLATE TYPE EREM203... AND TYPE EVB3....
PLATTE TYP EREM203... UND TYP EVB3.....



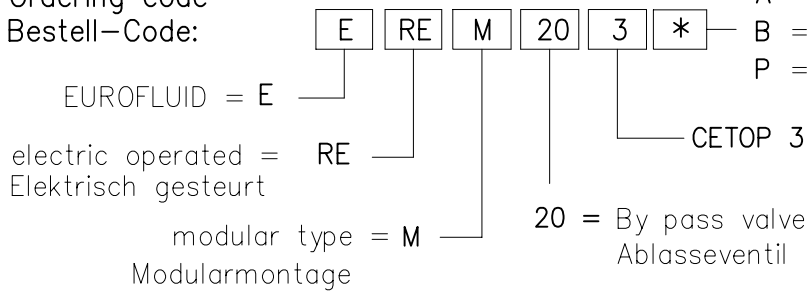
Modular electric operated by-pass valve. Weight 1.1 Kg

Elektrisch gesteuertes Ablasseventil fuer Modularmontage. Gewicht 1.1 Kg

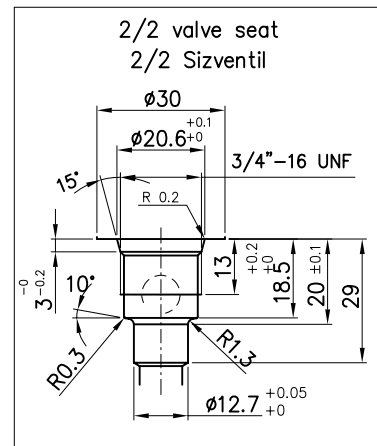
Hydr. symbol
Symbol



Ordering code
Bestell-Code:



- A = valve on/ventil fuer A
- B = valve on/ventil fuer B
- P = valve on/ventil fuer P



VALVES
VENTILE