

POMPE AD INGRANAGGI 4 FORI-ISO 1° POMPA

CODICE FAMIGLIA
FAMILY CODE

105-023

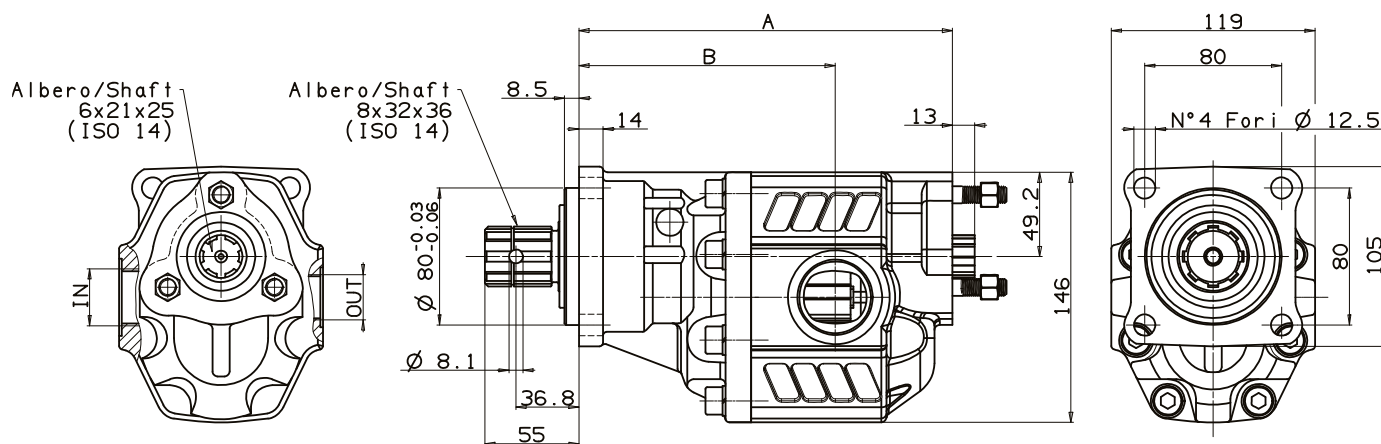
4 HOLES-ISO HYDRAULIC GEAR PUMPS

TANDEM NPH ISO



Codice fascicolo: 997-400-10510

Fluido idraulico Fluid	Minerale o sintetico compatibile con guarnizioni: Mineral or synthetic compatible with the following seals: NBR, FKM, FPM, Nylon				
Viscosità cinematica consigliata Kinematic viscosity suggested	T media ambiente (°C) Average ambient temp. (°C)	< -10	-10 ÷ 10	10 ÷ 35	> 35
	VG (cSt = mm ² /s)	22	32	46	68
Viscosità cinematica ottimale di esercizio Optimale kinematic viscosity		VG = 10 cSt ÷ 100 cSt			
Viscosità cinematica max consentita all'avviamento Max kinematic viscosity suggested at the start-up		VG = 750 cSt			
Indice di viscosità consigliato Viscosity index suggested	VI > 100	Temperatura di esercizio Working temperature -15°C +100°C			
Grado di filtrazione Oil filtering		> 200 bar: 10 µm < 200 bar: 25 µm			
Pressione di aspirazione Inlet pressure		-0,3 ÷ 2 bar			
Senso di rotazione Pump rotation		Unidirezionale (DX o SX) Unidirectional (Right or Left)			



Data: Lunedì 7 dicembre 2015

Tipo pompa Pump type	Rotazione Rotation		IN ISO 228	OUT ISO 228	A mm	B mm	Peso Weight Kg
	Destra Right	Sinistra Left					
NPH-17	105-023-10179	105-023-10188	G 1/2		180	119	10.6
NPH-22	105-023-10222	105-023-10231			183.5	121.5	11
NPH-27	105-023-10277	105-023-10286			186	124	11.5
NPH-34	105-023-10348	105-023-10357	G 3/4		191	124	12.5
NPH-43	105-023-10437	105-023-10446			197	130	13
NPH-51	105-023-10517	105-023-10526			202	130.5	13.5
NPH-61	105-023-10615	105-023-10624	G 1		208	136.5	14
NPH-73	105-023-10731	105-023-10740			216	135.5	14.5
NPH-82	105-023-10820	105-023-10839			221	142.5	14.9

Codice foglio: 997-105-02305 Rev. A1

PREDISPOSTA PER 2^A POMPA CON FLANGIA UNI
READY FOR 2ND PUMP WITH UNI FLANGE

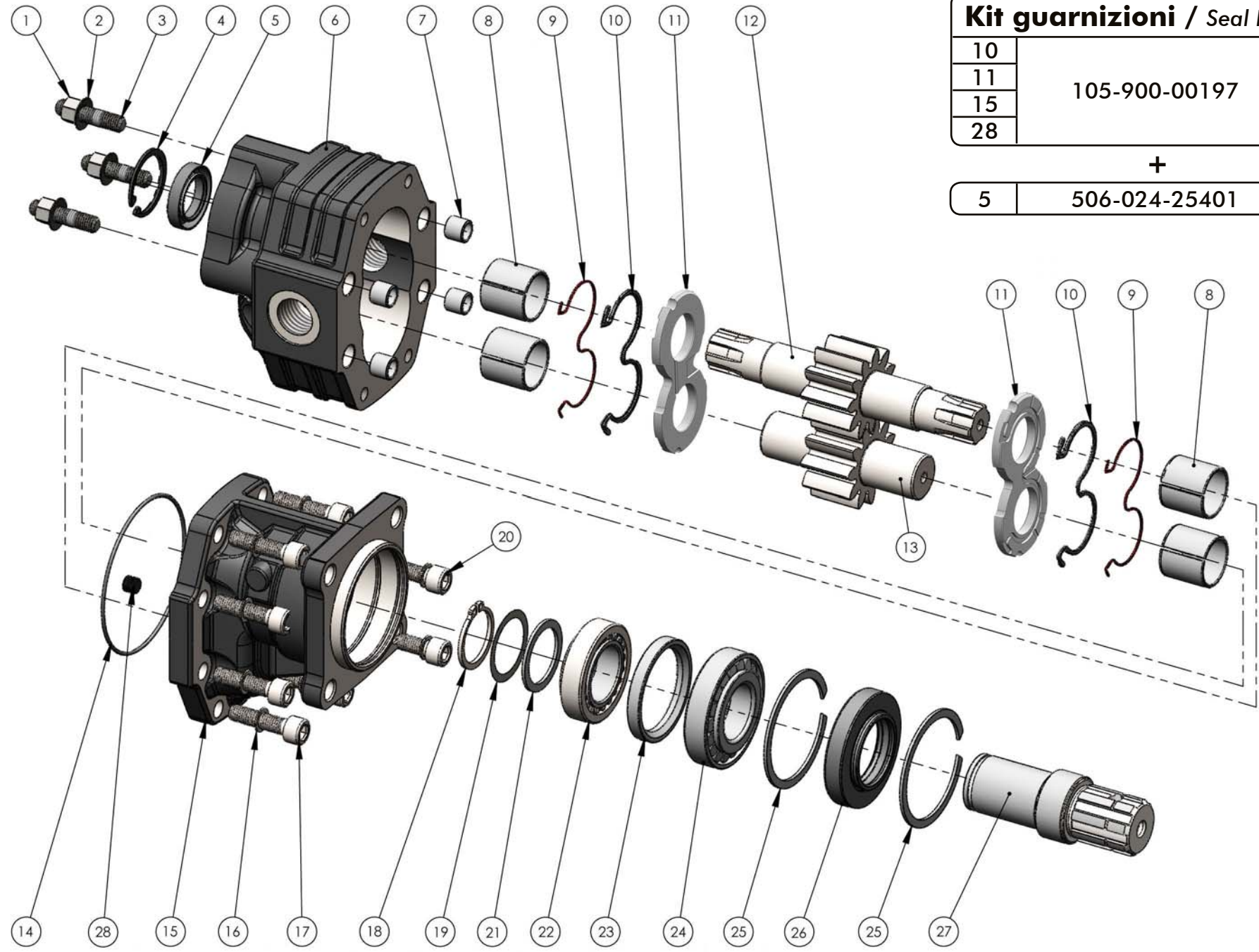
pag.93



O.M.F.B. S.p.A. Hydraulic Components
We reserve the right to make any changes without notice.
Edition 2003.03 No reproduction, however partial, is permitted.
Via Cave, 7/9 25050 Provaglio d'Iseo (Brescia) Italy Tel.: +39.030.9830611
Fax: +39.030.9839207-208 Internet: www.omfb.it e-mail: info@omfb.it

COMPANY WITH
QUALITY SYSTEM
CERTIFIED BY DNV GL
= ISO/TS 16949 =

Kit guarnizioni / Seal Kit	
10	105-900-00197
11	
15	
28	
+	
5	506-024-25401



COMPANY WITH
QUALITY SYSTEM
CERTIFIED BY DNV GL
= ISO/TS 16949 =

O.M.F.B. S.p.A. Hydraulic Components
We reserve the right to make any changes without notice.
Edition 2003.03 No reproduction, however partial, is permitted.
Via Core, 7/9 25050 Prosecco d'Isèo (Brescia) Italy Tel.: +39 030 9830611
Fax: +39 030 9839207-208 Internet: www.omfb.it e-mail: info@omfb.it

pag.94





O.M.F.B. S.p.A. Hydraulic Components
 We reserve the right to make any changes without notice.
 Edition 2003.03 No reproduction, however partial, is permitted.
 Via Cive, 7/9 25050 Poveglio d'Isèo (Brescia) Italy Tel.: +39 030 9830617
 Fax: +39 030 9839207-208 Internet:www.omfb.it e-mail:info@omfb.it

pag. 95

COMPANY WITH
 QUALITY SYSTEM
 CERTIFIED BY DNV GL
 = ISO/TS 16949 =

N° N°	17	22	27	34	43	51	61	73	82	Codice P. Number	Descrizione Description	Quantità Quantity	
1	•	•	•	•	•	•	•	•	•	505-004-00014	Dado M10 CH14 H10	Nut M10 CH14 H10	3
2	•	•	•	•	•	•	•	•	•	501-018-00105	Rondella elastica	Washer	3
3	•	•	•	•	•	•	•	•	•	503-004-00198	Prigioniero M10x30	Stud bolt M10x30	3
4	•	•	•	•	•	•	•	•	•	501-001-00373	Anello elastico	Circlip	1
5	•	•	•	•	•	•	•	•	•	506-024-25401	Guarnizione paraolio	Oil seal	1
6	•	•	•	•	•	•	•	•	•	517-009-00175	Corpo pompa	Gear housing	1
	•	•	•	•	•	•	•	•	•	517-009-00228			
	•	•	•	•	•	•	•	•	•	517-009-00273			
	•	•	•	•	•	•	•	•	•	517-009-00344			
	•	•	•	•	•	•	•	•	•	517-009-00433			
	•	•	•	•	•	•	•	•	•	517-009-00513			
	•	•	•	•	•	•	•	•	•	517-009-00611			
7	•	•	•	•	•	•	•	•	•	501-003-00282	Spine forate di centraggio 14x12.5	Pins 14x12.5	4
8	•	•	•	•	•	•	•	•	•	533-004-00033	Boccola autolub. 28x32x30	Bushing 28x32x30	4
9	•	•	•	•	•	•	•	•	•	506-000-01097	Guarnizione antiestrusione	Back-up ring	2
10	•	•	•	•	•	•	•	•	•	506-000-01088	Guarnizione per rasamento	Thrust plate seal	2
11	•	•	•	•	•	•	•	•	•	510-010-00293	Rasamento ad occhio	Thrust plate	2
12	•	•	•	•	•	•	•	•	•	523-022-00176	Albero dentato conduttore	Drive shaft	1
	•	•	•	•	•	•	•	•	•	523-022-00229			
	•	•	•	•	•	•	•	•	•	523-022-00274			
	•	•	•	•	•	•	•	•	•	523-022-00345			
	•	•	•	•	•	•	•	•	•	523-022-00434			
	•	•	•	•	•	•	•	•	•	523-022-00514			
	•	•	•	•	•	•	•	•	•	523-022-00612			
13	•	•	•	•	•	•	•	•	•	523-022-00710	Albero dentato condotto	Albero dentato condotto	1
•	•	•	•	•	•	•	•	•	•	523-024-00174			
•	•	•	•	•	•	•	•	•	•	523-024-00227			
•	•	•	•	•	•	•	•	•	•	523-024-00272			
•	•	•	•	•	•	•	•	•	•	523-024-00343			
•	•	•	•	•	•	•	•	•	•	523-024-00432			
•	•	•	•	•	•	•	•	•	•	523-024-00512			
14	•	•	•	•	•	•	•	•	•	506-000-01579	Guarnizione OR	O-Ring	1
15	•	•	•	•	•	•	•	•	•	518-003-00116	Coperchio anteriore	Mounting cover	1
16	•	•	•	•	•	•	•	•	•	501-020-00101	Rondella elastica	Washer	8
17	•	•	•	•	•	•	•	•	•	502-004-00574	Vite TCE M10x40	Screw M10x40	8
18	•	•	•	•	•	•	•	•	•	501-000-01355	Anello seeger	Seeger ring	1
19	•	•	•	•	•	•	•	•	•	529-007-00226	Rondella speciale 45x32x0,2	Special washer 45x35x0,2	1
20	•	•	•	•	•	•	•	•	•	502-004-00565	Vite TCE M10x35	Screw M10x35	4
21	•	•	•	•	•	•	•	•	•	529-007-00208	Rondella speciale 45x35x2	Special washer 45x35x2	1
22	•	•	•	•	•	•	•	•	•	510-002-00202	Cuscinetto a rulli conici 35x62x18	Tapered roller bearing 35x62x18	1
23	•	•	•	•	•	•	•	•	•	530-004-00164	Distanziale 52x64,2x8,25	Spacer 52x64,2x8,25	1
24	•	•	•	•	•	•	•	•	•	510-002-00211	Cuscinetto a rulli conici 35x72x18,25	Tapered roller bearing 35x72x18,25	1
25	•	•	•	•	•	•	•	•	•	501-000-02729	Anello elastico	Circlip	2
26	•	•	•	•	•	•	•	•	•	506-008-42723	Guarnizione paraolio	Oil seal	1
27	•	•	•	•	•	•	•	•	•	114-005-00147	Manicotto	Coupling	1
28	•	•	•	•	•	•	•	•	•	504-010-00063	Grano conico 1/8"	Plug 1/8"	1

CARATTERISTICHE TECNICHE DI FUNZIONAMENTO - TECHNICAL FEATURES

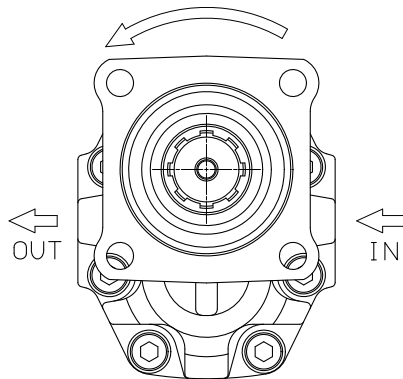
Tipo pompa Pump type	Cilindrata Displacement cm ³ /rev	Pressione Pressure			Velocità max. continua Max. continuous speed rpm	Velocità max. intermittente Max. intermittent speed rpm	Velocità min. Min. speed rpm
		P1 bar	P2 bar	P3 bar			
NPH-17	17.04	290	315	325	2500	3000	300
NPH-22	22.15						
NPH-27	26.18						
NPH-34	33.88	280	300	310	2200	2800	
NPH-43	43.12	270	290	300	2000	2500	
NPH-51	50.82	240	260	280			
NPH-61	60.06	220	240	250	1800	2000	
NPH-73	72.88	200	220	230	1600	1800	
NPH-82	81.08	190	210	220	1500		

P1=Pressione max.continua (100%)
 P2=Pressione max. intermittente (20 sec.max.)
 P3=Pressione max. di punta (6 sec.max.)

Max. continuous pressure
 Max. Intermittent pressure
 Max. peak pressure

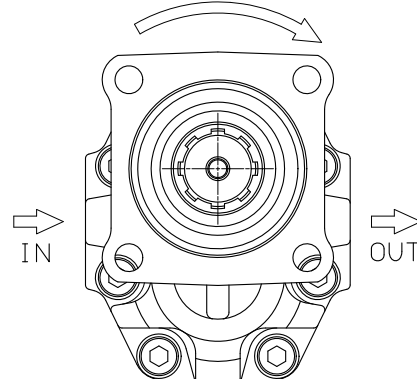
SENSO DI ROTAZIONE POMPA - DIRECTION OF ROTATION

Rotazione antioraria, pompa sinistra
 Anti-clockwise rotation, left pump



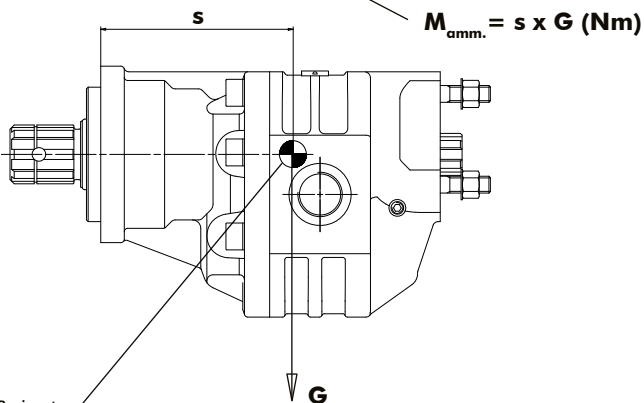
Vista FRONTALE
FRONT

Rotazione oraria, pompa destra
 Clockwise rotation, right pump



Vista FRONTALE
FRONT

MOMENTO PESO / MASS MOMENT



G=Peso in N (Peso in Kg x 9.81)
 G=Weight in N (Weight in Kg x 9.81)

Tipo pompa - Pump type	S
NPH-17	92
NPH-22	94
NPH-27	98
NPH-34	100
NPH-43	103
NPH-51	105
NPH-61	108
NPH-73	112
NPH-82	115

PER MODIFICARE IL SENSO DI ROTAZIONE VEDERE ISTRUZ. 997-2-60

TO CHANGE THE DIRECTION OF ROTATION SEE INSTRUCTION 997-2-60