

POMPA AD INGRANAGGI NPH SAE "B" NPH SAE "B" GEAR PUMP

CODICE FAMIGLIA
FAMILY CODE

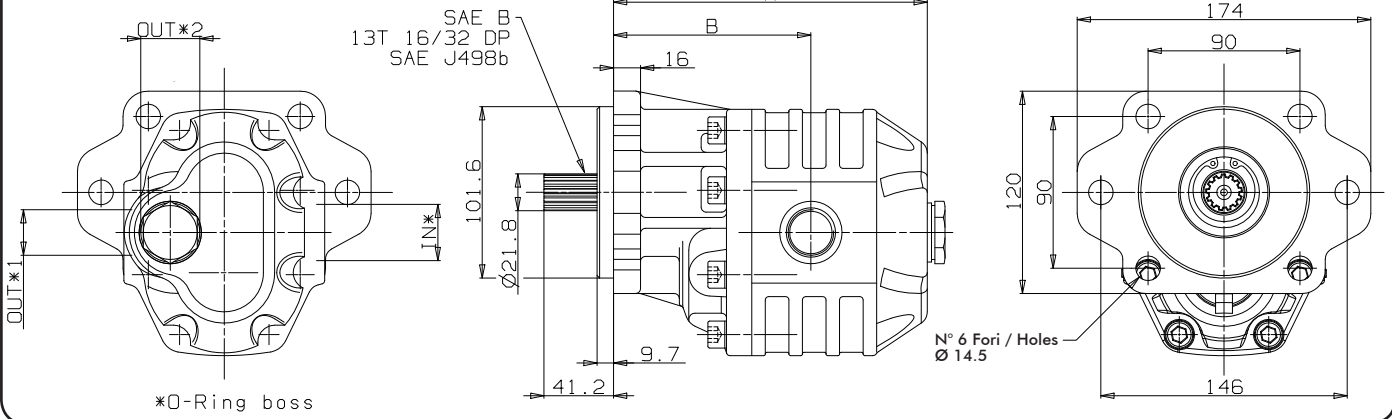
105-035
105-935

NPH SAE "B"



Fluido idraulico Fluid	Minerale o sintetico compatibile con guarnizioni: Mineral or synthetic compatible with the following seals: NBR, FKM, FPM, Nylon				
Viscosità cinematica consigliata Kinematic viscosity suggested	T media ambiente (°C) Average ambient temp. (°C)	< -10	-10÷10	10÷35	> 35
	VG (cSt = mm ² /s)	22	32	46	68
Viscosità cinematica ottimale di esercizio Optimale kinematic viscosity			VG= 10 cSt ÷ 100 cSt		
Viscosità cinematica max consentita all'avviamento Max kinematic viscosity suggested at the start-up			VG= 750 cSt		
Indice di viscosità consigliato Viscosity index suggested	VI > 100	Temperatura di esercizio Working temperature -15°C +100°C			
Grado di filtrazione Oil filtering			> 200 bar: 10 µm < 200 bar: 25 µm		
Pressione di aspirazione Inlet pressure			-0,3 ÷ 2 bar		
Senso di rotazione Pump rotation			Unidirezionale (DX o SX) Unidirectional (Right or Left)		

Dimensions in mm



Tipo pompa Pump type	Rotazione / Rotation		IN	SAE	OUT 1 OUT 2	SAE	IN	OUT 1	OUT 2	A	B	Peso Kg Weight	A	B	Peso lb Weight
	Destra / Right	Sinistra / Left													
NPH-17 SAE-B	105-035-00177	105-035-00186	3/4-16 UNF - 2B	8	3/4-16 UNF - 2B	8				150	101	12	5,91	3,98	26.4
	105-935-00178	105-935-00187					G 1/2"	G 1/2"	G 1/2"						
NPH-22 SAE-B	105-035-00220	105-035-00239	3/4-16 UNF - 2B	8	3/4-16 UNF - 2B	8				153.5	103	12.3	6.04	4.11	27.1
	105-935-00221	105-935-00230					G 1/2"	G 1/2"	G 1/2"						
NPH-27 SAE-B	105-035-00275	105-035-00284	1 1/16-12 UN - 2B	12	3/4-16 UNF - 2B	8				156	105.5	12.4	6.14	4.15	27.3
	105-935-00276	105-935-00285					G 3/4"	G 1/2"	G 1/2"						
NPH-34 SAE-B	105-035-00346	105-035-00355	1 1/16-12 UN - 2B	12	1 1/16-12 UN - 2B	12				161	106.5	12.5	6.34	4.19	27.5
	105-935-00347	105-935-00356					G 3/4"	G 3/4"	G 3/4"						
NPH-43 SAE-B	105-035-00435	105-035-00444	1 1/16-12 UN - 2B	12	1 1/16-12 UN - 2B	12				167	111.5	13.3	6.57	4.39	29.3
	105-935-00436	105-935-00445					G 3/4"	G 3/4"	G 3/4"						
NPH-51 SAE-B	105-035-00515	105-035-00524	1 5/16-12 UN - 2B	16	1 1/16-12 UN - 2B	12				172	112	13.5	6.77	4.41	29.7
	105-935-00516	105-935-00525					G 1"	G 3/4"	G 3/4"						
NPH-61 SAE-B	105-035-00613	105-035-00622	1 5/16-12 UN - 2B	16	1 1/16-12 UN - 2B	12				178	118	14	7.01	4.65	30.8
	105-935-00614	105-935-00623					G 1"	G 3/4"	G 3/4"						
NPH-73 SAE-B	105-035-00739	105-035-00748	1 5/16-12 UN - 2B	16	1 1/16-12 UN - 2B	12				186	117	14.5	7.32	4.61	31.9
	105-935-00730	105-935-00749					G 1"	G 3/4"	G 3/4"						
NPH-82 SAE-B	105-035-00828	105-035-00837	1 5/8-12 UN - 2B	20	1 1/16-12 UN - 2B	12				191	122	15	7.52	4.80	33
	105-935-00829	105-935-00838					G1-1/4"	G 3/4"	G 3/4"						

pag.1

CARATTERISTICHE TECNICHE DI FUNZIONAMENTO

Tipo pompa	Cilindrata cm ³ /rev	Pressione			Velocità max. continua rpm	Velocità max. intermittente rpm	Velocità minima rpm
		P1 bar	P2 bar	P3 bar			
NPH-17 SAE-B	17.04	290	315	325	2500	3000	300
NPH-22 SAE-B	22.15						
NPH-27 SAE-B	26.18						
NPH-34 SAE-B	33.88	280	300	310	2200	2800	
NPH-43 SAE-B	43.12	270	290	300	2000	2500	
NPH-51 SAE-B	50.82	240	260	280			
NPH-61 SAE-B	60.06	220	240	250	1800	2000	
NPH-73 SAE-B	72.88	200	220	220	1600	1800	
NPH-82 SAE-B	81.08	190	200	200	1500		

TECHNICAL FEATURES

Pump type	Displacement inch ³ /giro	Pressure			Max. continuous speed rpm	Max. intermittent speed rpm	Min. speed rpm
		P1 psi	P2 psi	P3 psi			
NPH-17 SAE-B	1.04	4205	4567,5	4712,5	2500	3000	300
NPH-22 SAE-B	1.35						
NPH-27 SAE-B	1.60						
NPH-34 SAE-B	2.07	4060	4350	4495	2200	2800	
NPH-43 SAE-B	2.63	3915	4205	4350	2000	2500	
NPH-51 SAE-B	3.06	3480	3770	4060			
NPH-61 SAE-B	3.66	3190	3480	3625	1800	2000	
NPH-73 SAE-B	4.45	2900	3190	3190	1600	1800	
NPH-82 SAE-B	4.95	2755	2900	2900	1500		

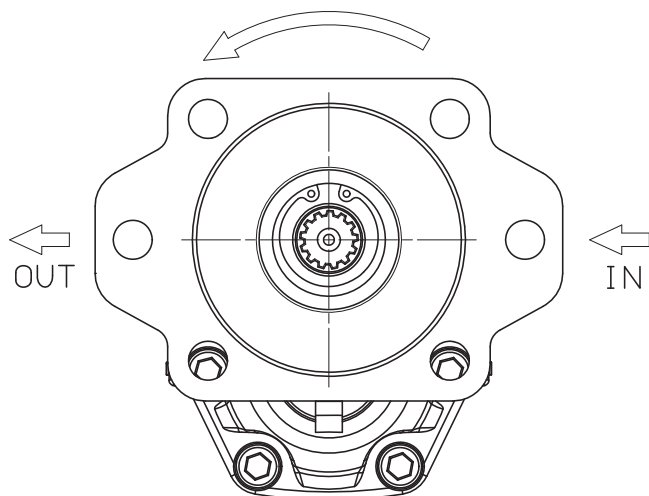
P1=Pressione max. continua
P2=Pressione max. intermittente
P3=Pressione max. di punta

Max. continuous pressure (100%)
Max. Intermittent pressure (20 sec.max.)
Max. peak pressure (6 sec.max.)

SENSO DI ROTAZIONE POMPA

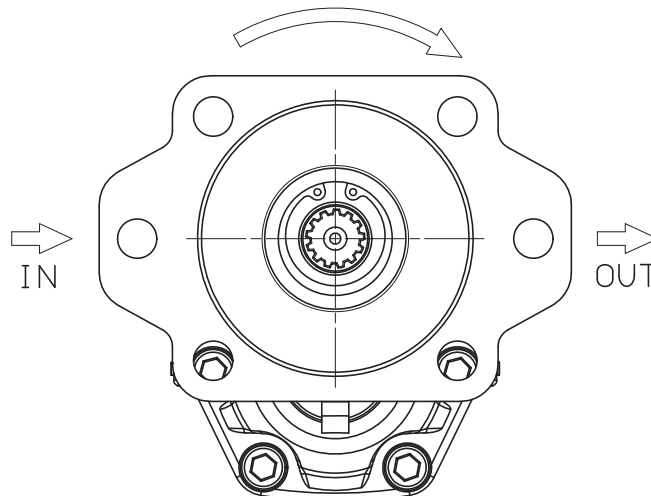
DIRECTION OF ROTATION

Rotazione antioraria, pompa sinistra
Anti-clockwise rotation, left pump



FRONT

Rotazione oraria, pompa destra
Clockwise rotation, right pump



FRONT

pag.2

COMPANY WITH
QUALITY SYSTEM
CERTIFIED BY DNV
= ISO 9001 =

O.M.F.B. S.p.A. Hydraulic Components
We reserve the right to make any changes without notice.
Edition 2012.02 No reproduction, however partial, is permitted.
Via Cave, 7/9 25050 Provaglio d'Iseo (Brescia) Italy Tel.: +39.030.9830611
Fax: +39.030.9839207-208 Internet:www.omfb.it e-mail:info@omfb.it

OMFB
HYDRAULIC COMPONENTS