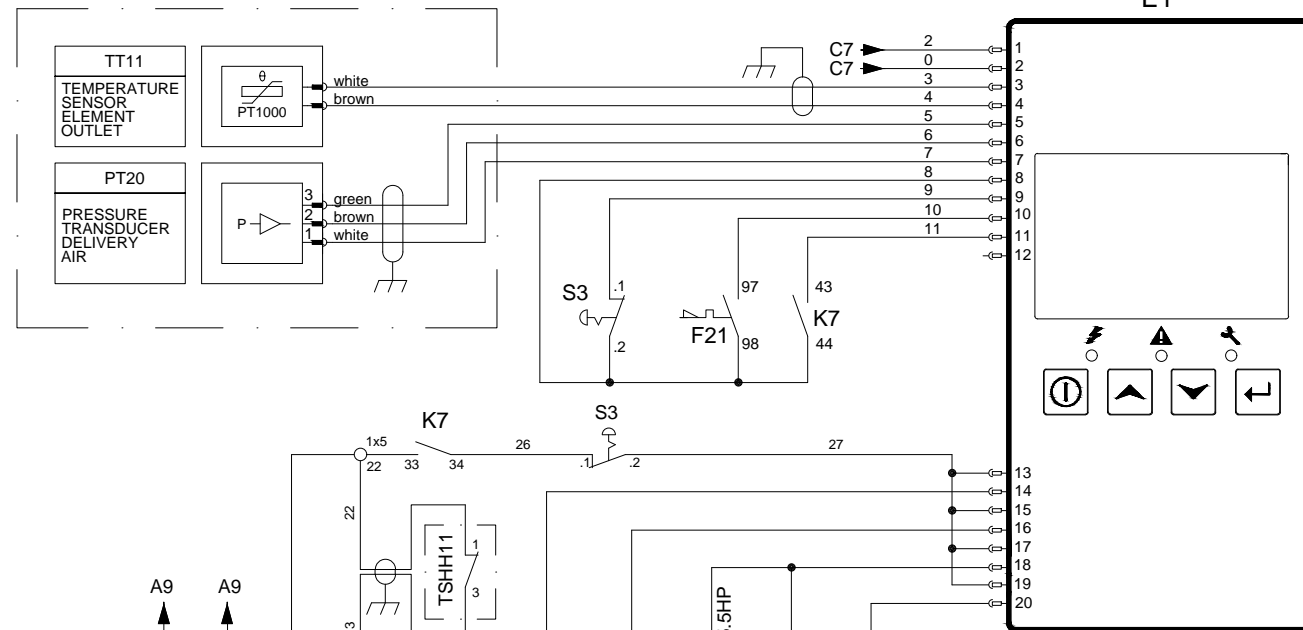
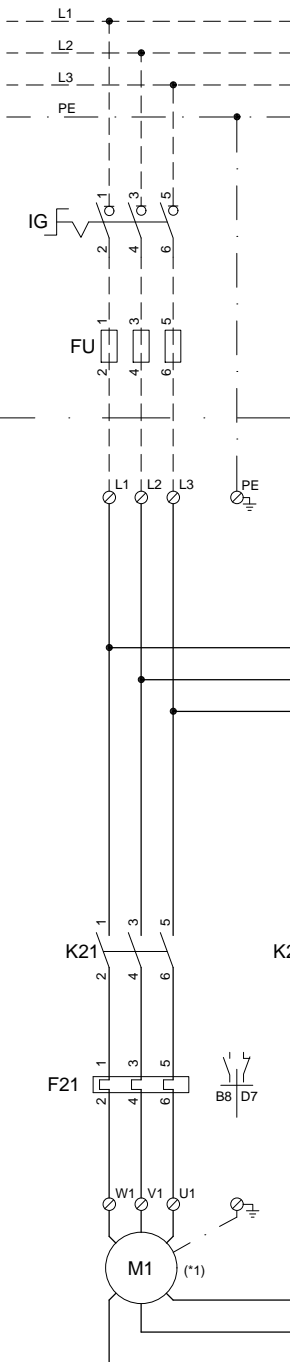
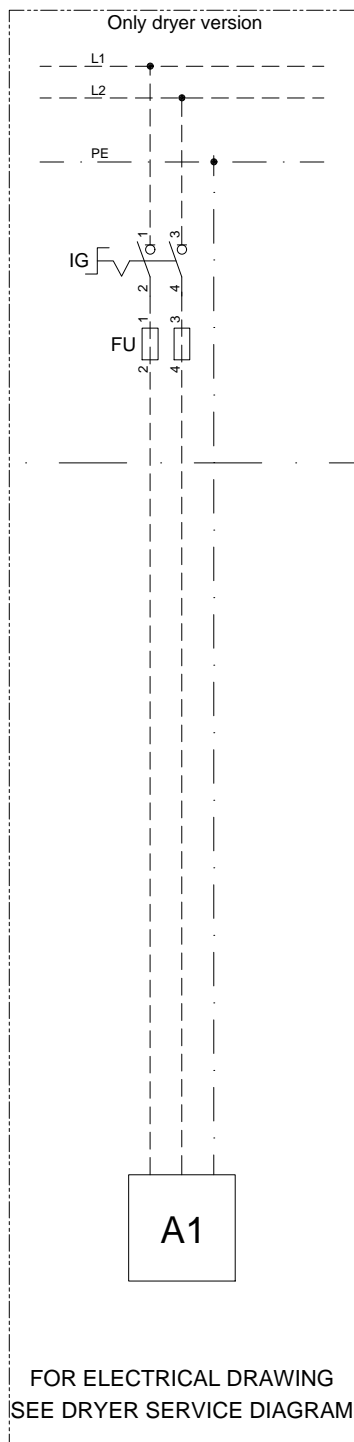


N. 2 SEPARATE SUPPLY LINES TO THE MACHINE

Customer's Installation
COMPULSORY INSTALLATION AT CUSTOMER CARE
 Disconnecter switch (IG) + protection fuses (FU)

Power [HP]	Voltage	Fuses FU gG
5.5	400V	16A
7.5	400V	20A
10	400V	25A
15	400V	32A
20	400V	40A
5.5	230V	25A
7.5	230V	32A
10	230V	40A
15	230V	50A
20	230V	63A
5.5	380V	16A
7.5	380V	20A
10	380V	25A
15	380V	32A
20	380V	40A
5.5	460V	16A
7.5	460V	20A
10	460V	25A
15	460V	32A
20	460V	40A



DIGITAL I/O CONTROLLER (E1)

8	Common DI
9	Emergency stop Input
10	Overload motor Input
11	High temperature air/oil Input
12	Remote start/stop
13 - 14	Star relay Output
15 - 16	Line relay Output
17 - 18	Delta relay Output
19 - 20	Solenoid valve Output (N/A for 5.5HP)

STARTER CUBICLE

K21	Line contactor
K22	Star contactor
K23	Delta contactor
K7	Auxiliary relay
F21	Overload motor protection
Y1	Unload valve
TSHH11	Temperature switch element outlet
TSHH21	Add. temperature switch element outlet
T1	Control transformer
F1	Primary control transf. fuses
F2-3	Secondary control transf. fuses

COMPRESSOR

E1	Controller
S3	Emergency stop
TT11	Temperature sensor PT1000
PT20	Pressure transducer
1x3	Earth terminal board
1x5	Control terminal board
M1	Motor
A1	Dryer

FOR ELECTRICAL DRAWING
SEE DRYER SERVICE DIAGRAM

List Material

Code	DOCUMENT
C43i-C55'i Y-D	2205016060
400V 50Hz	2205016070
230V 50-60Hz	2205016090
380-460V 60Hz	

Power [HP]	Voltage / Frequency	F21 set [A]	Voltage / Frequency	F21 set [A]
5.5	400V / 50Hz	6.5	380V / 60Hz	7.5
7.5	400V / 50Hz	9.0	380V / 60Hz	9.0
10	400V / 50Hz	11.0	380V / 60Hz	11.0
15	400V / 50Hz	16.5	380V / 60Hz	15.5
20	400V / 50Hz	18.0	380V / 60Hz	18.0
5.5	230V / 50Hz	11.0	460V / 60Hz	6.5
7.5	230V / 50Hz	16.0	460V / 60Hz	8.0
10	230V / 50Hz	19.5	460V / 60Hz	10.0
15	230V / 50Hz	28.5	460V / 60Hz	14.5
20	230V / 50Hz	30.5	460V / 60Hz	16.0
5.5	230V / 60Hz	11.0		
7.5	230V / 60Hz	15.0		
10	230V / 60Hz	18.0		
15	230V / 60Hz	27.0		
20	230V / 60Hz	30.0		

Tightening Torque

Terminal	M3.5	M4	M6	M8
Contactor terminal				
Main Recomm. Torque [Nm]	1.5	2.5	4.0	6.0
Aux Recomm. Torque [Nm]	1.2	1.2	1.2	1.2
Transformer terminal	T1	T2	T3	
Recomm. Torque [Nm]	0.5-1.0	0.5-1.0	0.5-1.0	

All materials supplied are in compliance with the requirements of the List of Prohibited Substances

Tolerances, if not indicated, according to:		General tolerances	
		1350K - V	
Name	SERVICE DIAGRAM	C43i-C55'i BC YD IEC	
Material	Not Applicable	Confidentiality class	acc. to 1102 K
Treatment	Not Applicable	Internal	
		ACDE	
Scale	Family	Compare	Drawing owner
Blank wt.	Blank nr.	Replaces	Transferred from
Drawn by	ATLASCOPE/Alafrazarin		CAI
Drawing format	A2	Kg	Fin wt.
Prod checked.	Approved.	Date	07/05/2020 18:51:16
Approved Internal		2205016050	

(*) ATTENTION: THE ROTATION DIRECTION OF THE MOTOR MUST BE COUNTER-CLOCKWISE, SEEN FROM THE COUPLING SIDE.
 ATTENZIONE: IL SENSO DI ROTAZIONE DEL MOTORE DEVE ESSERE ANTIORARIO, VISTO DAL LATO ACCOPLIAMENTO.
 ATTENTION: LE SENSE DE ROTATION DU MOTEUR DOIT ETRE ANTIHORAIRE VU DU COTE D'ACCOUPLLEMENT.
 ACHTUNG: DIE UMDREHUNG RICHTUNG DES MOTORS MUSS GEGENUEHRZEIGERSINN SEIN, GEGEHEN VON DER KUPPLUNG SEITE.
 ATENCION: LA DIRECCION DE LA ROTACION DEL MOTOR DEBE SER A LA IZQUIERDA, CONSIDERADO DEL LADO DE ACOPLAMIENTO.
 ATENCION: O SENTIDO DA ROTACAO DO MOTOR DEVE SER ANTI-HORARIO, VISTO DO LADO DO ACOPLAMENTO.
 AANDACHT: DE RICHTING VAN DE OMWENTELING VAN DE MOTOR MOET LINKSDRAAIEND ZIJN, GEZIEN VAN DE KANT VAN DE KORRELING.
 ВНИМАНИЕ: НАПРАВЛЕНИЕ ВРАЩЕНИЯ МОТОРА ДОЛЖНО БЫТЬ ПРОТИВ ЧАСОВОЙ СТРЕЛКИ, СО СТОРОНЫ СОЕДИНЕНИЯ.

CONFIDENTIAL: This document is property of Atlas Copco AB and shall not without our permission be altered, copied, used for manufacturing or communicated to any other person or company.

Note	Position	Modified from	Date	Intr./Appd.
00		First issue, DN20063300, CID27618.	2020/06/10	A-Friszberg