



KIT LUBE



DISPENSERS



PUMPS



METERS



NOZZLE METERS



NOZZLES

K500

FEATURES

- PRESET FUNCTION
- HIGH ACCURACY
- STANDARD BATTERY AA
- ERGONOMIC GRAB
- ROTATING SPOUT
- SHOCK-ABSORBING PROTECTION
- IP55 PROTECTION
- ADJUSTABLE UNIT OF MEASUREMENT

The Piusi K500 is the most widespread preset nozzle for oil. It has an ergonomic handle, an oval gear meter and a preset function to always choose the right quantity before dispensing.

PERFORMANCE

up to

30 L/MIN

(up to 7,8 gpm)

FLOW RATE

± 0,5%

ACCURACY

up to

2000 CST

VISCOSITY

70BAR

PRESSURE



K500



A

ROTATING SPOUT
R12519000
PAG. 96



B

FLEXIBLE SPOUT
FO0676070
PAG. 96



C

RIGID SPOUT
FO0676080
PAG. 96



PACKAGING

CODE	WEIGHT		PACKAGING			N. BOXES/ EUROPALLET	
	KG	LBS	MM	PCS/PALLET	PCS/BOX		
FO068700D	1,8	4	280X160X140		1	128	160
FO068720A	1,8	4	280X160X140		1	128	160
FO0687221A	1,8	4	280X160X140		1	128	160
FO068600D	1,8	4	280X160X140		1	128	160



WASTE OIL EQUIPMENTS



FILTRATION



FLUID MONITORING



HOSE REELS



ACCESSORIES



MERCHANDISE

INDEX



AIR



ANTIFREEZE



AdBlue®



BIODIESEL



DIESEL



FOOD



GASOLINE



GREASE



KEROSENE



OIL

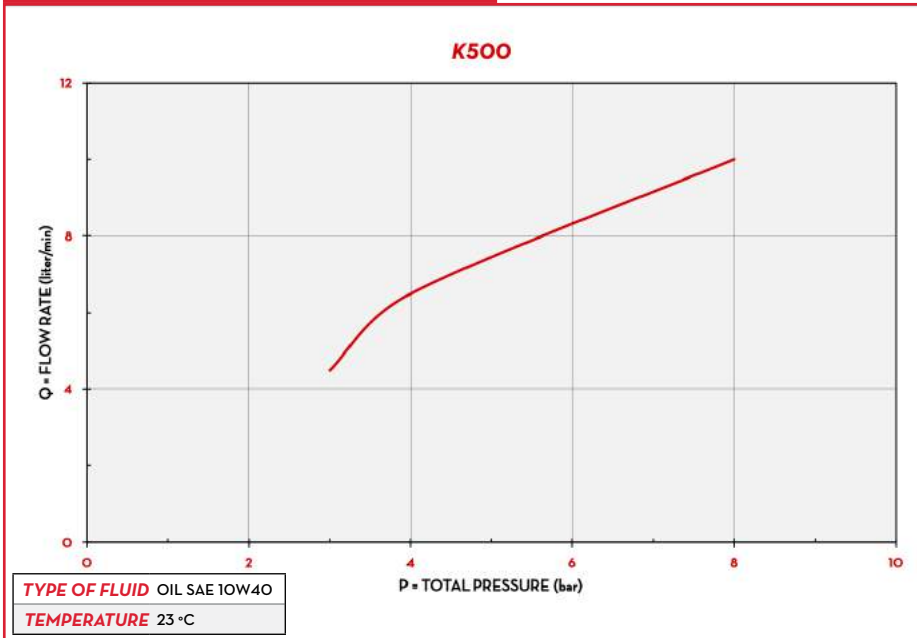


WATER



WINDSCREEN

CHARTS



IN THE BOX

- K500 NOZZLE
- INSTRUCTION MANUAL

DETAILS



EASY PRESET QUANTITY



HIGH PROTECTION

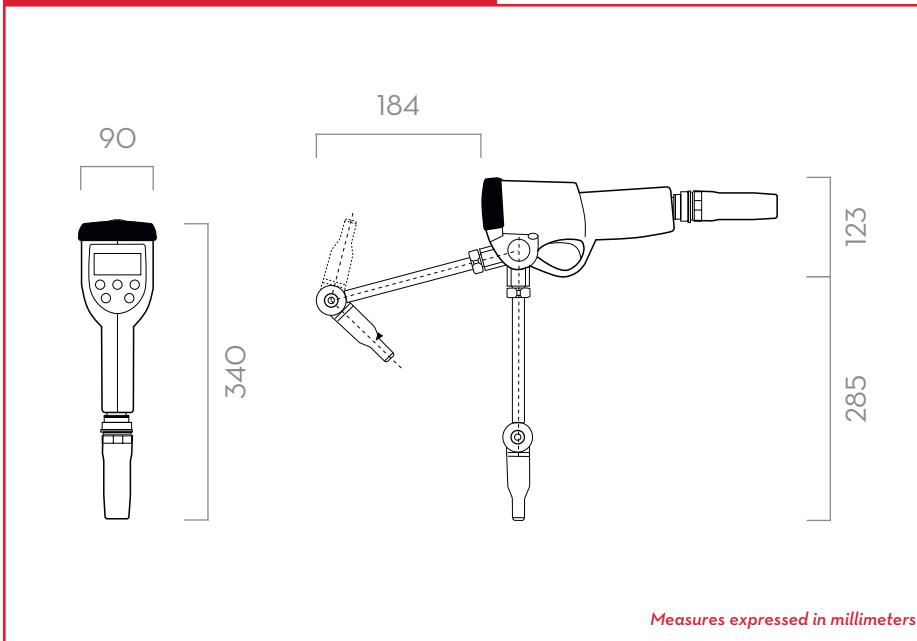


BATTERY COMPARTMENT



METER WITH OVAL GEARS

DIMENSIONS



MATERIALS

- NOZZLE BODY: ALLUMINIUM
- VALVE: NBR, NICKEL PLATED STEEL, BRASS
- METER BODY: ALLUMINIUM
- GEARS: TECHNOPOLYMER

TECHNICAL DATA

CODE	DESCRIPTION	FLUIDS TYPE	SPOUT TYPE	AUTOMATIC NO DRIP VALUE	FLOW-RATE		WORKING PRESSURE		BATTERIES SIZE 1,5 V AA NO.	INLET
					L/MIN	GPM	BAR	PSI		
FO068700D	K500 W/ARTICULABLE SPOUT	O	A	YES	1 ÷ 30	0,26 ÷ 7,8	70	994	4	1/2" BSP
FO068720A	K500 W/RIGID SPOUT	O	C	YES	1 ÷ 30	0,26 ÷ 7,8	70	994	4	1/2" BSP
FO0687221A	K500 W/FLEXIBLE SPOUT	O	B	YES	1 ÷ 30	0,26 ÷ 7,8	70	994	4	1/2" BSP
FO068600D	K500 W/ARTICULABLE SPOUT	O	A	YES	1 ÷ 30	0,26 ÷ 7,8	70	994	4	1/2" NPT

K500

NOZZLE METERS

95