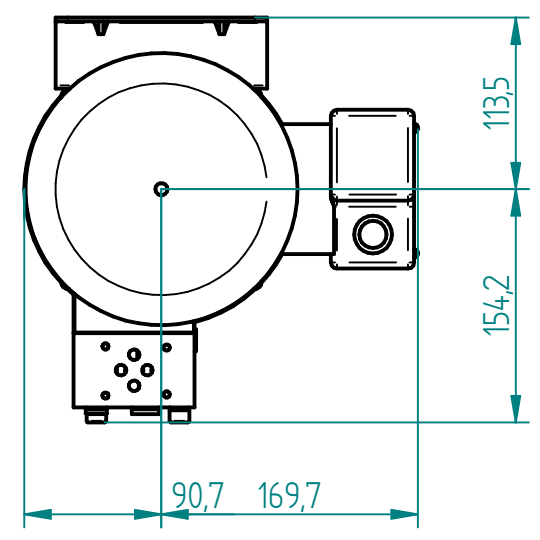
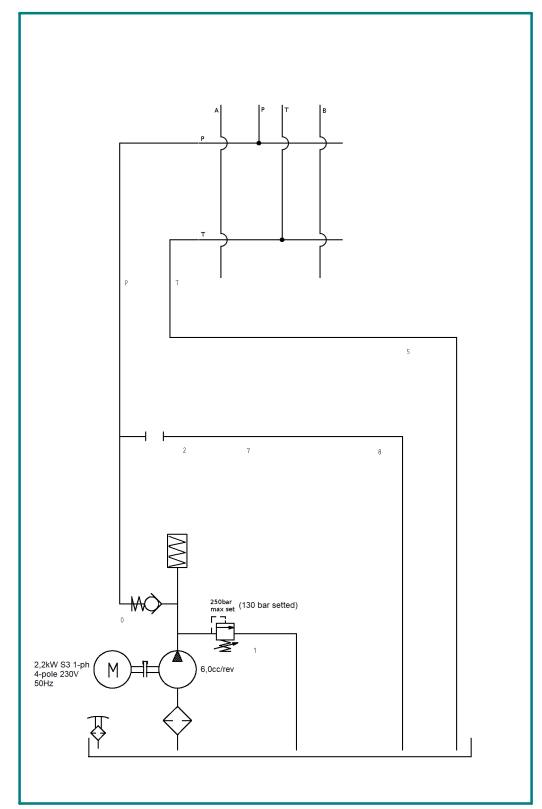
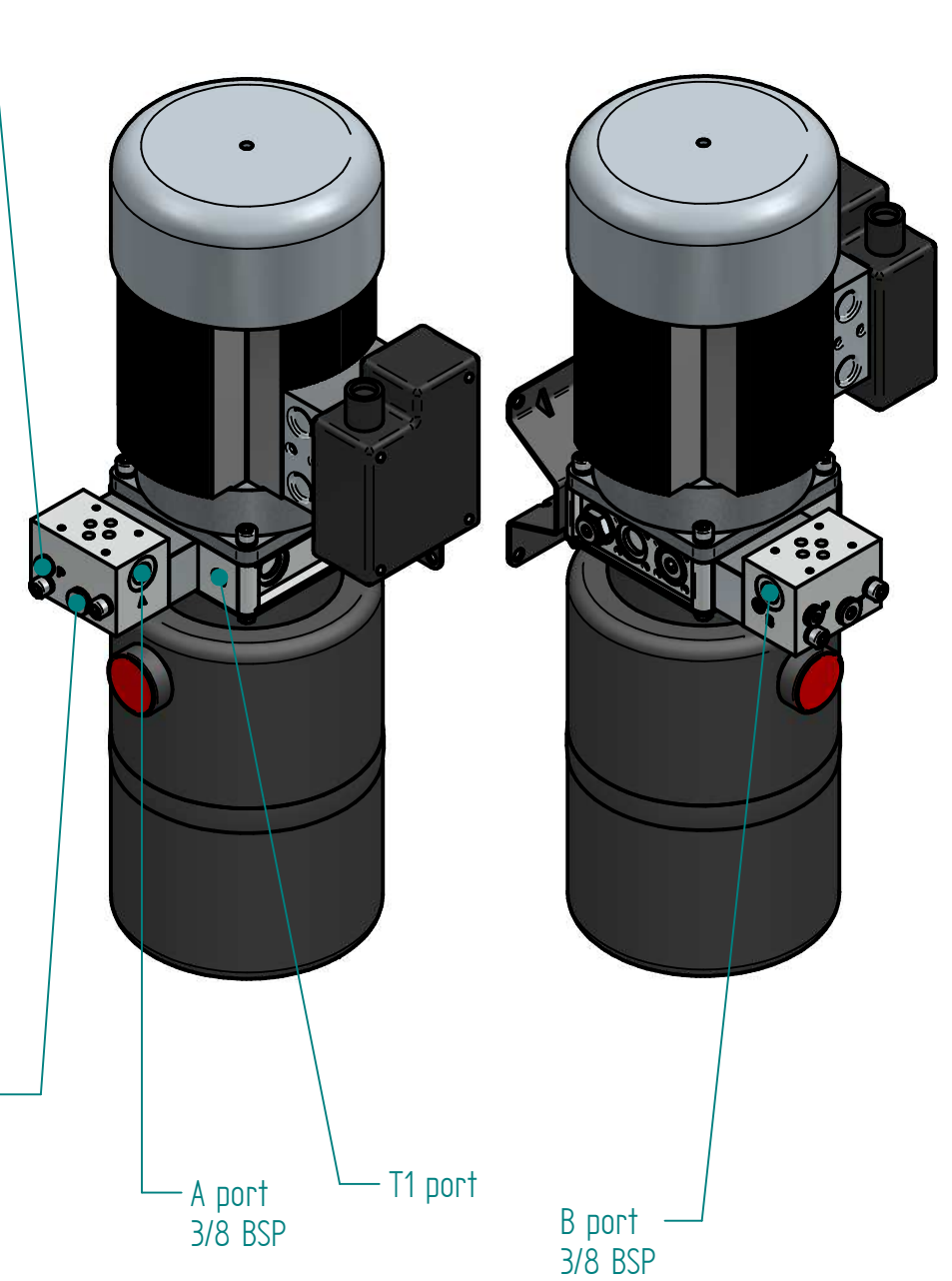


Cavity	Thread
0, 1, 2, 3, 4	3/4-16 UNF (SAE08)
P-T	1/4 BSP 9/16-18UNF (SAE06 - US type) 1/4 BSP-1/8 BSP for external manifold
P _i -T ₁	1/4 BSP (threaded on request only)
5, 6, 8, 9	1/4 BSP (cavity 9 threaded on request only)
External manifolds fixings	2 tie rods M8 4 tie rods M6 (UB type only)
Tank fixings	4 screws M6x14
Integral AC motors and B14 flanges fixings	4 screws M8x25
DC motors fixings	2 screws M6x14 or tie rods M6
Pumps fixings	2 screws M8 (see pump lenghts on the relevant tables)
Mounting Foot fixings	2 screws M10x18 3/8-16 UNC US type (wheelbase 82 mm)
PMC hand pump and CM lever valve fixings	4 screws M5x45



03			
02			
01			
IR	MODIFICATION DESCRIPTION		SIGN. DATE
Hydronit s.r.l. via Pastrengo 62 Varedo (MB) Italy		SIGNATURE Drawn by S. Vanzati Checked by M. Saini	DATE 01/02/2021 01/02/2021
Scale 1:5		Code PPC210122HY-SALHYDRO-11128	IR. 00
<small>This document is confidential and can not be copied nor disclosed to a third party without written consent. In presence of outdated norms, please refer to the updated ones.</small>			