



Technical data

E

- Interchange: Faster P506
- Occlusion: flat face
- Locking: lever with safety device
- Material: steel and aluminum
- Finishing: Zn-Fe (Cr III), Anodizing
- Threads: BSP-NPT-SAE-METRICS
- Standard seals: NBR and PU
- Working temperature: -25°C+100°C
- Optional seals: FKM, EPDM or more.
- Working pressure: 250 bar
- Connection under residual pressure: allowed (male side only)

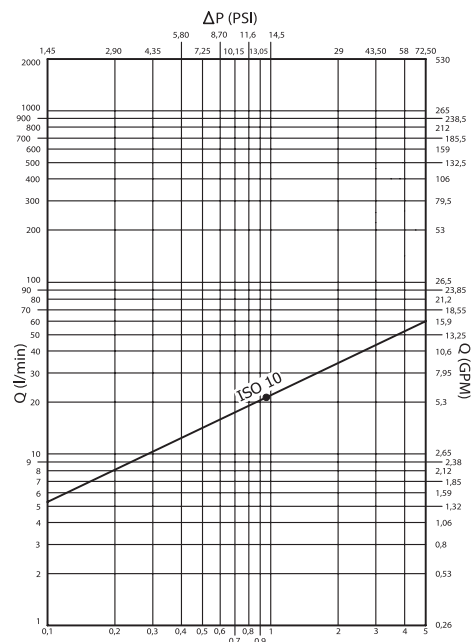
Technische Merkmale

D

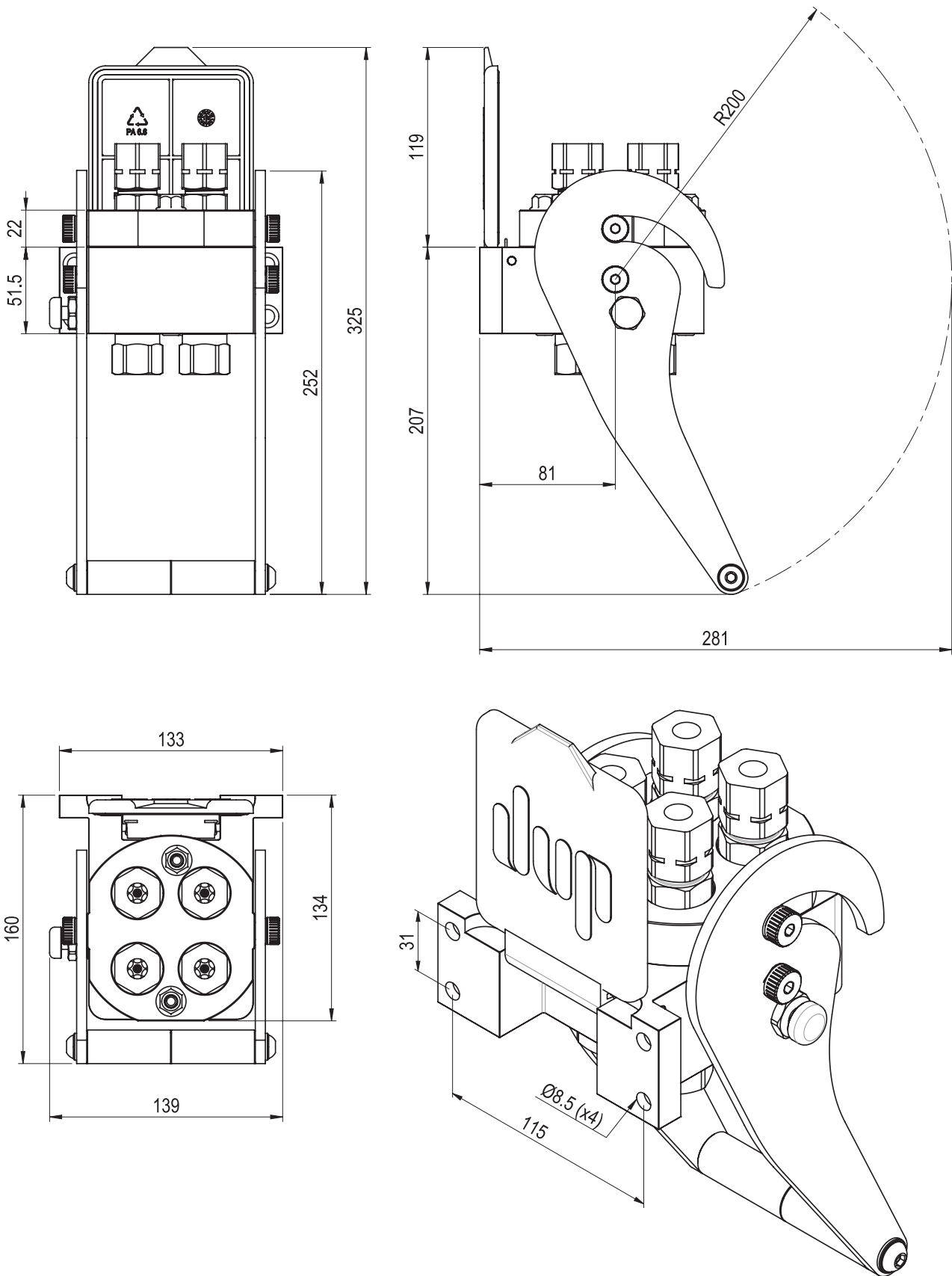
- Norm: Faster P506
- Verschluss: flachdichtend
- Kupplung: Hebel mit Sicherung
- Werkstoff: Stahl und Aluminium
- Ausführung: Zn-Fe (Cr III), Eloxiert
- Gewinde: BSP-NPT-SAE-METRISCHE
- Standard-Dichtungen: NBR und PU
- Betriebstemperatur: -25°C+100°C
- Dichtungen nach Wahl: FKM, EPDM, usw.
- Betriebsdruck: 250 bar
- Kuppeln unter Restdruck: erlaubt (nur Steckerseite)

Nominal size				Max working pressure	Rated flow	Max flow rate	Min burst pressure			Fluid spillage
DNP	BG	ISO	Ømm				Male	Female	Coupled	
13	2	10	8.6	25	23	46	120	120	120	0.010

1 MPa = 145.04 psi • 1 l = 0.264 gal



PSF4 DIMENSION



PSF4 FIXED



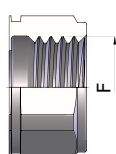
THREADS	DNP	BG	ISO	Housings	No. of Couplings	F	STANDARD	FIXED PART	
								CODE	Weight (g)
IG 1	13	2	10	4	4	BSP 3/8"	DIN 3852-2	PSF4.4CBG.2	3640
	13	2	10	4	3	BSP 3/8"	DIN 3852-2	PSF4.3CBG.2	3500
	13	2	10	4	4	BSP 1/2"	DIN 3852-2	PSF4.4CCG.2	3580
	13	2	10	4	4	NPT 3/8"	ANSI B1.20.1	PSF4.4CBN.2	3680
	13	2	10	4	4	NPT 1/2"	ANSI B1.20.1	PSF4.4CCN.2	3670
IG 2	13	2	10	4	4	9/16"-18 UNF 2B	SAE J 1926-1	PSF4.4CBU.2	3690
	13	2	10	4	4	3/4"-16 UNF 2B	SAE J 1926-1	PSF4.4CCU.2	3630
AG 3	13	2	10	4	4	M16x1.5-10L	ISO 8434-1-L	PSF4.4CBL.2	3710
	13	2	10	4	4	M18x1.5-12L	ISO 8434-1-L	PSF4.4CCL.2	3680
	13	2	10	4	4	M22x1.5-15L	ISO 8434-1-L	PSF4.4CEL.2	3700
	13	2	10	4	4	M20x1.5-12S	ISO 8434-1-S	PSF4.4CDS.2	3720
	13	2	10	4	4	M26x1.5-18L	ISO 8434-1-L	PSF4.4CGL.2	3740
AG 4	13	2	10	4	4	13/16"-16 UN	ISO 8434-3	PSF4.4CCO.2	3760

PSF4 MOBILE

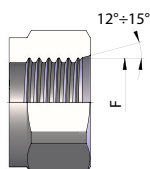


THREADS	DNP	BG	ISO	Housings	No. of Couplings	F	STANDARD	MOBILE PART	
								CODE	Weight (g)
IG 1	13	2	10	4	4	BSP 3/8"	DIN 3852-2	PSF4.4CBG.3	1415
	13	2	10	4	3	BSP 3/8"	DIN 3852-2	PSF4.3CBG.3	1230
	13	2	10	4	4	BSP 1/2"	DIN 3852-2	PSF4.4CCG.3	1380
	13	2	10	4	4	NPT 3/8"	ANSI B1.20.1	PSF4.4CBN.3	1595
	13	2	10	4	4	NPT 1/2"	ANSI B1.20.1	PSF4.4CCN.3	1530
IG 2	13	2	10	4	4	9/16"-18 UNF 2B	SAE J 1926-1	PSF4.4CBU.3	1520
	13	2	10	4	4	3/4"-16 UNF 2B	SAE J 1926-1	PSF4.4CCU.3	1490
AG 3	13	2	10	4	4	M16x1.5-10L	ISO 8434-1-L	PSF4.4CBL.3	1315
	13	2	10	4	4	M18x1.5-12L	ISO 8434-1-L	PSF4.4CCL.3	1320
	13	2	10	4	4	M22x1.5-15L	ISO 8434-1-L	PSF4.4CEL.3	1340
	13	2	10	4	4	M20x1.5-12S	ISO 8434-1-S	PSF4.4CDS.3	1400
	13	2	10	4	4	M26x1.5-18L	ISO 8434-1-L	PSF4.4CGL.3	1360
AG 4	13	2	10	4	4	13/16"-16 UN	ISO 8434-3	PSF4.4CCO.3	1375

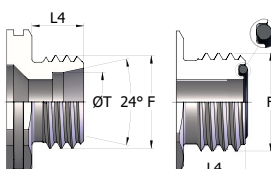
THREADS



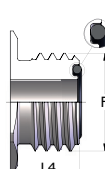
IG 1



IG 2



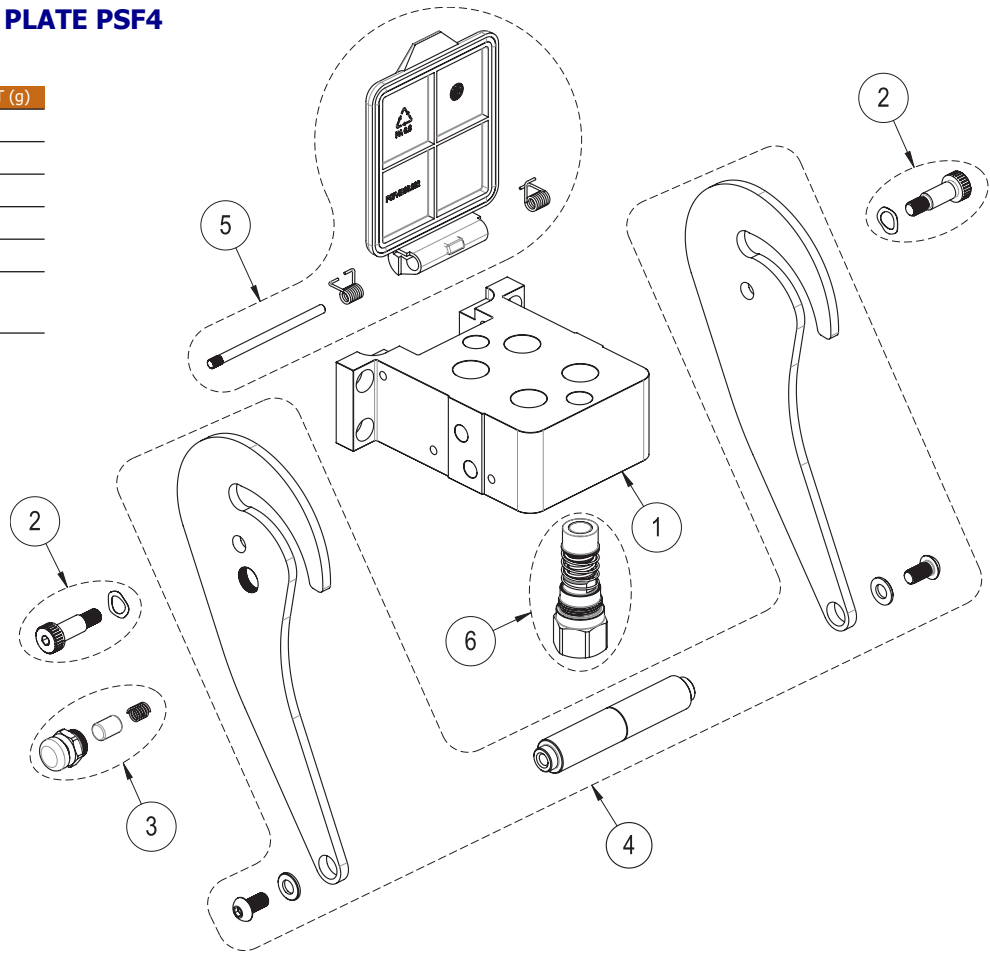
AG 3



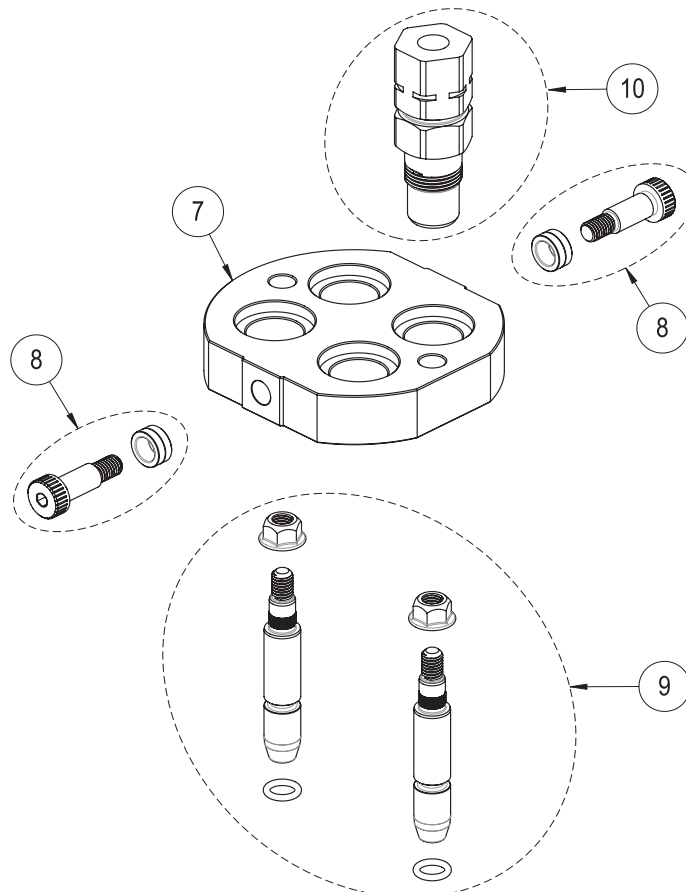
AG 4

SPARE PARTS FIXED PLATE PSF4

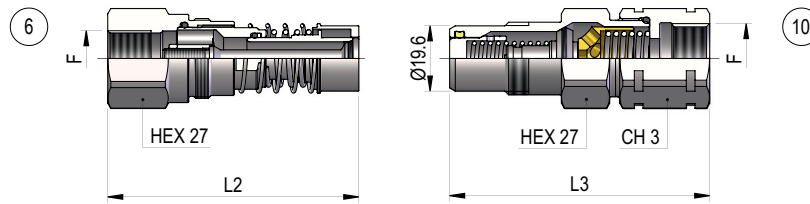
POS.	PART NUMBER	WEIGHT (g)
1	PSF.4B00.102	1370
2	PSQ.KIT.011	51
3	PSF.KIT.050	33
4	PSF.KIT.042	1505
5	PSF.KIT.4902	114
6	SEE SPARE PARTS ISO 10	


SPARE PARTS MOBILE PLATE PSF4

POS.	PART NUMBER	WEIGHT (g)
7	PSF.4B00.103	438
8	PSF.KIT.020	61
9	PSF.KIT.017	169
10	SEE SPARE PARTS ISO 10	

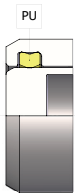


SPARE PARTS ISO 10 COUPLINGS



THREADS	DNP	BG	ISO	L2	CH 3	L3	L4	ØT	F	STANDARD	SPARE PARTS			
											FEMALE - MUFFE		MALE - STECKER	
											COD. F	Weight (g)	COD. M	Weight (g)
IG 1	13	2	10	75.3	27	78			BSP 3/8"	DIN 3852-2	POF4.1310.112 R	150	POF4.1310.113	188
	13	2	10	75.3	27	78			BSP 1/2"	DIN 3852-2	POF4.1313.112 R	135	POF4.1313.113	179
	13	2	10	75.3	30	81			NPT 3/8"	ANSI B1.20.1	POF4.1310.012 R	160	POF4.1310.013	233
	13	2	10	79.3	30	81			NPT 1/2"	ANSI B1.20.1	POF4.1313.012 R	157	POF4.1313.013	217
IG 2	13	2	10	75.4	30	78			9/16"-18 UNF 2B	SAE J 1926-1	POF4.1315.032 R	162	POF4.1315.033	214
	13	2	10	75.3	30	78			3/4"-16 UNF 2B	SAE J 1926-1	POF4.1319.032 R	147	POF4.1319.033	206
AG 3	13	2	10	83.3	27	76	11	10L	M16x1.5	ISO 8434-1-L	POF4.1316.302 R	160	POF4.1316.303	163
	13	2	10	83.3	27	76	11	12L	M18x1.5	ISO 8434-1-L	POF4.1318.302 R	160	POF4.1318.303	164
	13	2	10	84.3	27	77	12	15L	M22x1.5	ISO 8434-1-L	POF4.1322.302 R	165	POF4.1322.303	169
	13	2	10	84.3	30	77	12	12S	M20x1.5	ISO 8434-1-S	POF4.1320.402 R	170	POF4.1320.403	184
	13	2	10	84.3	27	77	12	18L	M26x1.5	ISO 8434-1-L	POF4.1326.302 R	162	POF4.1326.303	173
AG 4	13	2	10	85.3	27	78	13		13/16"-16 UN	ISO 8434-3	POF4.1321.432 R	170	POF4.1321.433	178

SPARE PARTS SEALS



NOMINAL SIZE			MALE GASKET
DNP	BG	ISO	PU (POLYURETHANE)
13	2	10	PLK.013.210

PLUGS



NOMINAL SIZE			PART NUMBER	COLOR	MATERIAL
DNP	BG	ISO			
13	2	10	TPOF13	●	PVC

THREADS

