



Technical data

E

- Interchange: exclusive Dnp profile
- Occlusion: flat face
- Locking: lever with safety device
- Material: steel and aluminum
- Finishing: Zn-Fe (Cr III), Anodizing
- Threads: BSP-NPT-SAE
- Standard seals: NBR and PU
- Working temperature: -25°C+100°C
- Optional seals: FKM, EPDM or more
- Working pressure: 250 bar
- Connection under residual pressure: allowed (male side only)

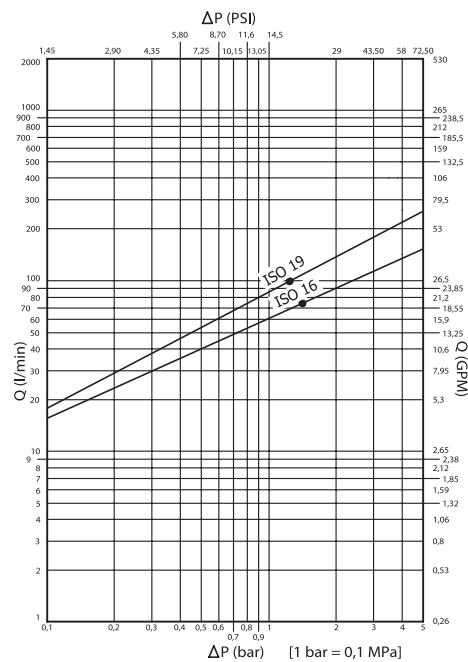
Technische Merkmale

D

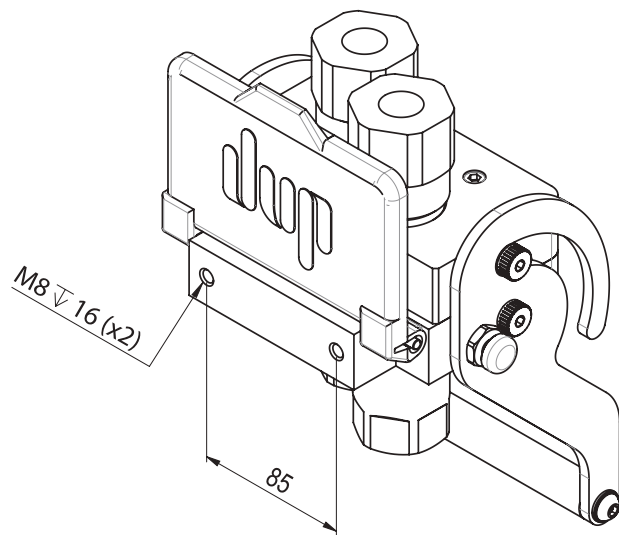
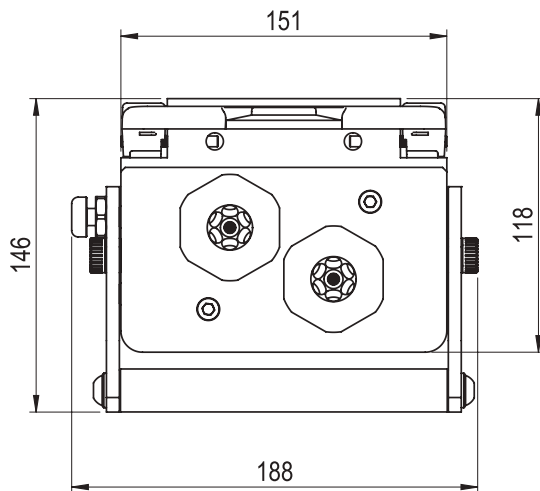
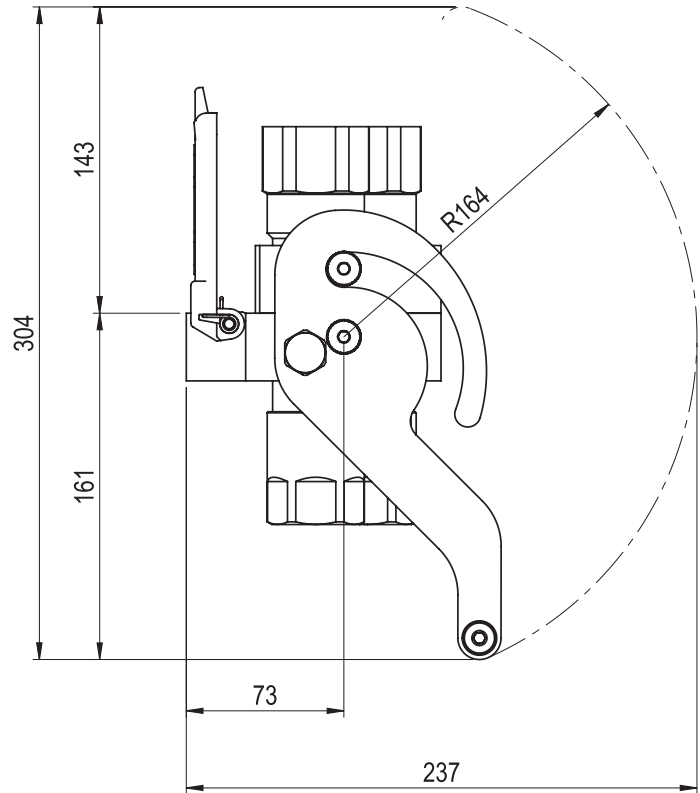
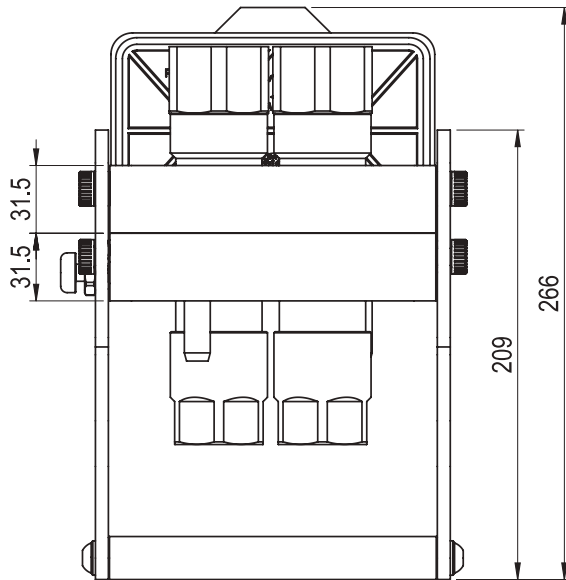
- Austauschbarkeit: laut exclusive Dnp Zeichnung
- Verschluss: flachdichtend
- Kupplung: Hebel mit doppelter Sicherung
- Werkstoff: Stahl und Aluminium
- Ausführung: Zn-Fe (Cr III), Eloxiert
- Gewinde: BSP-NPT-SAE
- Standard-Dichtungen: NBR und PU
- Betriebstemperatur: -25°C+100°C
- Dichtungen nach Wahl: FKM, EPDM, usw.
- Betriebsdruck: 250 bar
- Kuppeln unter Restdruck: erlaubt (nur Steckerseite)

Nominal size				Max working pressure MPa	Rated flow l/min	Max flow rate l/min	Min burst pressure			Fluid spillage cc
DNP	BG	ISO	Ømm				Male MPa	Female MPa	Coupled MPa	
22	4A	16	12.8	35	74	150	140	140	140	0.012
25	4	19	14.8	35	100	200	140	140	140	0.015

1 MPa = 145.04 psi • 1 l = 0.264 gal



PSL2 DIMENSION



PSL2 FIXED



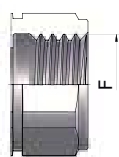
THREADS	DNP	BG	ISO	Housings	No. of Couplings	F	STANDARD	FIXED PART	
								CODE	Weight (g)
IG 1	22	4A	16	2	2	BSP 1/2"	DIN 3852-2	PSL2.2DCG.2	3565
	22	4A	16	2	2	NPT 1/2"	ANSI B1.20.1	PSL2.2DCN.2	3570
	22	4A	16	2	2	BSP 3/4"	DIN 3852-2	PSL2.2DDG.2	3505
	25	4	19	2	2	BSP 3/4"	DIN 3852-2	PSL2.2EDG.2	3760
	22	4A	16	2	2	NPT 3/4"	ANSI B1.20.1	PSL2.2DDN.2	3520
	25	4	19	2	2	NPT 3/4"	ANSI B1.20.1	PSL2.2EDN.2	3770
	25	4	19	2	2	BSP 1"	DIN 3852-2	PSL2.2EEG.2	3700
	25	4	19	2	2	NPT 1"	ANSI B1.20.1	PSL2.2EEN.2	3710
IG 2	22	4A	16	2	2	3/4"-16 UNF 2B	SAE J 1926-1	PSL2.2DCU.2	3520
	22	4A	16	2	2	7/8"-14 UNF 2B	SAE J 1926-1	PSL2.2DGU.2	3530
	25	4	19	2	2	1"-1/16-12 UN 2B	SAE J 1926-1	PSL2.2EDU.2	3770
	25	4	19	2	2	1"-5/16-12 UN 2B	SAE J 1926-1	PSL2.2EEU.2	3660

PSL2 MOBILE

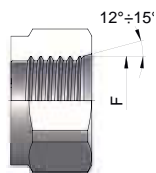


THREADS	DNP	BG	ISO	Housings	No. of Couplings	F	STANDARD	MOBILE PART	
								CODE	Weight (g)
IG 1	22	4A	16	2	2	BSP 1/2"	DIN 3852-2	PSL2.2DCG.3	2000
	22	4A	16	2	2	NPT 1/2"	ANSI B1.20.1	PSL2.2DCN.3	2000
	22	4A	16	2	2	BSP 3/4"	DIN 3852-2	PSL2.2DDG.3	1925
	25	4	19	2	2	BSP 3/4"	DIN 3852-2	PSL2.2EDG.3	2360
	22	4A	16	2	2	NPT 3/4"	ANSI B1.20.1	PSL2.2DDN.3	1940
	25	4	19	2	2	NPT 3/4"	ANSI B1.20.1	PSL2.2EDN.3	2380
	25	4	19	2	2	BSP 1"	DIN 3852-2	PSL2.2EEG.3	2300
	25	4	19	2	2	NPT 1"	ANSI B1.20.1	PSL2.2EEN.3	2320
IG 2	22	4A	16	2	2	3/4"-16 UNF 2B	SAE J 1926-1	PSL2.2DCU.3	2005
	22	4A	16	2	2	7/8"-14 UNF 2B	SAE J 1926-1	PSL2.2DGU.3	1970
	25	4	19	2	2	1"-1/16-12 UN 2B	SAE J 1926-1	PSL2.2EDU.3	2370
	25	4	19	2	2	1"-5/16-12 UN 2B	SAE J 1926-1	PSL2.2EEU.3	2250

THREADS



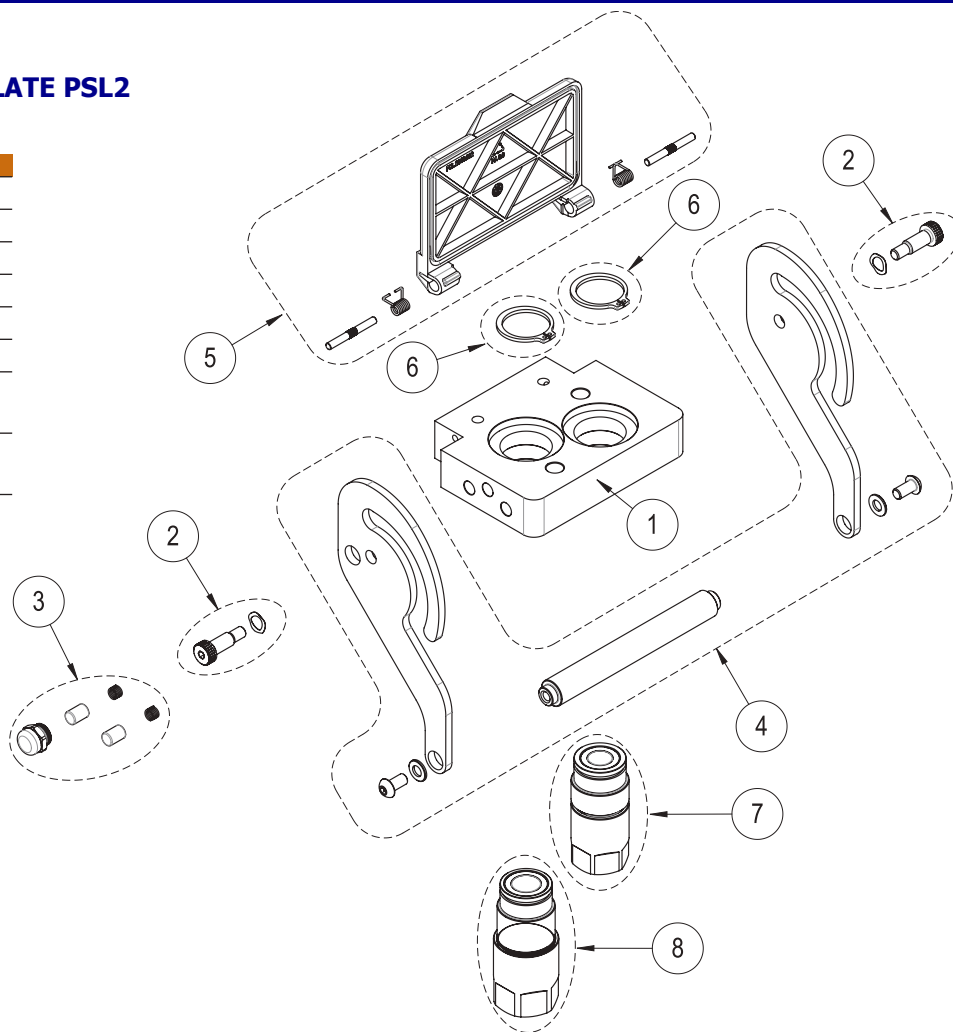
IG 1



IG 2

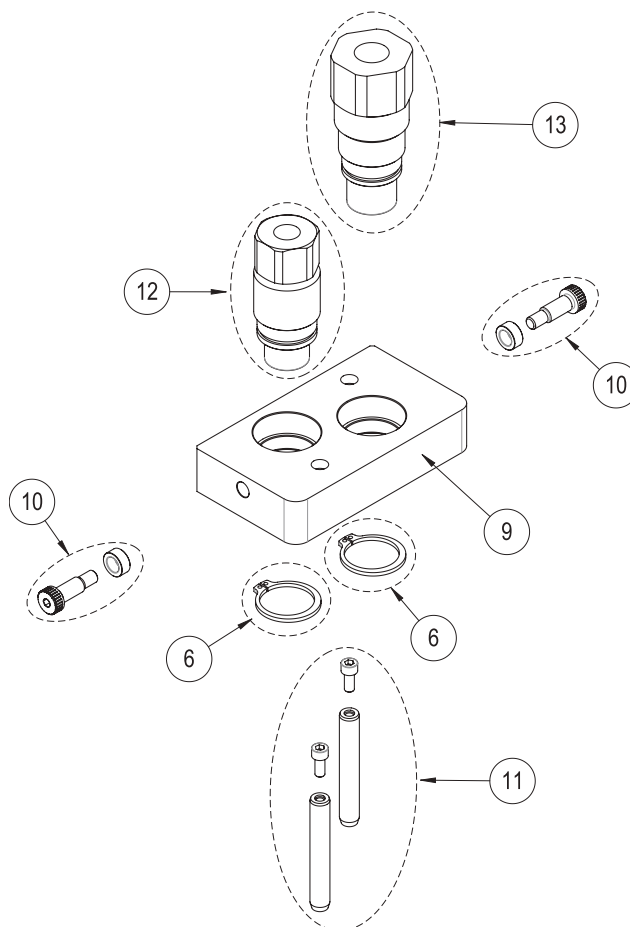
SPARE PARTS FIXED PLATE PSL2

POS.	PART NUMBER	WEIGHT (g)
1	PSL.2C00.002	1030
2	PSQ.KIT.011	51
3	PSQ.KIT.050	43
4	PSL.KIT.043	840
5	PSL.KIT.2902	110
6	PSL.002.016	5
7	SEE SPARE PARTS ISO 16	
8	SEE SPARE PARTS ISO 19	

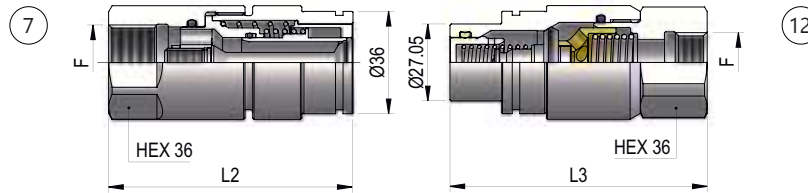


SPARE PARTS MOBILE PLATE PSL2

POS.	PART NUMBER	WEIGHT (g)
9	PSL.2C00.003	838
10	PSQ.KIT.020	64
11	PSL.KIT.017	143
12	SEE SPARE PARTS ISO 16	
13	SEE SPARE PARTS ISO 19	

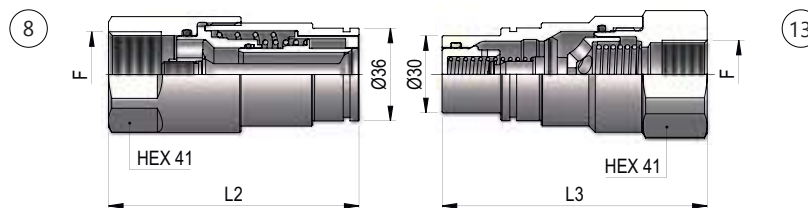


SPARE PARTS ISO 16 COUPLINGS



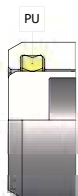
THREADS	DNP	BG	ISO	L2	L3	F	STANDARD	SPARE PARTS			
								FEMALE - MUFFE		MALE - STECKER	
								COD. F	Weight (g)	COD. M	Weight (g)
IG 1	22	4A	16	86	90.5	BSP 1/2"	DIN 3852-2	POT4.2213.112	549	POT4.2213.113	516
	22	4A	16	86	90.5	NPT 1/2"	ANSI B1.20.1	POT4.2213.012	552	POT4.2213.013	517
	22	4A	16	86	90.5	BSP 3/4"	DIN 3852-2	POT4.2219.112	518	POT4.2219.113	478
	22	4A	16	86	90.5	NPT 3/4"	ANSI B1.20.1	POT4.2219.012	526	POT4.2219.013	484
IG 2	22	4A	16	82	90.5	3/4"-16 UNF 2B	SAE J 1926-1	POT4.2219.032	526	POT4.2219.033	519
	22	4A	16	84	90.5	7/8"-14 UNF 2B	SAE J 1926-1	POT4.2223.032	531	POT4.2223.033	503

SPARE PARTS ISO 19 COUPLINGS



THREADS	DNP	BG	ISO	L2	L3	F	STANDARD	SPARE PARTS			
								FEMALE - MUFFE		MALE - STECKER	
								COD. F	Weight (g)	COD. M	Weight (g)
IG 1	25	4	19	94.5	103	BSP 3/4"	DIN 3852-2	POT4.2519.112	645	POT4.2519.113	695
	25	4	19	94.5	104	NPT 3/4"	ANSI B1.20.1	POT4.2519.012	651	POT4.2519.013	709
	25	4	19	97.5	107	BSP 1"	DIN 3852-2	POT4.2525.112	616	POT4.2525.113	666
	25	4	19	97.5	107	NPT 1"	ANSI B1.20.1	POT4.2525.012	623	POT4.2525.013	677
IG 2	25	4	19	95	104	1"1/16-12 UN 2B	SAE J 1926-1	POT4.2527.032	633	POT4.2527.033	700
	25	4	19	95	105	1"5/16-12 UN 2B	SAE J 1926-1	POT4.2533.032	595	POT4.2533.033	642

SPARE PARTS SEALS



NOMINAL SIZE			MALE GASKET
DNP	BG	ISO	PU (POLYURETHANE)
22	4A	16	PVT.022.210
25	4	19	PVT.025.210

THREADS

