

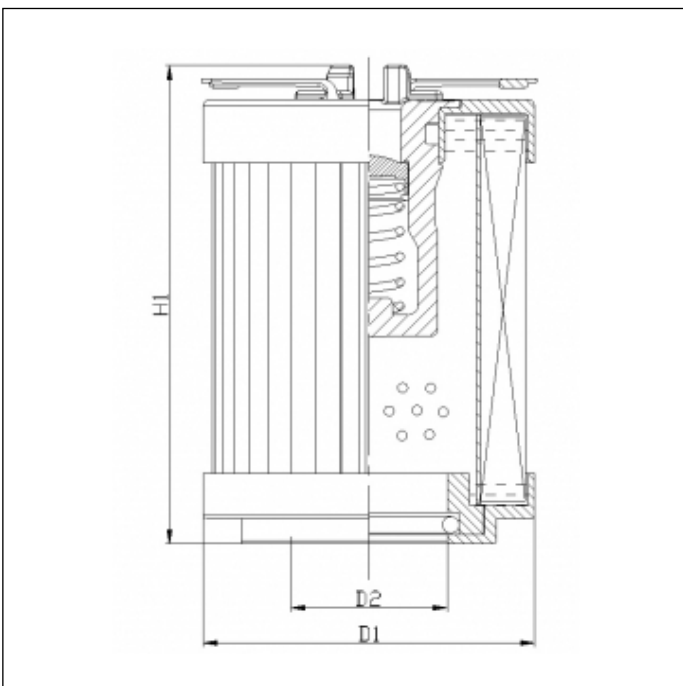
## R110C10B

printed on: 08-02-2024



### TECHNICAL INFO

Media type	IMPREGNATED PAPER
Efficiency	10 $\mu\text{m}_{(c)}$ $\beta_x \geq 2$
Flow direction	OUT-IN
Collapse $\Delta p$	10 bar
Bypass setting	1.7 bar
Seals	NBR
Temperature range	-30°C +100°C



### OVERALL DIMENSIONS

D1	52,0 mm
D2	24,5 mm
H1	75,0 mm

Technical information may change without notice. Image and drawing are representative only