

Selector Valve RV 713



Key valve features

RV 713 is a 3 way selector valve designed for flows up to 160 l/min and max. operating pressures up to 250 bar.

Spools, both 2 and 3 position, are available in various types including spools with built in check valves. Standard spools are designed with under lap.

A wide range of spool controls, both for manual operation as well as for remote control, are available.

Applications

Typical applications for RV 713 are tipping gears and demountable bodies. The configuration with check valve spools are typical used as a limit switch on tipping gears.

Technical data

Pressures / Flows

Max. operating pressure per port:

A, B, C: 250 bar (25,0 MPa)¹

Max. permissible flow port A: 160 l/min

Fluid temperature range: -15 °C up to +80 °C

¹ Manual operated valves with spring centered or spring returned spools are only recommended when switching to neutral always takes place during pressure unloaded conditions.

Further data

Spool control force:

Neutral position: 280 N

Max spool stroke: 400 N

Permissible contamination level: Equal or better than 20/18/14 as per ISO 4406

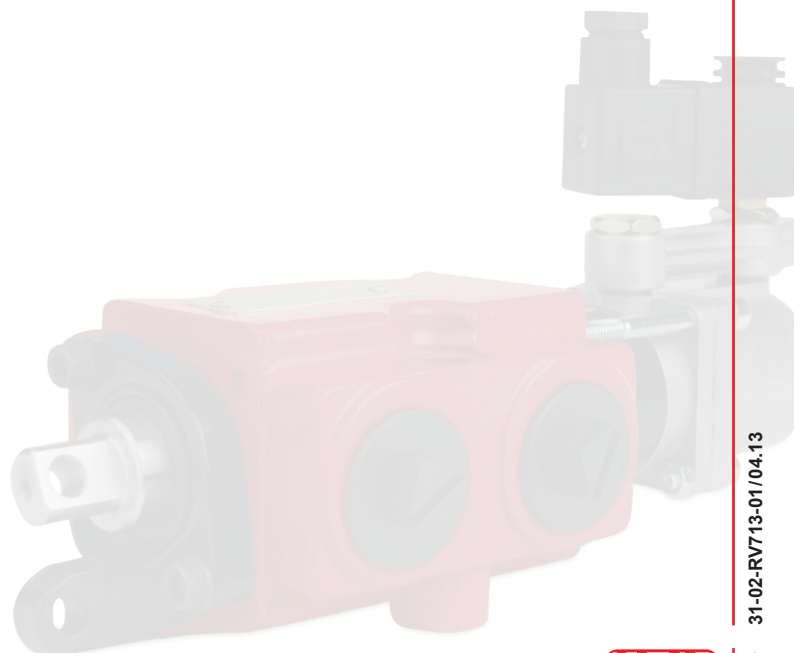
Viscosity range: 10 – 400 cSt
Higher viscosity allowed at start up

Leakage B.C → A at 100 bar 32 cSt and 40 °C: < 40 cc/min

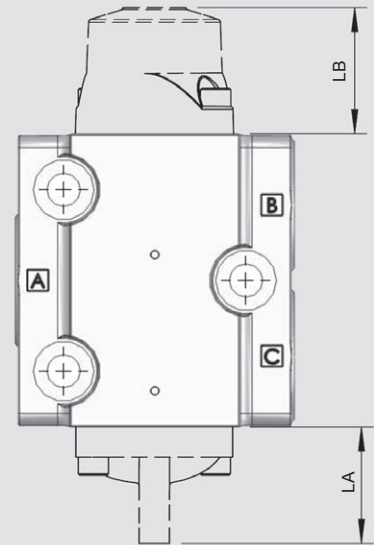
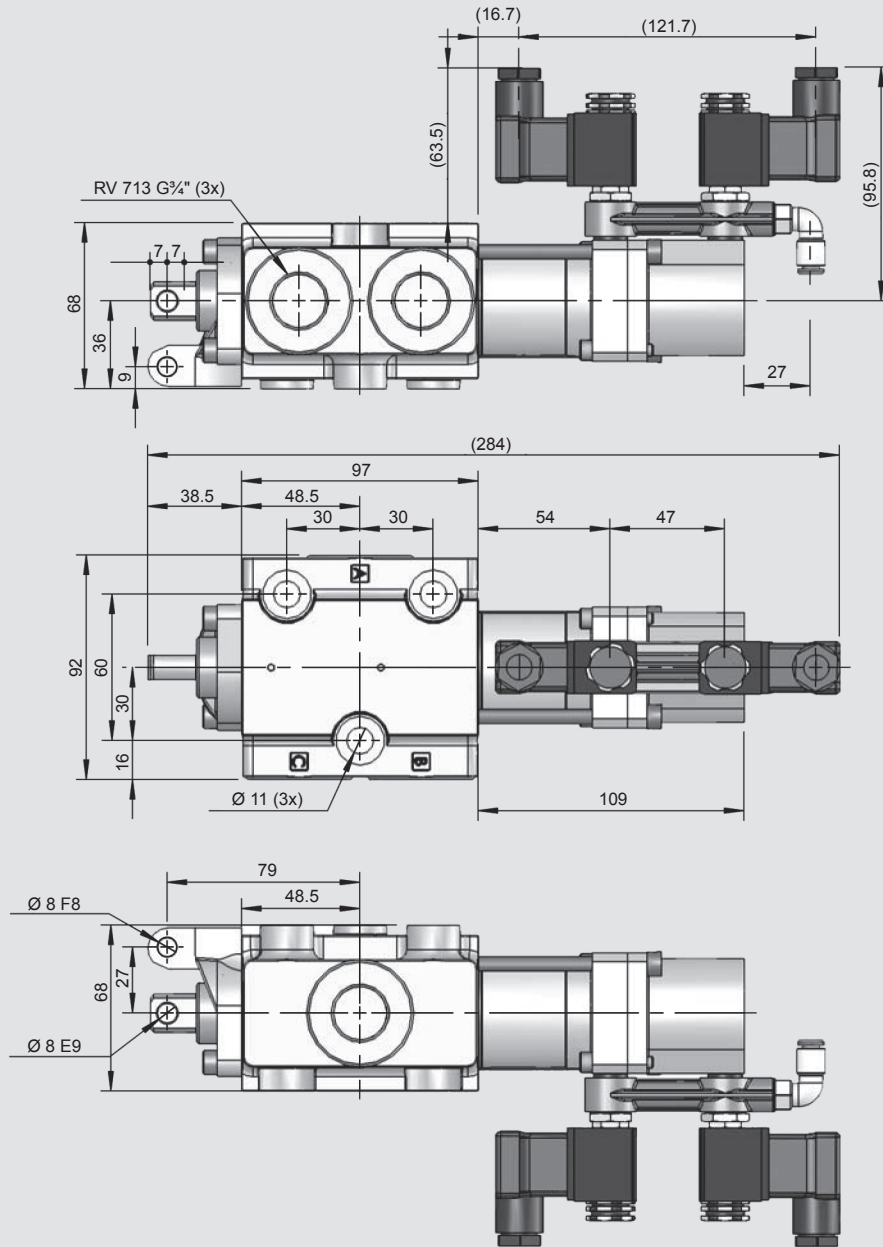
Pressure fluid: Mineral oil and synthetic oil based on mineral oil
HL, HLP according to DIN 51524

Higher values are possible, depending on application. For applications with demands that exceed stated data above, please contact us for consideration.

MTTFd value after consultation with HYDAC.



Dimensions and weight

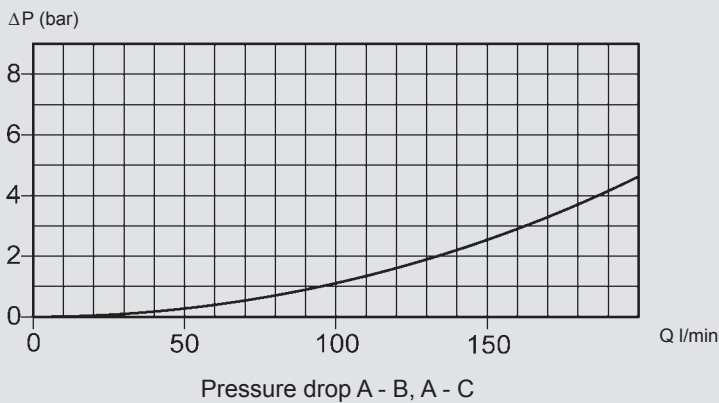


Weight **3 kg**

Type	LA [mm]	LB [mm]
9	41.6	
91	41.6	
92	41.6	
93	41.6	
94	41.6	
10	41.6	
21	41.6	
22	41.6	
P - P4	109	
EP	142	
M19RV		38.5
M12		89.5

Pressure drop

Oil temperature / viscosity for all graphs: +40 °C / 32 cSt



Spool controls

Spool control 9 Spring centering		Spool control EP24 Electro-pneumatic on/off 24 V, spring centered ^{*/**}	
Spool control 91 Spring return from position II to position I		Spool control EP12 Electro-pneumatic on/off 12 V, spring centered ^{*/**}	
Spool control 92 Spring return from position III to position I		Spool control EP124 Electro pneumatic on/off, 24 V, spring return from position II to position I ^{*/**}	
Spool control 92B Spring return from position III to position I. OBS! B port must be plugged		Spool control EP112 Electro pneumatic on/off, 12 V, spring return from position II to position I ^{*/**}	
Spool control 93 Spring return from position I to position II		Spool control EP224 Electro pneumatic on/off, 24 V, spring return from position III to position I ^{*/**}	
Spool control 94 Spring return from position I to position III		Spool control EP212 Electro pneumatic on/off, 12 V, spring return from position III to position I ^{*/**}	
Spool control 10 Detents in positions I, II and III		Spool control EP324 Electro pneumatic on/ off, 24 V, spring return from position I to position II ^{*/**}	
Spool control 21 Detents in positions I and II		Spool control EP312 Electro pneumatic on/off, 12 V, spring return from position I to position II ^{*/**}	
Spool control 22 Detents in positions I and III		Spool control EP424 Electro pneumatic on/off, 24 V, spring return from position I to position III ^{*/**}	
Spool control P Pneumatic on/off spring centered [*]		Spool control EP412 Electro pneumatic on/off, 12 V, spring return from position I to position III ^{*/**}	
Spool control P1 Pneumatic on/off spring return from position II to position I [*]			
Spool control P2 Pneumatic on/off, spring return from position III to position I [*]			
Spool control P3 Pneumatic on/off, spring return from position I to position II [*]			
Spool control P4 Pneumatic on/off, spring return from position I to position III [*]			

* Connection G 1/8" BSP, max pneumatic supply pressure 10 bar

** Power consumption 4.8 W
 Rated voltage 12 and 24 V
 Max voltage variation +/- 10 %
 Duty factor 100 %
 Connection according to EN175301-803/B
 Protection class IP65

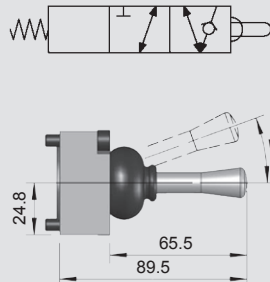
Spools

	Function	Code
	Float spool, 2-position	1A
	Spool with built in check valve	2B
	Spool with built in check valve, shall be used with the valve housing C-port plugged	2C
	Selector spool, 2-position	3A
	Selector spool, with float function in position I, 3-position	4A
	Spool with built in check valve, normally B-port plugged. For use with bracket M12 and spool control 92B	4C
	Selector spool with float in position III	5A
	Selector spool with all ports closed in position I	7A

Brackets

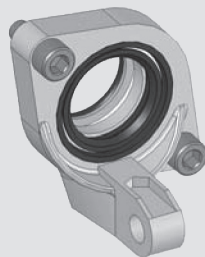
Bracket M12

Bracket including maneuver pin.
To be used together with Spool
4C and Spool control 92B



Bracket M19RV

Bracket for 2 or 3 positional
spools with standard spool end



Note

The information in this brochure relates to the operating conditions and applications described.

For applications or operating conditions not described, please contact the relevant technical department.

Subject to technical modifications.



Nordhydraulic
HYDAC INTERNATIONAL

Head Office
HYDAC INTERNATIONAL
GMBH

Industriegebiet
66380 Sulzbach/Saar
Germany

Phone: +49 6897 509-01
Fax: +49 6897 509-577

E-mail: mobilevalves@hydac.com
Internet: www.hydac.com