

RAM HOISTS

No. 222-SP



**ADVANCED FLUID
MANAGEMENT SOLUTIONS**



Quality
comes to
the surface



**ADVANCED FLUID
MANAGEMENT SOLUTIONS**





**ADVANCED FLUID
MANAGEMENT SOLUTIONS**



at your service since 1975

RAASM works to offer the best through continuous improvement, in terms of performance, functionality and reliability of its products.

www.raasm.com



HELP THE NATURE



Packaging contains, depending on the articles, one or more of the following materials; they must be recycled in accordance with current regulations in the country of use.



cardboard • polyethylene sack • polystyrene paper • wood • nails • plastic strap cellophane • clips • gummed paper





180 - 220 Kg drums



Strength points

The pneumatic piston pump hoists make the drum's exchange **simple** and **fast** thanks to the hoisting system with one or two columns activated pneumatically. Additionally, models equipped with the follower plate **will enable you to pump grease** even beyond the NLGI 3 grade, **highly viscous fluids** and even with high temperatures.

- **Facilitates the drum's exchange**

The new base allows the accommodation of a pallet, making the drum's substitution and its proper positioning easier.

- **Unparalleled efficiency**

The pneumatic control of the minimum and maximum drum's level allows the simplifying of work operations.

- **Adaptable with all types of pumps**

All RAASM pumps are usable thanks to the brackets and adaptors available on the catalog.

- **Work in safety**

The pressure control group allows the keeping of the pump pressure output under control.

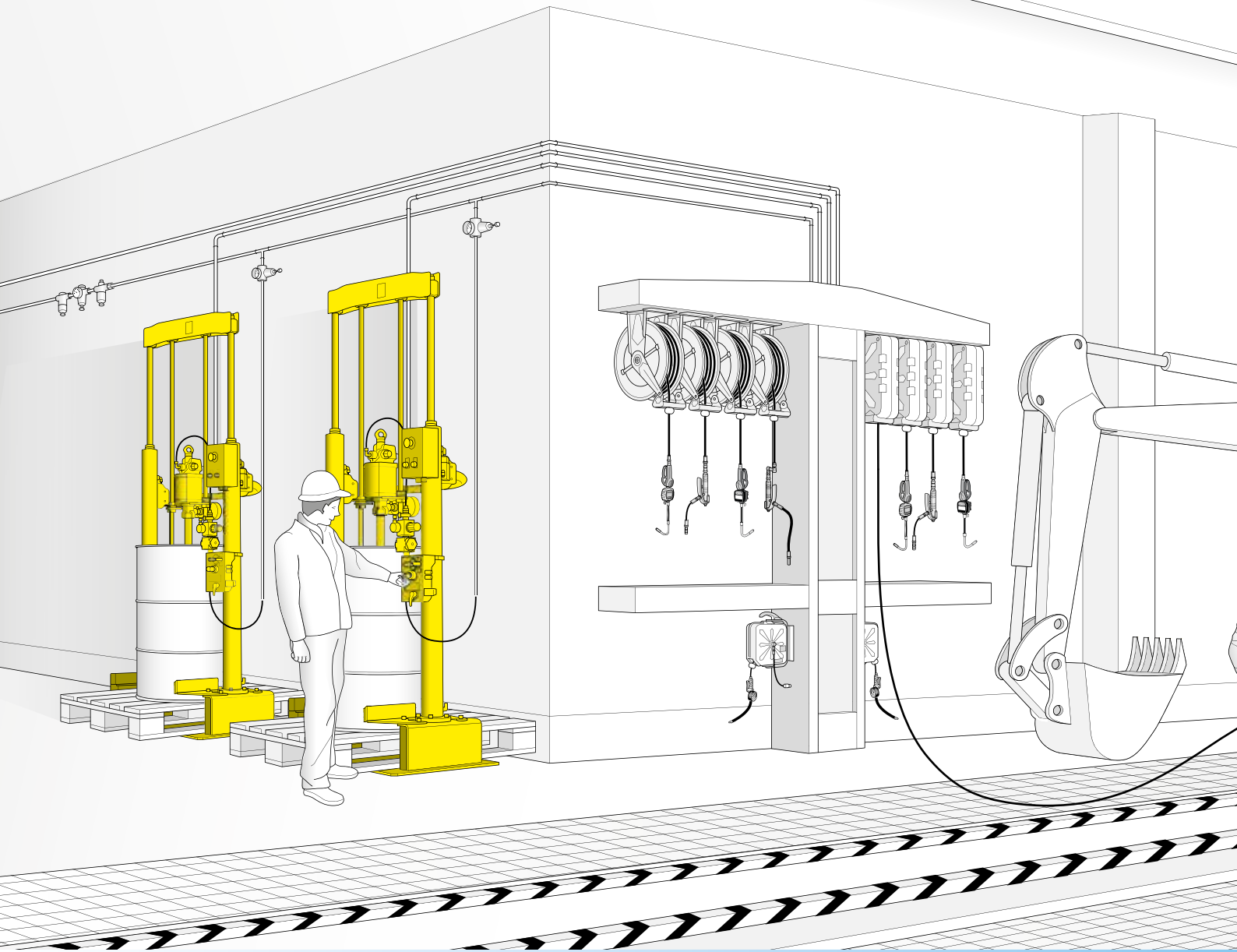
- **Avoids air pockets in the drum**

Thanks to the visible bleeder, all internal air pockets are eliminated from the drum, leaving the work environment clean.

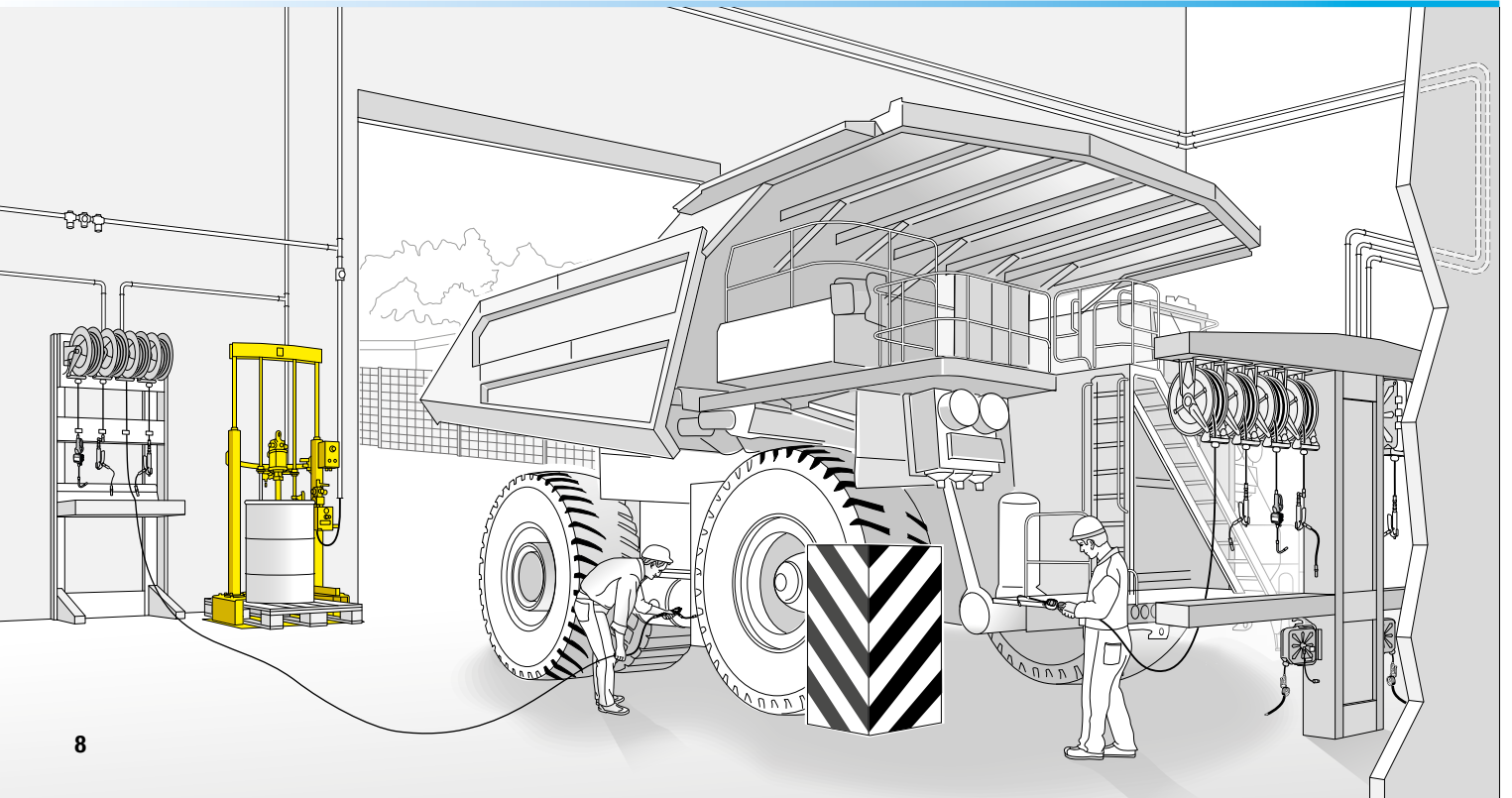
- **For extremely thick fluids**

Ideal for pumping fluids with high viscosity and grease even beyond the NLGI 3 grade (working temperature to be checked).





Mining





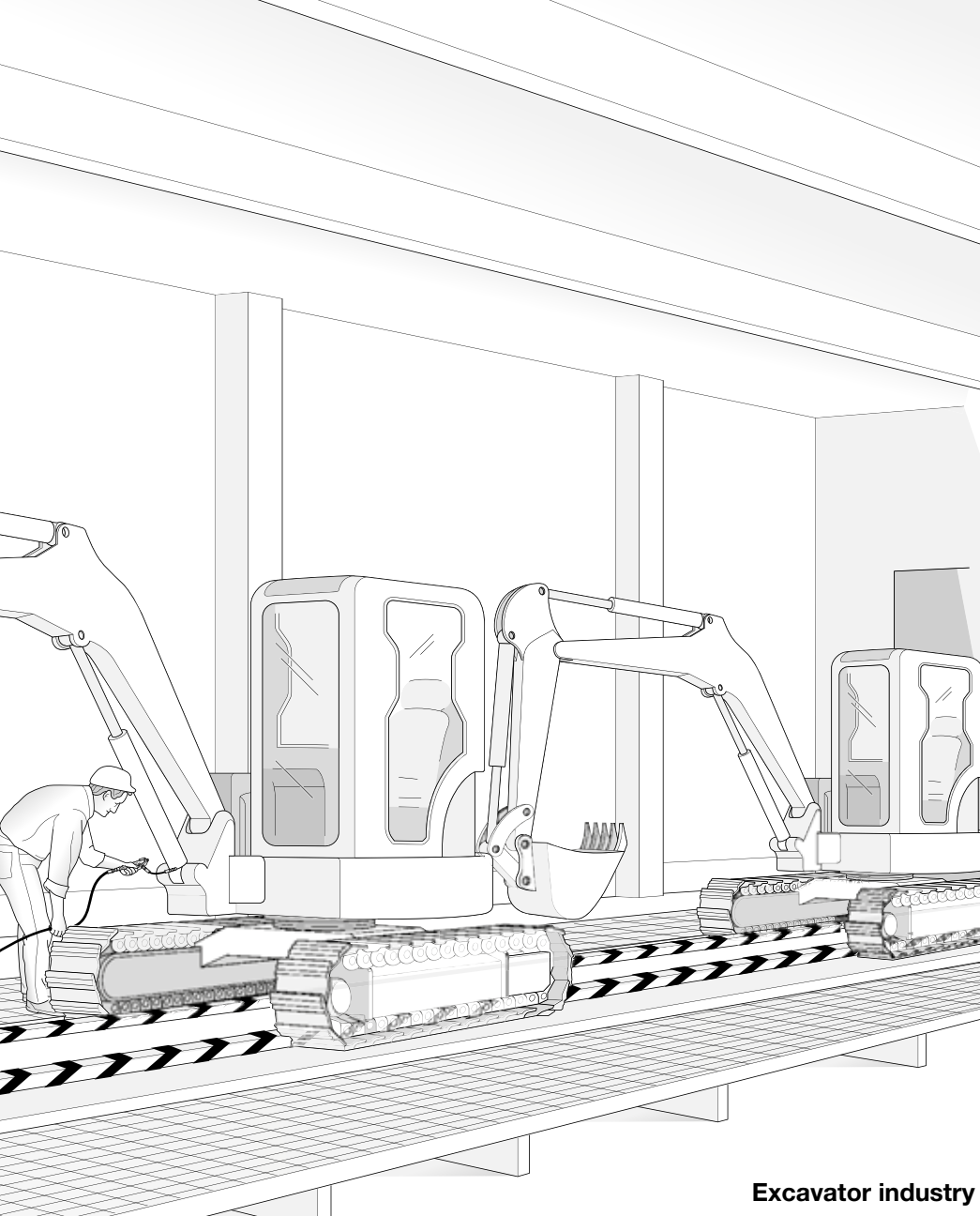
**ADVANCED FLUID
MANAGEMENT SOLUTIONS**

APPLICATION FIELDS

The hoists for pneumatic piston pumps, operating with follower plate, can compress **grease** even beyond the NLGI 3 grade, **very viscous fluids** and even with high temperatures.

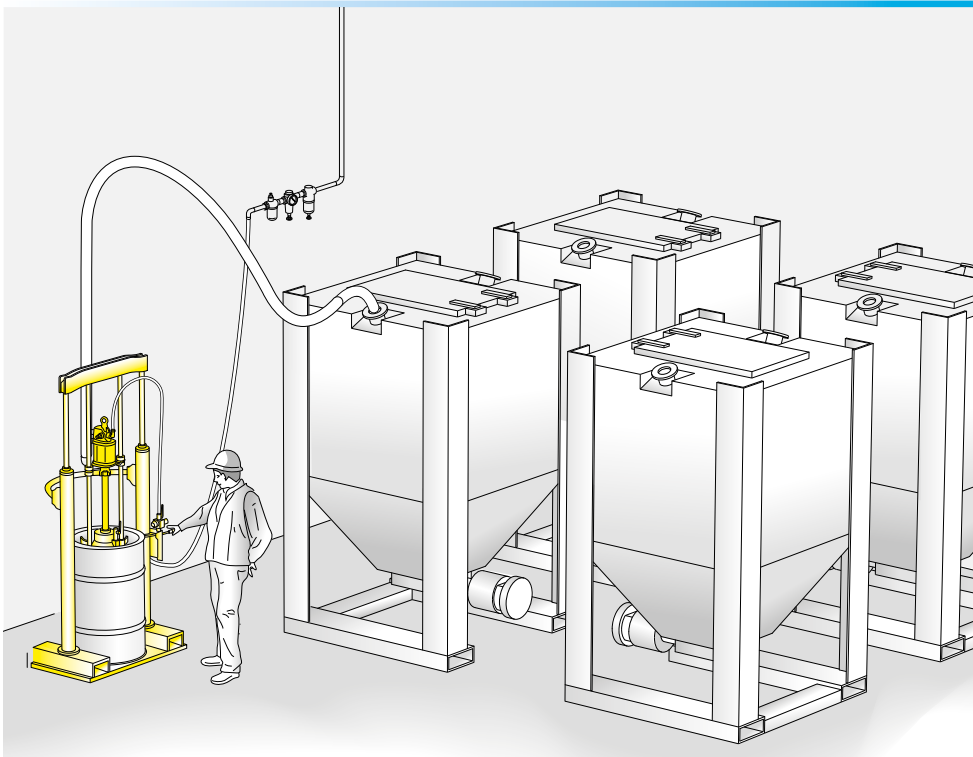
These articles may be used in any industrial contest, requiring the substantial, fast and safe pumping of:

- greases
- oils
- industrial fluids
- paints
- inks
- silicones and glues
- resins
- ... and many others



Excavator industry

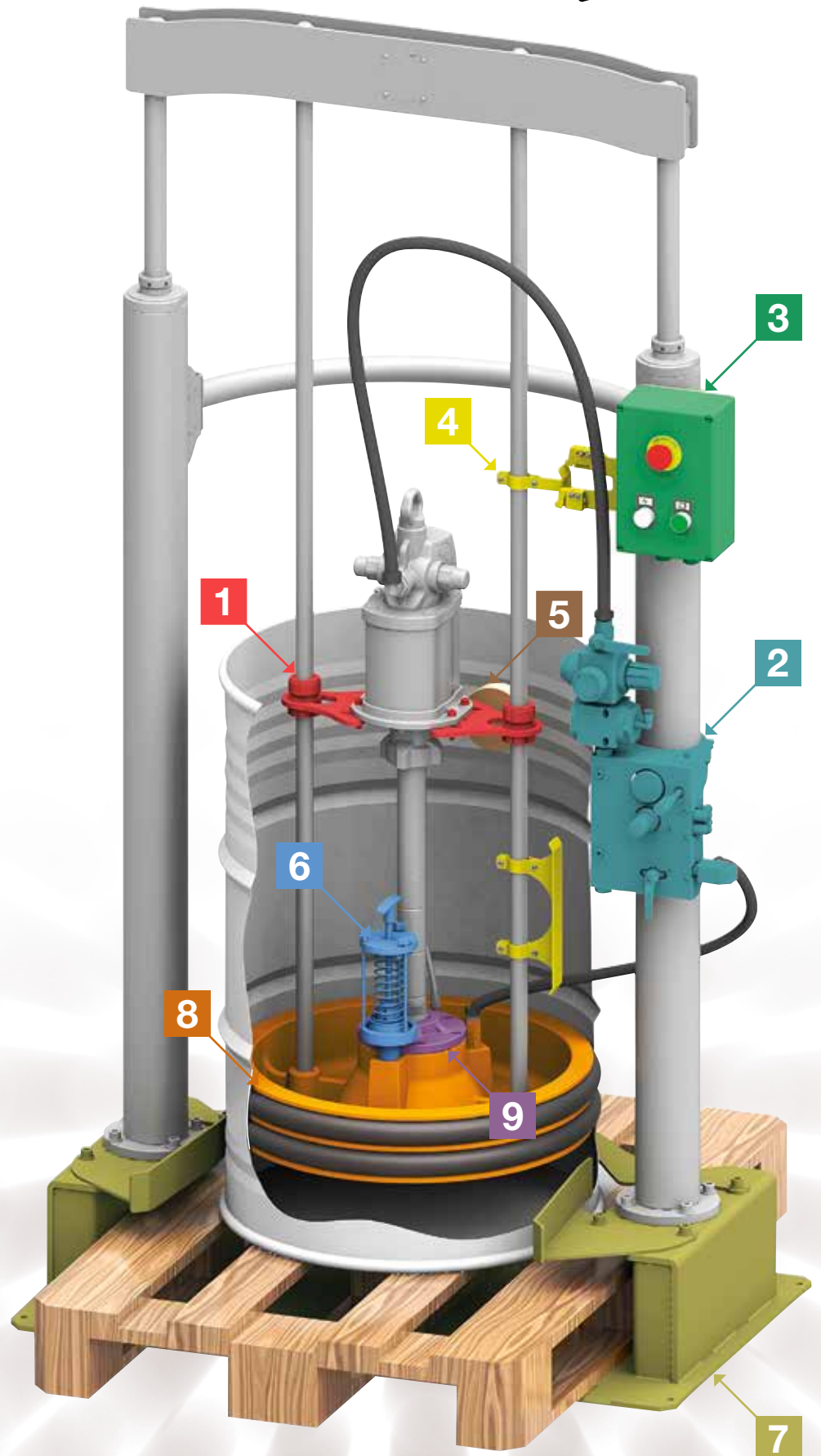
Glues and paints industry



Ram hoists

TECHNICAL CHARACTERISTICS

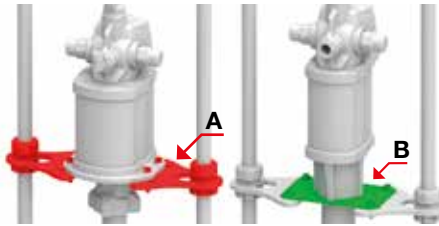
FULLOPTIONAL



1 Support with pump positioning clamps

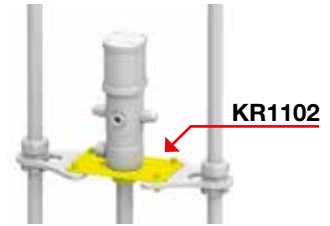
STANDARD BRACKETS

All the ram hoists are equipped with 2 standard brackets (A - B) suitable for mounting all our industrial pumps.

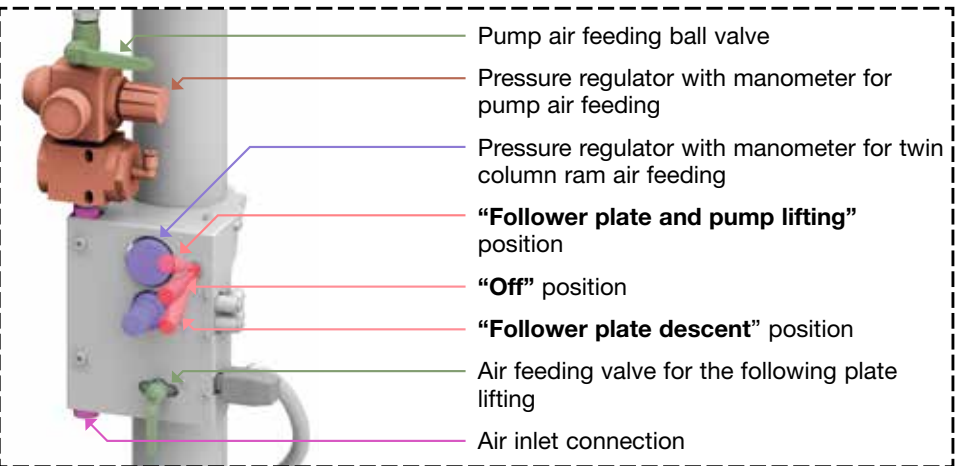


BRACKETS ON REQUEST

KR1102:
Support bracket suitable to mount pump with \varnothing 30 mm suction tube.



2 Pneumatic control panel



3 Electric-pneumatic hybrid control

5 Output pressure group control

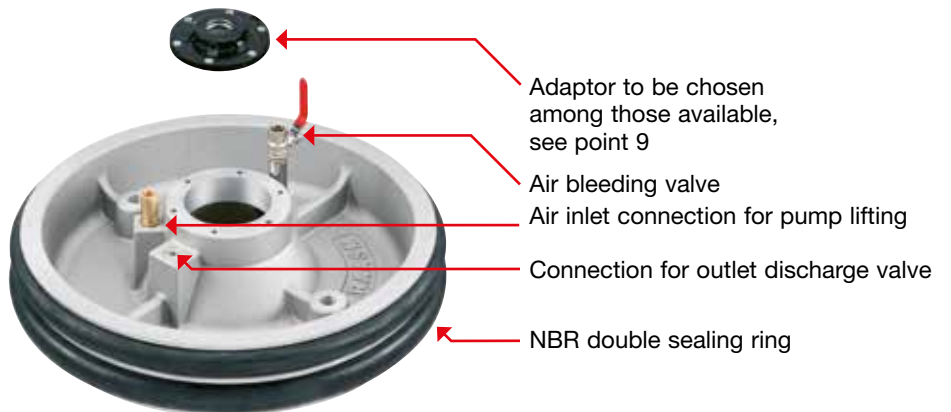
7 Base suitable for the accommodation of pallets with brackets to center the drum

4 Minimum and maximum drum level pneumatic control

6 Visible air bleeder

8 P/N 11/60
Follower plate \varnothing 585 mm with double sealing **NBR** ring, to be used with air operated twin column ram for drums 180 - 220 Kg. It can be used also with different kind of pumps thanks to special adaptors shown in the below list and available on request, see point 9.

Compatible fluids:
grease and lubricants also with high viscosity, industrial fluids, paints.



9



P/N 21/61
Adaptor suitable for pumps with F 1" G suction tube



P/N 21/62
Adaptor suitable for pumps with F 2" G suction tube



P/N 21/63
Adaptor + Support (KR1102) suitable for pumps with \varnothing 30 mm suction tube



P/N 21/64
Adaptor suitable for pumps with \varnothing 45 mm suction tube



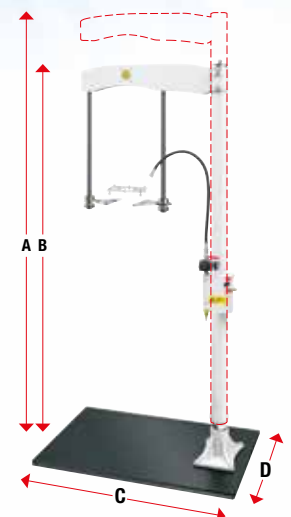
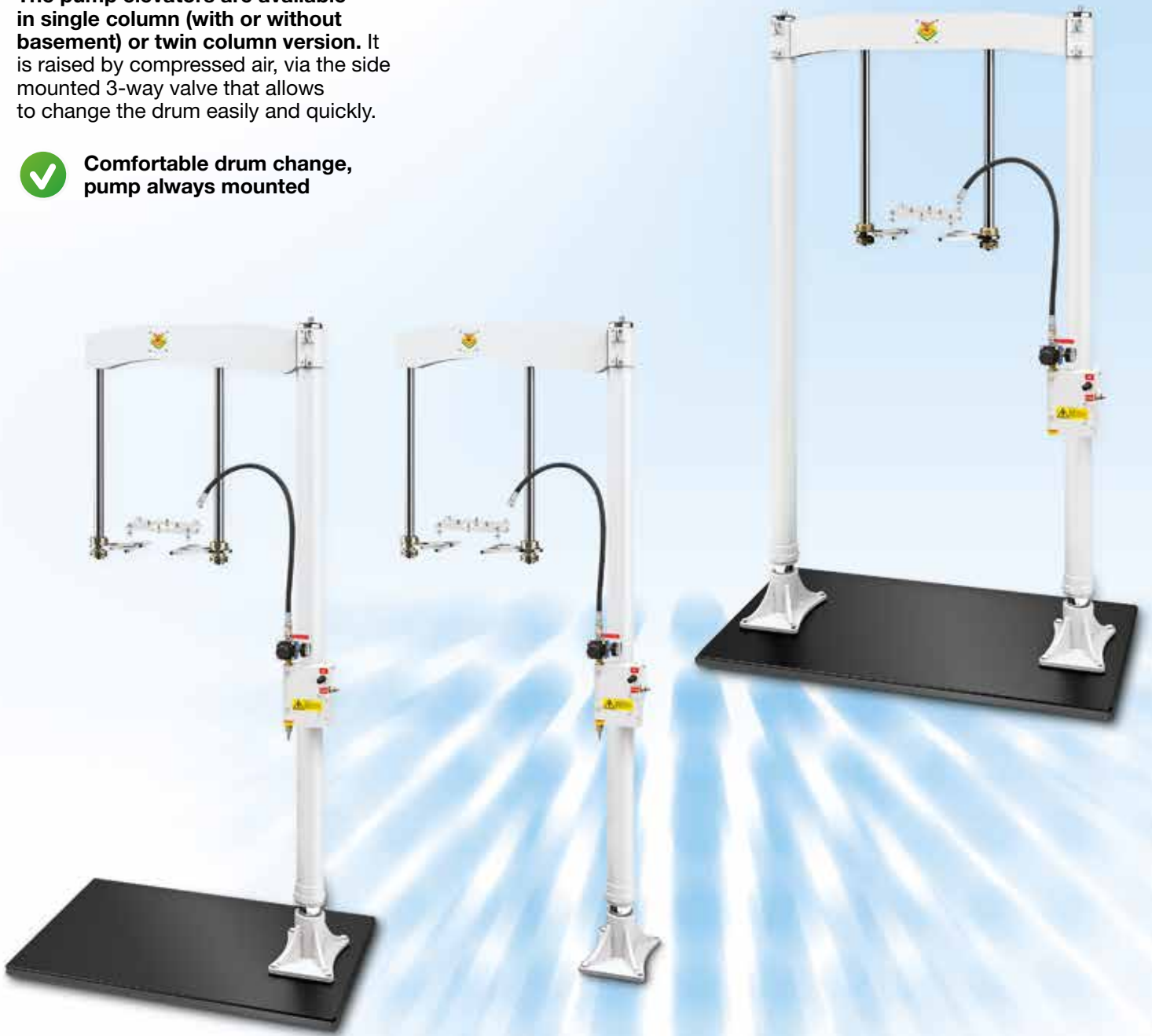
P/N 21/65
Adaptor suitable for pumps with \varnothing 50,8 mm suction tube



Air-operated pump elevator

The pump elevators are available in single column (with or without basement) or twin column version. It is raised by compressed air, via the side mounted 3-way valve that allows to change the drum easily and quickly.

- ✓ Comfortable drum change, pump always mounted



P/N	10/80	10/81	10/82
Column	1 with basement	1 without basement	2 with basement
Suitable for drums	180 - 220 Kg	180 - 220 Kg	180 - 220 Kg
Working temperature	+ 2 °C + 40 °C	+ 2 °C + 40 °C	+ 2 °C + 40 °C
Max pressure	8 bar	8 bar	8 bar
Usable pumps	S. 600 - 700 - 900 - 1200 - 1500 - 1800	S. 600 - 700 - 900 - 1200 - 1500 - 1800	S. 600 - 700 - 900 - 1200 - 1500 - 1800
Noise level	negligible (< 70 db)	negligible (< 70 db)	negligible (< 70 db)
Packing - Gross weight	📦 N° 1 packing m ³ 1,16 📦 Kg 97	📦 N° 1 packing m ³ 0,68 📦 Kg 75	📦 N° 1 packing m ³ 1,41 📦 Kg 128
Height max/min (A - B)	2750 - 1750 mm	2715 - 1715 mm	2750 - 1750 mm
Dimensions (C - D)	866 - 630 mm	140 - 255 mm	1086 - 630 mm

PERSONALIZED KIT

In order to satisfy any particular need it is possible to create a "Personalized kit". According to the kind of fluids, please follow the specific column and choose the right part number in each one of the 3 steps:

GREASE AND VISCOUS FLUIDS PROCEDURE

Choose the ram hoist (see page on the left), and then complete your kit with **Pump, Follower plate and Drum cover.**

1

Grease and viscous fluids pumps



P/N	62095	63095	91F/451	91C/701	116F/751	116F/401	151F/701
Series	600	700	900	900	1200	1200	1500
Ratio	50:1	65:1	45:1	70:1	75:1	40:1	70:1
Flow rate	1500 g/min	1900 g/min	4400 g/min	3000 g/min	4400 g/min	10000 g/min	7000 g/min
Seals	polyurethane	polyurethane	polyurethane	polyurethane	polyurethane	polyurethane	polyurethane
Suct. tube	940-ø 30 mm	940-ø 30 mm	940-ø 45 mm	940-ø 45 mm	940-ø 45 mm	940-ø 50,8 mm	940-ø 50,8 mm

2

Grease and viscous fluids follower plate



P/N 66590
Follower plate ø 585 mm for pumps with suction tube ø 30 mm

P/N 10/60
Follower plate ø 585 mm for pumps with suction tube ø 45 mm

P/N 10/65
Follower plate ø 585 mm for pumps with suction tube ø 50,8 mm

3

Grease and viscous fluids drum cover



P/N 65600
Drum cover ø 600 mm for pumps with suction tube ø 30 mm

P/N 10/50
Drum cover ø 600 mm for pumps with suction tube ø 45 mm

P/N 10/55
Drum cover ø 600 mm for pumps with suction tube ø 50,8 mm

Example

The kit is ready to use.



OIL AND INDUSTRIAL FLUIDS PROCEDURE

Choose the ram hoist (see page on the left), and then complete your kit with **Pump, Follower plate and Bung adaptor.**

Oil and viscous fluids pumps



P/N	91C/71	91F/71	91C/111	91F/111	116F/121	116F/181
Series	900	900	900	900	1200	1200
Ratio	7:1	7:1	11:1	11:1	12:1	18:1
Flow rate	30 l/min	30 l/min	30 l/min	30 l/min	30 l/min	23 l/min
Seals	polyurethane	polyurethane	polyurethane	polyurethane	polyurethane	polyurethane
Suct. tube	940 - ø 53 mm	940 - ø 53 mm	940 - ø 45 mm	940 - ø 45 mm	940 - ø 53 mm	940 - ø 45 mm

Oil and viscous fluids drum cover



P/N 10/50
Drum cover ø 600 mm for pumps with suction tube ø 45 mm

P/N 65160
Drum cover ø 600 mm with thread union 2" F

Oil and viscous fluids bung adaptor



P/N 10/14
Bung adaptor for pumps with suction tube ø 45 mm

P/N 38051
Bung adaptor for pumps with suction tube ø 50 mm

P/N 10/15
Bung adaptor for pumps with suction tube ø 50,8 mm

Example

The kit is ready to use.





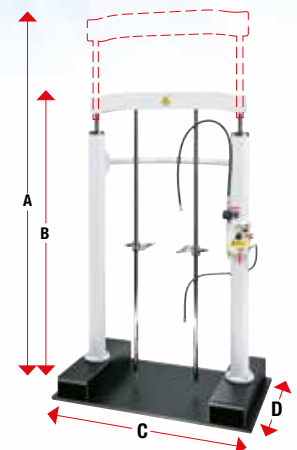
Ram hoists

The two versions P/N 10/85 and P/N 11/85 include the use of a follower plate with double seal to facilitate the pumping of grease with high viscosity. They differ according to the type of accommodation base for pallet.

- ✔ Simple positioning drum, efficient with viscous grease



P/N	10/85	11/85
Column	2	2
Suitable for drums	180 - 220 Kg	180 - 220 Kg
Working temperature	+ 2 °C + 40 °C	+ 2 °C + 40 °C
Max pressure	8 bar	8 bar
Usable pumps	S. 600 - 700 - 900 - 1200 - 1500 - 1800	S. 600 - 700 - 900 - 1200 - 1500 - 1800
Noise level	negligible (< 70 db)	negligible (< 70 db)
Pushing force downwards at:	* 4 bar 432 kg - 6 bar 648 kg - 8 bar 864 kg	4 bar 432 kg - 6 bar 648 kg - 8 bar 864 kg
Basament accommodation pallet	-	11/101
Packing - Gross weight	📦 N° 1 packing m³ 1,84 📦 Kg 187	📦 N° 1 packing m³ 1,84 📦 Kg 190
Height max/min (A - B)	2800 - 1800 mm	2800 - 1800 mm
Dimensions (C - D)	1086 - 630 mm	1086 - 630 mm



* theoretical valves, friction coefficient has not been considered. Furthermore depression's force created by the pump during suction (+2100 Kg) must be added to the listed figures.

PERSONALIZED KIT

In order to satisfy any particular need it is possible to create a “Personalized kit”. According to the kind of fluids choose the right part number in each one of the 4 steps:

1

Grease, viscous fluids, oil and industrial fluids pumps

Choose the ram hoist (see page on the left), and then complete your kit according with your needs with one of the industrial pump below. We introduce the main versions but all the RAASM industrial pumps are suitable.



P/N	150D/61	180D/81	90F/111	115F/181	90FSP/451	115FSP/751	118FSP/401	153FSP/701
Series	1500	1800	900	1200	900	1200	1200	1500
Ratio	6:1	8:1	11:1	18:1	45:1	75:1	40:1	70:1
Flow rate	80 l/min	65 l/min	30 l/min	23 l/min	4400 g/min	4400 g/min	10000 g/min	7000 g/min
Seals	polyurethane	polyurethane	polyurethane	polyurethane	polyurethane	polyurethane	polyurethane	polyurethane
Suct. tube	F 2" G	F 2" G	480 - ø 45 mm	480 - ø 45 mm	500 - ø 45 mm	500 - ø 45 mm	600 - ø 50,8 mm	600 - ø 50,8 mm

2

Follower plate

Add to the kit the follower plate with double seal P/N 11/60.



P/N 11/60
Follower plate ø 585 mm
with NBR double seal ring.

3

Adaptor

Choose the adaptor to mount on the follower plate P/N 11/60 according with the pump suction tube diameter.



P/N 21/61
Adaptor suitable for pumps with F 1" G suction tube.

P/N 21/62
Adaptor suitable for pumps with F 2" G suction tube.

P/N 21/64
Adaptor suitable for pumps with ø 45 mm suction tube.

P/N 21/63
Adaptor + Support (KR1102) suitable for pumps with ø 30 mm suction tube.

P/N 21/65
Adaptor suitable for pumps with ø 50,8 mm suction tube.

4

Optional

If you need or if you want something more add one of the available optional introduced on page 19.



Example

The kit is ready to use.





Ram hoist kits

Air-operated twin column ram hoist with industrial pump.

It is raised and lowered by compressed air, via the side mounted 3-way valve. Essential when pumping high viscosity and heavy fluids since ram pushes down the follower plate helping pump working. It is suitable for 180- 220 Kg drums.



useful with higher viscosity grease and higher distances

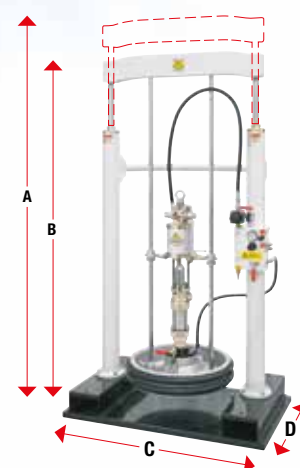


P/N	10/1561P1N	10/1881P1N	10/09111P1N	10/12181P1N	
Twin column ram	10/85	10/85	10/85	10/85	
Follower plate in NBR	11/60	11/60	11/60	11/60	
Adaptor	21/62	21/62	21/64	21/64	
Pump with seals in PU	150D/61	180D/81	90F/111	115F/181	
Ratio	6:1	8:1	11:1	18:1	
Flow rate	80 l/min	65 l/min	30 l/min	23 l/min	
Suction tube	F 2" G	F 2" G	ø 45 mm	ø 45 mm	
Pump connection hose	996.3015	996.3015	996.3015	996.3015	
Follower plate connection hose	995.301	995.301	995.301	995.301	
Suitable for drums	180 - 220 Kg	180 - 220 Kg	180 - 220 Kg	180 - 220 Kg	
Packing - Gross weight	N° 1 packing m³ 1,80 Kg 247	N° 1 packing m³ 1,80 Kg 250	N° 1 packing m³ 1,80 Kg 220	N° 1 packing m³ 1,80 Kg 224	
Height max/min (A - B)	2800 - 1800 mm	2800 - 1800 mm	2800 - 1800 mm	2800 - 1800 mm	
Dimensions (C - D)	1086 - 630 mm	1086 - 630 mm	1086 - 630 mm	1086 - 630 mm	

The kits offered in these two pages differ in the industrial pneumatic pumps installed. Usable with drums from 180 to 220 kg, they are designed to pump also very viscous fluids and grease at various distances. According to the personal needs, choose the most suitable model and, eventually, personalize it with the accessories on page 19.



	10/12401P1N	10/09451P1N	10/12751P1N	10/15701P1N
	10/85	10/85	10/85	10/85
	11/60	11/60	11/60	11/60
	21/65	21/64	21/64	21/65
	118FSP/401	90FSP/451	115FSP/751	153FSP/701
	40:1	45:1	75:1	70:1
	10 kg/min	4,4 kg/min	4,4 kg/min	7 kg/min
	ø 50,8 mm	ø 45 mm	ø 45 mm	ø 50,8 mm
	996.3015	996.3015	996.3015	996.3015
	995.301	995.301	995.301	995.301
	180 - 220 Kg	180 - 220 Kg	180 - 220 Kg	180 - 220 Kg
	N° 1 packing m³ 1,80 Kg 225	N° 1 packing m³ 1,80 Kg 223	N° 1 packing m³ 1,80 Kg 225	N° 1 packing m³ 1,80 Kg 231
	2800 - 1800 mm	2800 - 1800 mm	2800 - 1800 mm	2800 - 1800 mm
	1086 - 630 mm	1086 - 630 mm	1086 - 630 mm	1086 - 630 mm





Ram hoist kits

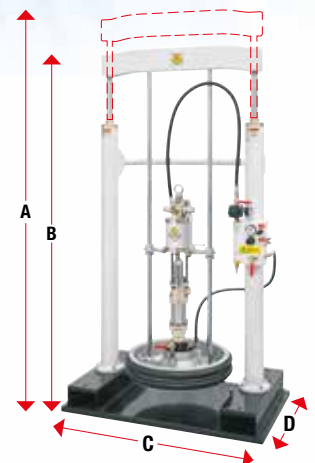
Air operated twin column ram hoist with industrial pump. The underlying models include as a standard accessory the accommodation base pallet, essential for positioning easily and correctly the pallet where the drum rests. Additionally, various accessories are available, which increase the safety and functionality of the article, assembled singularly or simultaneously according to the code. Only the model "Full Optional" P/N 11/12751P1NH presents all the equipment listed on pages 10 and 11. Kits are suitable for drums from 180 to 220 kg.

✓ **Customizable for higher safety and functionality**

FULLOPTIONAL
see page 10-11



P/N	11/12401P1N	11/12751P1N	11/12401P1NG	11/12751P1NH
Twin column ram	11/85	11/85	11/85	11/85
Follower plate in NBR	11/60	11/60	11/60	11/60
Adaptor	21/65	21/64	21/65	21/64
Pump with seals in PU	118FSP/401	115FSP/751	118FSP/401	115FSP/751
Ratio	40:1	75:1	40:1	75:1
Flow rate	10 kg/min	4,4 kg/min	10 kg/min	4,4 kg/min
Suction tube	ø 50,8 mm	ø 45 mm	ø 50,8 mm	ø 45 mm
Pump connection hose	996.3015	996.3015	996.3015	996.3015
Follower plate connection hose	995.301	995.301	995.301	995.301
Suitable for drums	180 - 220 Kg	180 - 220 Kg	180 - 220 Kg	180 - 220 Kg
Pneumatic limit switch	-	-	11/130	11/130
Visible drain valve	-	-	11/102	11/102
Electric pneumatic hybrid control	-	-	-	11/140
System pressure relief valve	-	-	-	11/104
Packing - Gross weight	☐ N° 1 packing m ³ 1,80 ☒ Kg 275	☐ N° 1 packing m ³ 1,80 ☒ Kg 215	☐ N° 1 packing m ³ 1,80 ☒ Kg 275	☐ N° 1 packing m ³ 1,80 ☒ Kg 285
Height max/min (A - B)	2950 - 1950 mm	2950 - 1950 mm	2950 - 1950 mm	2950 - 1950 mm
Dimensions (C - D)	1086 - 630 mm	1086 - 630 mm	1086 - 630 mm	1086 - 630 mm





Ram hoist accessories 180 - 220 Kg



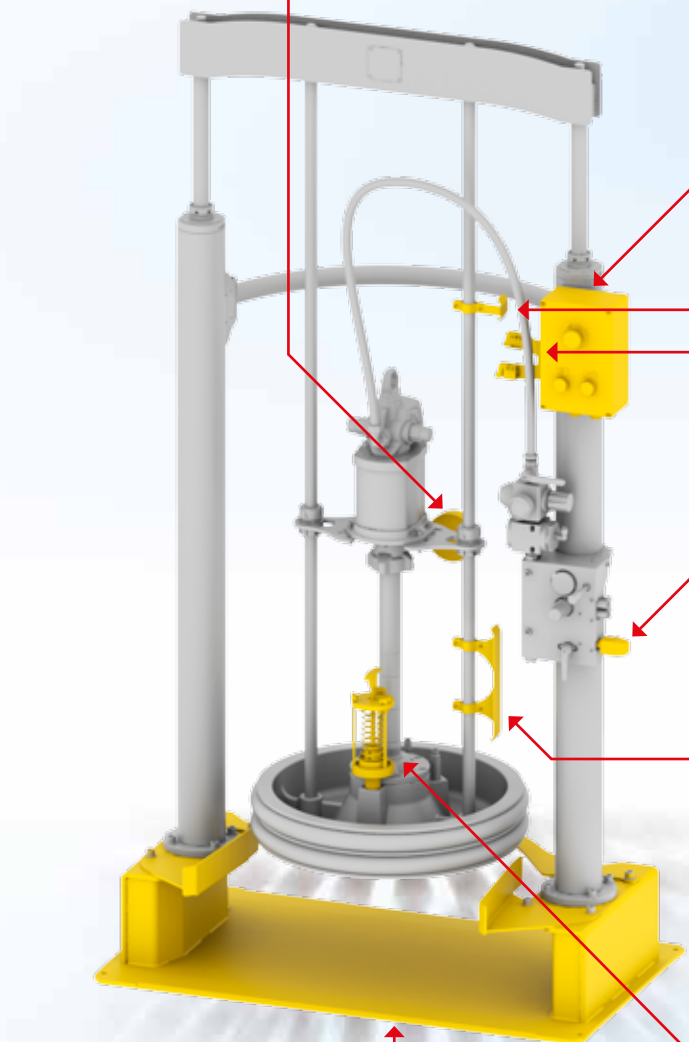
P/N 11/104
System maximum pressure relief valve (pump output), which can be manually set



P/N 11/103
(to integrate with P/N 11/140)
Outlet pneumatic system pressure relief valve



P/N 11/140
(to integrate with P/N 11/103)
Hybrid electric-pneumatic control: features a system discharge timer manually settable, which activates valve P/N 11/103



P/N 11/130
Pneumatic controls of the maximum and minimum drum's levels



P/N 11/101
Hoist base for pallet accommodation to facilitate drum's substitution



P/N 11/102
Visible air bleeder for fluid press hoist: eliminates air pockets inside the drum, leaving a clean environment



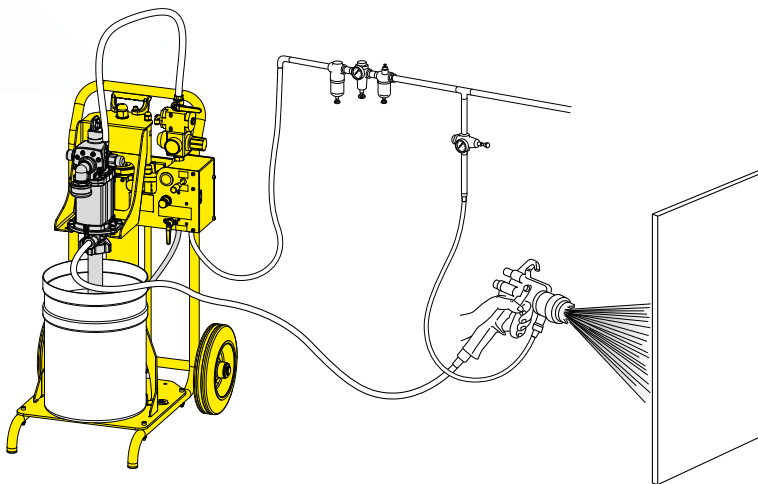
18 - 30 Kg drums



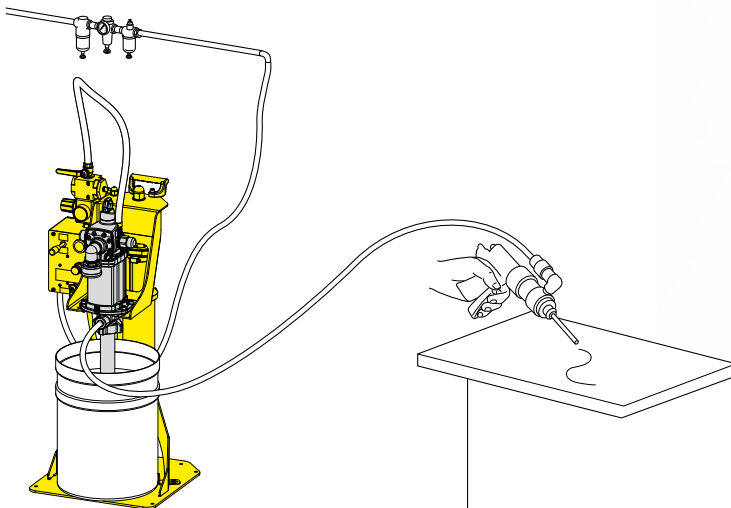


**ADVANCED FLUID
MANAGEMENT SOLUTIONS**

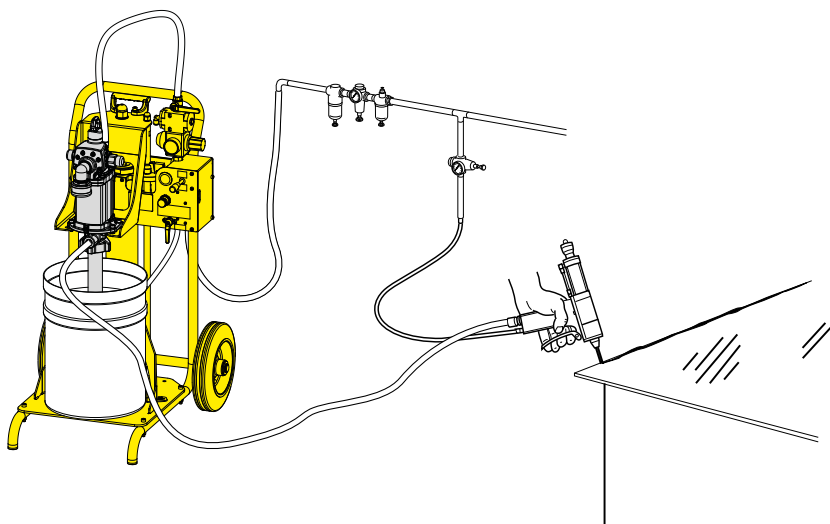
APPLICATION FIELDS



Fluid distribution system
(for paints, lubricants, protective liquids, etc.)
with spray gun.



Automated system for the delivery of preselected quantities
of fluids (inks, paints, greases, etc.).



Application of sealants, adhesives, greases, etc.,
by means of special delivery gun.

The pneumatic piston pump hoists, operating with follower plate, can compress **grease** even beyond the NLGI 3 grade, **very viscous fluids** and even with particularly high temperatures.

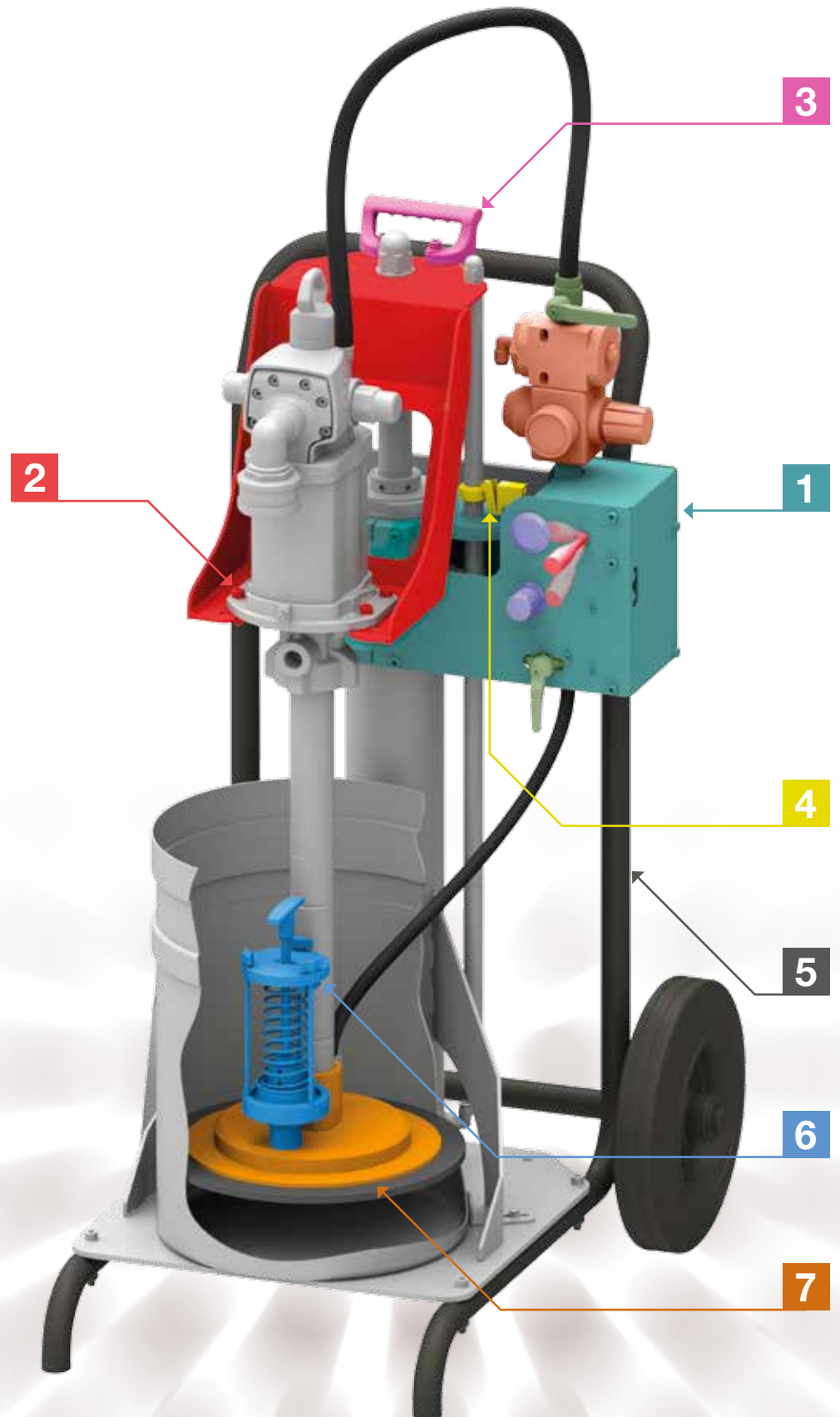
These articles can be used in any industrial contest that might need the substantial, fast and safe pumping:

- greases
- oils
- industrial fluids
- paints
- inks
- silicones and glues
- resins
- ... and many others

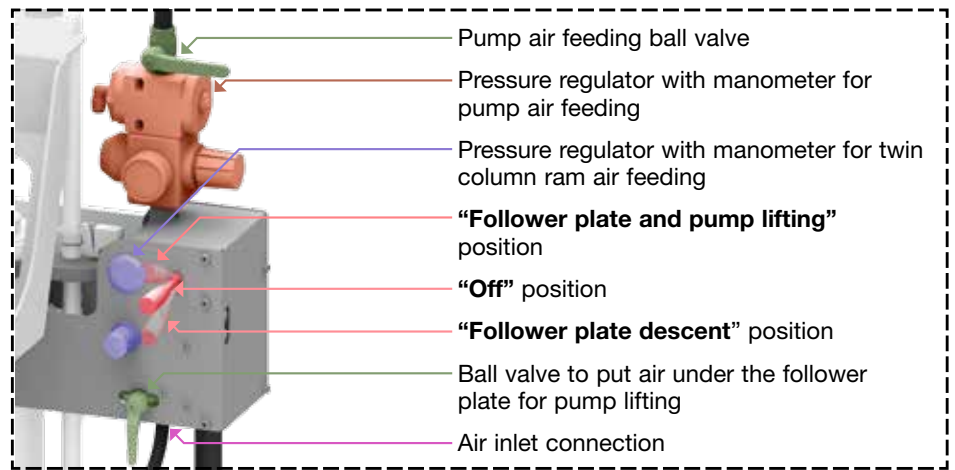
Ram hoists

TECHNICAL CHARACTERISTICS

FULLOPTIONAL



1 Pneumatic control panel



2 Support with pump positioning clamps

5 Trolley for the kit

3 Handle to facilitate the moving of the cart

6 Visible air bleeder

4 Minimum drum level pneumatic control

7 Follower plate

Strength points

- **Facilitates the exchange of the drum:** the base allows both the drum's exchange and its correct positioning.
- **Unparalleled efficiency:** the pneumatic control of the drum's minimum level simplifies the work operations.
- **Convenience in any situation:** the drum's movable cart allows the easy moving of the pump to get close to the distribution point.
- **For small size drums:** designed to accommodate the needs of those who work with drums from 18 to 30 kg.
- **Avoids air pockets in the drum:** thanks to the visible air bleeder, all air pockets are eliminated from inside the drum, leaving a clean work environment.
- **For extremely dense fluids:** ideal for pumping fluids with high viscosity and grease beyond even the NLGI 3 grade (work temperature to be checked).







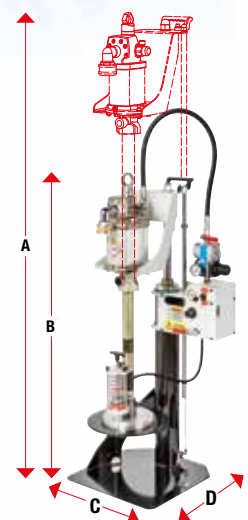
Ram hoists 18 - 30 Kg

Air-operated single column ram hoist with industrial pump. It is raised and lowered by compressed air, via the side mounted 3-way valve. Essential when pumping high viscosity and heavy fluids since ram pushes down the follower plate helping pump working. It is suitable for 18 - 30 Kg drums. **The follower plate available on request, is suitable for drums with max diameter 310 mm and max height 490 mm.**

 **Comfortable and safety**



P/N	12/85	12/85B
Suitable for drums	18 - 30 Kg	18 - 30 Kg
Minimum level pneumatic control	no	yes
Working temperature	+ 2 °C + 40 °C	
Max pressure	3 bar	
Usable pumps	S. 900 - 1200	
Noise level	negligible (< 70 db)	
Pushing force downwards at:	* 1 bar 55 kg - 1,5 bar 81 kg	
Packing - Gross weight	 N° 1 packing m³ 0,30  Kg 61,1	 N° 1 packing m³ 0,30  Kg 61,6
Height max/min (A - B)	1460 - 970 mm	1460 - 970 mm
Dimensions (C - D)	500 - 480 mm	500 - 480 mm



* theoretical valves, friction coefficient has not been considered. Furthermore depression's force created by the pump during suction (+2100 Kg) must be added to the listed figures.

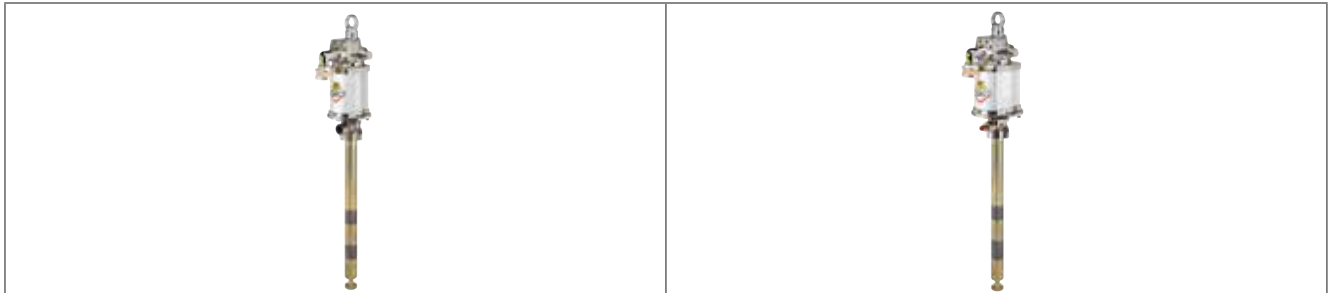
PERSONALIZED KIT

In order to satisfy any particular need it is possible to create a "Personalized kit". According to the kind of fluids, choose the right part number in each one of the 4 steps:

1

Grease, viscous fluids, oil and industrial fluids pumps

Choose the ram hoist (see page on the left), and then complete your kit according with your needs with one of the industrial pump below.



P/N	90FPM/451	115FPM/751
Series	900	1200
Ratio	45:1	75:1
Flow rate	4400 g/min	4400 g/min
Seals	PU	PU
Suct. tube	500 - ø 45 mm	500 - ø 45 mm

2

Follower plate

Add to the kit the follower plate.



P/N 11/34
Follower plate ø 310 mm
 with NBR seal ring and suction tube adaptor ø 45 mm (for drum internal ø 260 - 310 mm)

3

Trolley

Choose if you want a mobile unit.



P/N 80030
Trolley for ram hoist
 18 - 30 Kg

4

Optional

If you need something more add one of the available optional introduced on page 28.



Example

The kit is ready to use.





Ram hoist kits

Air operated single column ram hoist with industrial pump.

The following models, with or without trolley, provide some useful accessories to increase the safety and functionality of the article, assembled singularly or simultaneously, according to the code. Only the models "Full Optional"

P/N 22/09451P1NG and P/N 22/12751P1NG present all the equipment listed on pages 22 and 23. Kits are suitable for drums from 18 to 30 kg. **The available membrane is suitable for drums with a max ø of 310 mm and a max height of 490 mm.**



Flexibility and safety



P/N without TROLLEY	12/09451P1N	12/12751P1N	12/09451P1NA	12/12751P1NA	
P/N with TROLLEY	22/09451P1N	22/12751P1N	22/09451P1NA	22/12751P1NA	
Twin column ram	12/85	12/85	12/85	12/85	
Follower plate in NBR	11/34	11/34	11/34	11/34	
Pump with seals in PU	90FMP/451	115FMP/751	90FMP/451	115FMP/751	
Ratio	45:1	75:1	45:1	75:1	
Flow rate	4400 g/min	4400 g/min	4400 g/min	4400 g/min	
Suction tube	500 mm	500 mm	500 mm	500 mm	
Visible air bleeder	-	-	11/102	11/102	
Minimum level pneumatic control	no	no	no	no	
Pump connection hose	996.301	996.301	996.301	996.301	
Follower plate connection hose	993.201	993.201	993.201	993.201	
Suitable for drums	18 - 30 kg	18 - 30 kg	18 - 30 kg	18 - 30 kg	
Packing - Gross weight (without trolley)	📦 N° 1 packing m ³ 0,58 📦 Kg 79,4	📦 N° 1 packing m ³ 0,58 📦 Kg 81,0	📦 N° 1 packing m ³ 0,58 📦 Kg 80,0	📦 N° 1 packing m ³ 0,58 📦 Kg 81,6	
Packing - Gross weight (with trolley)	📦 N° 1 packing m ³ 0,58 📦 Kg 96,1	📦 N° 1 packing m ³ 0,58 📦 Kg 97,7	📦 N° 1 packing m ³ 0,58 📦 Kg 76,7	📦 N° 1 packing m ³ 0,58 📦 Kg 98,3	
Height max/min (A - B)	1560 - 1070 mm	1560 - 1070 mm	1560 - 1070 mm	1560 - 1070 mm	
Dimensions (C - D)	610 - 725 mm	610 - 725 mm	610 - 725 mm	610 - 725 mm	

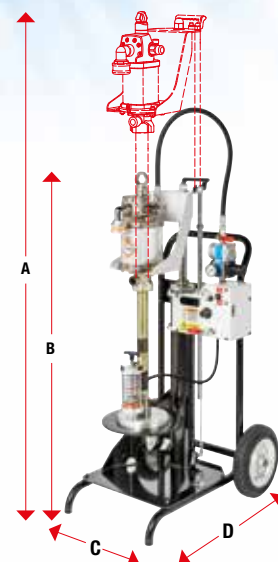
* dimensions without trolley see page 24

Kits P/N 22/09451P1NG and P/N 22/12751P1NG on this page feature all the available accessories to make the single column ram hoist the most performant possible. In particular, kits are on movable trolley to facilitate the moving of the pump and they offer the visible air bleeder and the pneumatic control of the minimum level of the drum.

FULLOPTIONAL
see page 22-23



	12/09451P1NB	12/12751P1NB	12/09451P1NG	12/12751P1NG
	22/09451P1NB	22/12751P1NB	22/09451P1NG	22/12751P1NG
	12/85B	12/85B	12/85B	12/85B
	11/34	11/34	11/34	11/34
	90FMP/451	115FMP/751	90FMP/451	115FMP/751
	45:1	75:1	45:1	75:1
	4400 g/min	4400 g/min	4400 g/min	4400 g/min
	500 mm	500 mm	500 mm	500 mm
	-	-	11/102	11/102
	yes	yes	yes	yes
	996.301	996.301	996.301	996.301
	993.201	993.201	993.201	993.201
	18 - 30 kg	18 - 30 kg	18 - 30 kg	18 - 30 kg
	☐ N° 1 packing m³ 0,58 ☐ Kg 80,0	☐ N° 1 packing m³ 0,58 ☐ Kg 81,5	☐ N° 1 packing m³ 0,58 ☐ Kg 80,5	☐ N° 1 packing m³ 0,58 ☐ Kg 82,1
	☐ N° 1 packing m³ 0,58 ☐ Kg 96,6	☐ N° 1 packing m³ 0,58 ☐ Kg 98,2	☐ N° 1 packing m³ 0,58 ☐ Kg 97,2	☐ N° 1 packing m³ 0,58 ☐ Kg 98,8
	1560 - 1070 mm	1560 - 1070 mm	1560 - 1070 mm	1560 - 1070 mm
	610 - 725 mm	610 - 725 mm	610 - 725 mm	610 - 725 mm





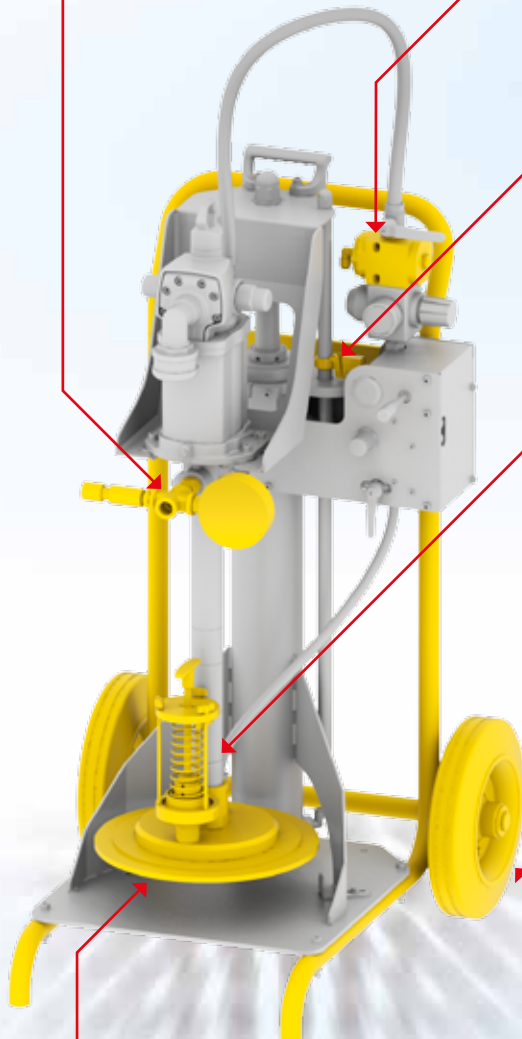
Ram hoist accessories 18 - 30 Kg



P/N 11/104
System pressure relief valve



P/N 12/130
Pneumatic control of the minimum drum's level



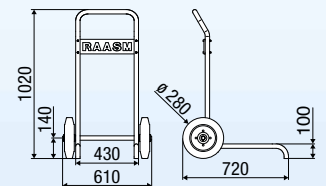
P/N 11/102
Visible air bleeder for fluid press hoist, eliminates air pockets inside the drum leaving the environment clean



P/N 11/34
Membrane
ø 310 mm with NBR seal ring and 45 mm ø suction tube adaptor (for drum internal ø 260 - 310 mm)



P/N 80030
Trolley suitable for 18 to 30 kg drums



RAASM products
are present worldwide through a network of
qualified dealers.



GENERAL SALES CONDITIONS

FOR FOREIGN MARKETS



The following general sales conditions regulate the sale of goods and services by the company RAASM S.p.A. for customers residing outside the territory of the Italian State.

Art. 1 GOODS DELIVERY TERMS

The goods are delivered ex works RAASM S.p.A.. The subsequent transport / shipment must occur by, in the name and at the expense of the purchasing customer, even by means of carrier designated by the same. All risks arising from loading, subsequent custody and transport are borne entirely by the purchasing customer.

Art. 2 MINIMUM ORDERS

Each order cannot be for less than €. 1,500.00, net of taxes, discounts and rebates. If, at the option of RAASM S.p.A., orders for lower amounts are accepted, an extra charge of €. 155.00 shall be applied for order management administrative expenses.

Art. 3 ACCESSORIES

All the accessories given in the price list are supplied exclusively for fitting to or combining with the items RAASM S.p.A. produces.

Art. 4 COMPLAINTS

Any defects immediately noticed after a brief inspection of the goods (damage, shortages or different product from that ordered) must be notified in writing to our company within 8 (eight) days of receipt of the goods. Any defects in the product noticeable only during its use must be notified in writing to RAASM S.p.A. within 8 (eight) days of being detected.

Any returns of goods must be authorized in advance by RAASM S.p.A. and freight charges are at the customer's expenses.

Art. 5 DELIVERY TIMES/TERMS

Delivery times and dates are only approximate and are subject to change. Any delays in delivery do not entitle the customer to cancel the order or claim compensation for damages caused by delay of delivery. Delivery times for urgent orders must be agreed directly by RAASM S.p.A.. RAASM S.p.A. has the right not to carry out the order and/or totally or partially carry it out, without this giving rise to reimbursement or claims for compensation for damage.

Art. 6 PACKS AND PACKAGING

Packaging costs are included in the price, except for special packing, which shall be charged at cost.

Art. 7 PRICES

In the event of changes to our price list and/or individual items, the goods shall be forwarded at the price in force on the day of delivery. The price list and/or the prices of individual items can be changed even without notice, according to the changes in market conditions or technical innovations/modifications made to the product. The prices are understood to be ex works RAASM S.p.A..

Art. 8 PAYMENTS

Payments must be made exclusively to RAASM S.p.A. at the agreed conditions. Under no circumstances will deductions or roundings be accepted. In case of late payment with respect to the agreed conditions, RAASM S.p.A. reserves the right to charge interest at the current rate, effective from the day after that agreed for payment, plus any additional expenses. Discounts conditional on the payment term and already credited shall be recharged.

Art. 9 WARRANTY

RAASM S.p.A. provides each product with the communication of particular instructions for the installation, use and maintenance requirements and the need to carry out possible checks on the product. Incorrect installation, use or maintenance of the product shall void the warranty. The articles must be returned free to our Factory for checking and acceptance. All the technical information and data mentioned in the catalogue and in the price-list in force are not binding and can be changed without prior notice for the purpose of improving the quality of the products. All products manufactured by RAASM S.p.A. are guaranteed for a period of 1 (one) years. The 5 (five) year guarantee does not apply to components which are subject to normal wear and tear (such as gaskets, membranes, O-rings, hoses, etc), electronic components and items that are sold but not manufactured by RAASM S.p.A. (marked with an asterisk in the current product catalogue) which are guaranteed for 1(one) year.

Art. 10 RESPONSIBILITY

RAASM S.p.A. is exempt from any responsibility and liability for accidents that may occur to persons and property, as a result of or during the use of the equipment, due to or depending on the same whenever the products have been damaged during transport, tampered with or modified, or improperly used, or stored, installed, protected and preserved without complying with the instructions of RAASM S.p.A. as given in the installation, use and maintenance instruction manuals for each product.

RAASM S.p.A. is liable for the value for the supplied product and cannot be held responsible in any way for other possible costs or additional costs that the customer may bear.

Art. 11 COMPETENT LAW COURT

Any disputes shall be settled by the Law Court of Vicenza, Italy.

RAASM

The company RAASM S.p.A. holds the exclusive Intellectual Property rights on the RAASM trademark and all rights to its use and reproduction are reserved.

The RAASM trademark is a registered trademark and is protected at an international level. No part of the RAASM trademark and its logo may be utilized, copied and/or used in any form, time and space, even by means of improper alterations.

The Intellectual Property rights on the images published in this catalogue are owned exclusively by RAASM S.p.A. and any unauthorized reproduction is prohibited.

Any use in general of the assets protected by the Intellectual Property rights of RAASM S.p.A. is prohibited and is subject to the prior written permission of RAASM S.p.A.

ADVANCED FLUID MANAGEMENT SOLUTIONS



The manufacturer declines any responsibility for possible inaccuracies contained in this catalogue, due to printing or transcription errors.

The manufacturer reserves the right to make any changes or improvements of a functional, technical or aesthetic nature without prior notice.

The publication and the reprint of this catalogue is forbidden.



THREE WORDS TO DESCRIBE RAASM

■ Technology

The starting point for the entire production cycle is the research and development of cutting-edge new solutions which lead to the development of **high quality products, fully produced in Italy.**



■ Quality

The quality of our product manufacturing has always been our absolute priority. To reach this goal rigorous testing accompanies every phase of the manufacturing process.



■ Functionality

RAASM offers the most complete range of lubrication products suited to many sectors. Our aim is to always be available to provide solutions to our customers.



Authorized distributor



RAASM S.p.A.
36022 S. ZENO DI CASSOLA (VI)
Via Marangoni, 33 - ITALY

Export department
Tel. +39 0424 571130 - Fax 0424 571135
Technical department
Tel. +39 0424 571150 - Fax 0424 571155

info@raasm.com
www.raasm.com

GB

WRSOL2015-GB