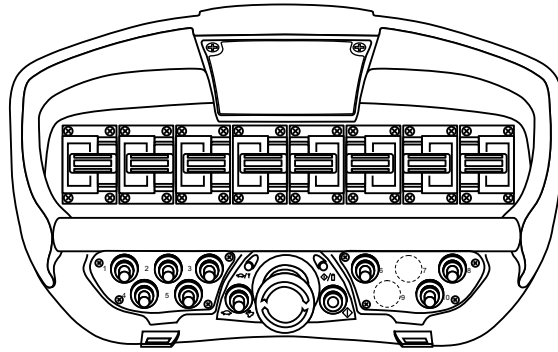
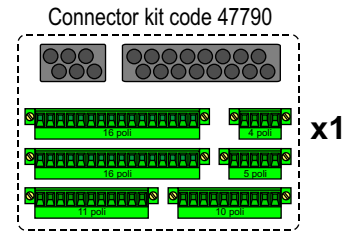
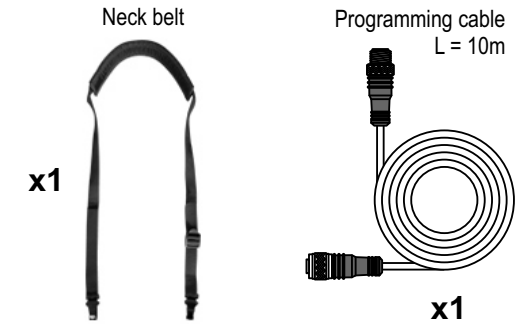
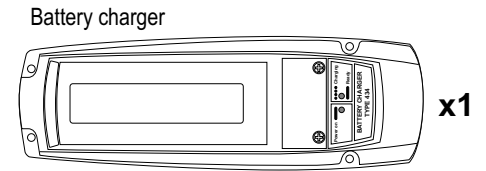
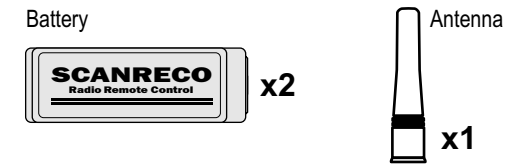
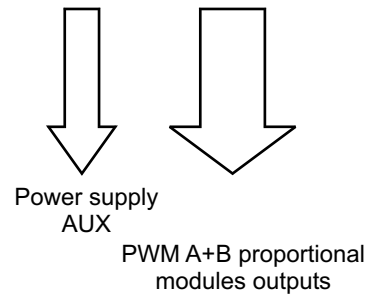
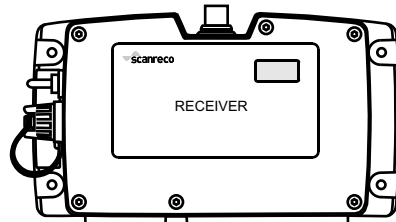


PORTABLE
CONTROL
UNIT
Type 48752



CENTRAL
UNIT G2B
Type 3010



Manual & Documents

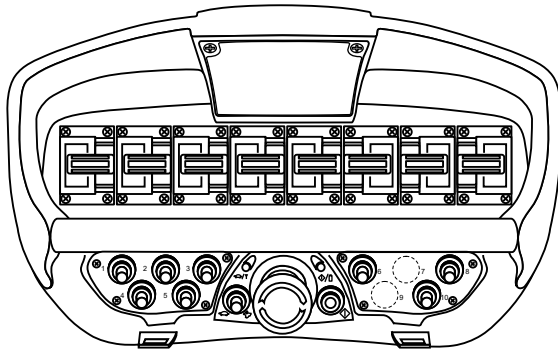


ACCESORIES

0	11/03/2016	Emissione		
Rev.	Date	Description		
		FM	2	1
		Designed		

		CODE:	PR6MU018SSY4		
DESC: Scanreco RC400 G2B radio remote control global view with Maxi PCU and PWM outputs					
FILE: ...\\Salhydro\\Radio\\G2B\\3010 ter maxi 8L\\PR6MU018SSY4-0.cdr					
DATE:	11/03/16	REV.	0	SHEET	1 OF 3

1A	2A	3A	4A	5A	6A	7A	8A
↕	↕	↕	↕	↕	↕	↕	↕
1B	2B	3B	4B	5B	6B	7B	8B



Switch connections

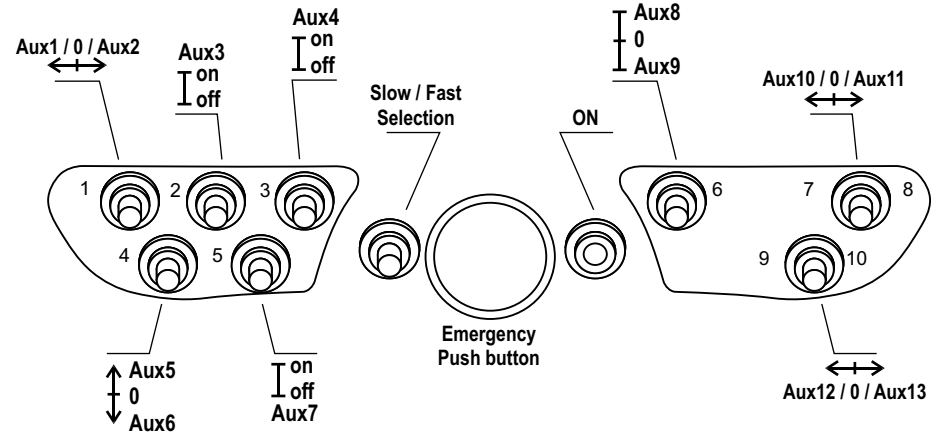
	left/up	center	right/down
SW1:	1 > 0 < 2		
SW2:	3 - 0		
SW3:	4 - 0		
SW4:	5 > 0 < 6		
SW5:	7 - 0		
SW6:	11 - 0 - 12		
SW8:	13 > 0 < 14		
SW10:	15 > 0 < 16		

|| - = detent
 ↔ >/< = spring return

Outputs map

pos	DF	OUT	pos	DF	OUT
1	1	1	11	10	9
2	3	2	12	11	10
3	4	3	13	12	11
4	7	4	14	13	12
5	31	5	15	9	13
6	5	6	16	8	14
7	32	7	17	37	-
8	2	-	18	34	-
9	6	-	19	35	-
10	33	-	20	36	-

Clacson/Horn	17	-
Emergency Stop	40	8



PCU configuration:

- PCU off time = 5 min.
- Disconnect LED activated.
- 5 levels of speed reduction active (Micro).

CU configuration:

- CAN BUS: ID 100, Baud rate 250Kbs, Slave, Can filter active, Error Frame control not active, Termination not active.
- DV delay: 0.5 sec.
- Only one SET of speed: SET1 multifunction.

Digital outputs:

- Maximum current: 1.8A.
- The loads connected to the digital outputs shall have the freewheel diode mounted.
- Emergency stop output (Out8): positive when PCU is connected with CU.

PWM outputs:

- Calibrations for 12Vdc Salami VDP-08 proportional modules: Imin. = 200mA, Imax. = 1500mA, Frequency = 100Hz and Dhiter 300.

General information:

- The programming cable is used to bypass radio mode or to program the radio remote control.
- For all other radio remote control information, see the "User manual".

Note di produzione:

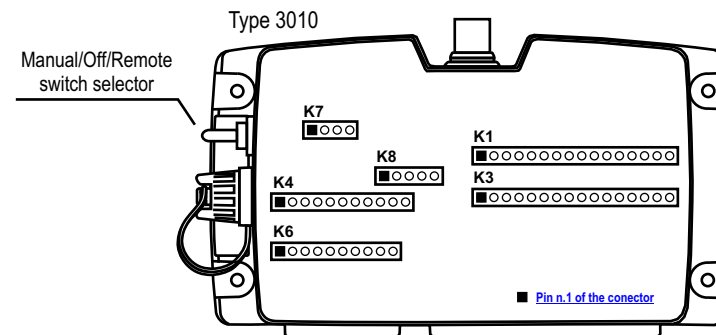
- Pulsantiera:** Tempo di spegnimento pulsantiera = 5 min. 5 livelli Micro. Disconnect LED attivo.
- Ricevente:** Solo SET1 multifunzione. Ritardo spegnimento DV 0.5 sec. Tarature per Salami VDP-08 12Vdc.
- Can Bus:** TPDO1 prelevato a valle. TPDO3 non attivo. Mappatura standard bit1-32. Terminazione non attiva. Error frame disabilitato. CAN filter attivo. Slave.

SW CU: FS50867P
 FW: UC 4.21, PCU 1.21 o superiori

FABERCOM		CODE:	PR6MU018SSY4		
DESC: Scanreco Maxi PCU configuration and function description.					
FILE: ...\\Salhydro\\Radio\\G2B\\3010 ter maxi 8L\\PR6MU018SSY4-0.cdr					
DATE:	11/03/16	REV:	0	SHEET	2 OF 3

Conn. K4	Cable	Description
K4.1	-	Out1 - Aux 1
K4.2	-	Out2 - Aux 2
K4.3	-	Out3 - Aux 3
K4.4	-	Out4 - Aux 4
K4.5	-	Out5 - Aux 5
K4.6	-	Out6 - Aux 6
K4.7	-	GND
K4.8	-	Din1 - not used
K4.9	-	Din2 - not used
K4.10	-	Din3 - not used
K4.11	-	Positive in Remote

Conn. K6	Cable	Description
K6.1	-	Out7 - Aux 7
K6.2	-	Out8 - Emergency stop
K6.3	-	Out9 - Aux 8
K6.4	-	Out10 - Aux 9
K6.5	-	GND
K6.6	-	Out11 - Aux 10
K6.7	-	Out12 - Aux 11
K6.8	-	Out13/Din4 - Aux 12
K6.9	-	Out14/Serial - Aux 13
K6.10	-	GND



Conn. K7	Cable	Description
K7.1	-	Power Supply 12Vdc
K7.2	-	GND
K7.3	-	+ Dump valve
K7.4	-	GND

Conn. K8	Cable	Description
K8.1	-	CAN-H - not used
K8.2	-	CAN-L - not used
K8.3	-	CAN-GND - not used
K8.4	-	CAN-H - not used
K8.5	-	CAN-L - not used

	Conn. K1	Cable	Description
Function no.1	K1.1	-	PWM 1a
	K1.2	-	GND
	K1.3	-	PWM 1b
	K1.4	-	GND
Function no.2	K1.5	-	PWM 2a
	K1.6	-	GND
	K1.7	-	PWM 2b
	K1.8	-	GND
Function no.3	K1.9	-	PWM 3a
	K1.10	-	GND
	K1.11	-	PWM 3b
	K1.12	-	GND
Function no.4	K1.13	-	PWM 4a
	K1.14	-	GND
	K1.15	-	PWM 4b
	K1.16	-	GND

	Conn. K3	Cable	Description
Function no.5	K3.1	-	PWM 5a
	K3.2	-	GND
	K3.3	-	PWM 5b
	K3.4	-	GND
Function no.6	K3.5	-	PWM 6a
	K3.6	-	GND
	K3.7	-	PWM 6b
	K3.8	-	GND
Function no.7	K3.9	-	PWM 7a
	K3.10	-	GND
	K3.11	-	PWM 7b
	K3.12	-	GND
Function no.8	K3.13	-	PWM 8a
	K3.14	-	GND
	K3.15	-	PWM 8b
	K3.16	-	GND

IMPORTANT NOTICES:

Scanreco strongly recommends that the GND connections of the PWM coils must be connected to the dedicated pin in to the receiver socket Board. Different connections may produce some disturbance on the radio signal and consequently malfunctions of the radio itself.

If the above connection is not possible, you should connect the PWM negatives directly to the negative terminal of the battery or to the GND point connected directly to it.

Scanreco also recommends to connect the main negative of the radio directly to the negative terminal of the battery or to the GND point connected directly to it.

FABERCOM		CODE:	PR6MUO18SSY4		
DESC: Connections for PWM A+B central unit without wirings.					
FILE: ...\\Salhydro\\Radio\\G2B\\3010 ter maxi 8L\\PR6MUO18SSY4-0.cdr					
DATE:	11/03/16	REV:	0	SHEET:	3 OF 3