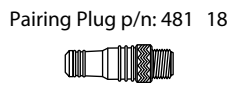
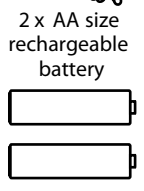
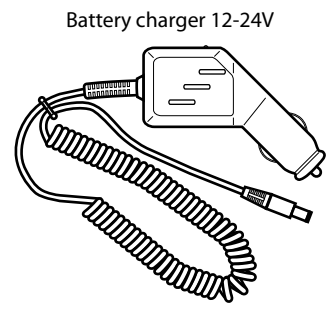
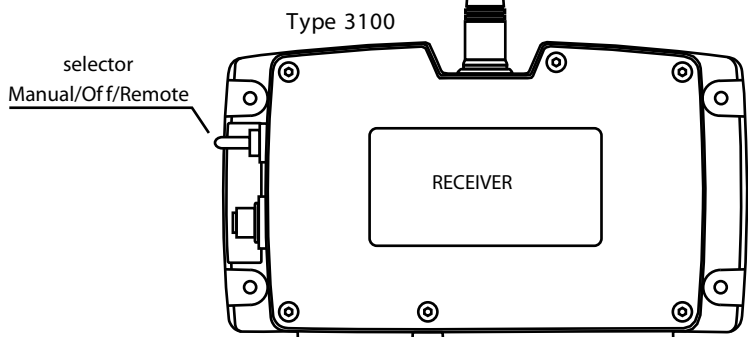
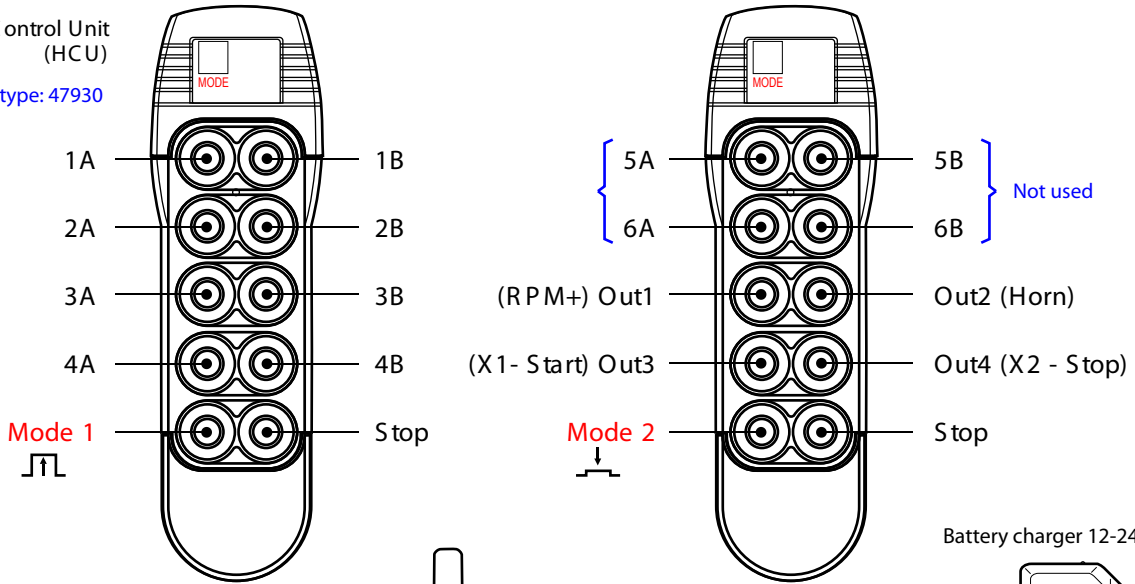
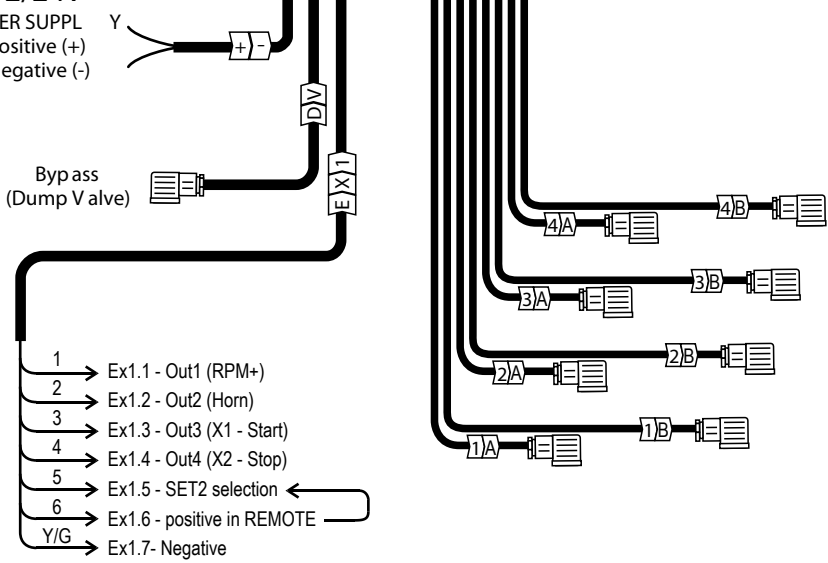


Handy Control Unit (HCU)

type: 47930



12/24V
POWER SUPPL
1 = Positive (+)
2 = Negative (-)



- 1 → Ex1.1 - Out1 (RPM+)
- 2 → Ex1.2 - Out2 (Horn)
- 3 → Ex1.3 - Out3 (X1 - Start)
- 4 → Ex1.4 - Out4 (X2 - Stop)
- 5 → Ex1.5 - SET2 selection ←
- 6 → Ex1.6 - positive in REMOTE
- Y/G → Ex1.7 - Negative

When the SET2 (reduced speed) is not used keep connected the wire Ex1.5 to positive (Ex1.6).