



SHURFLO®

Pumps, Mini-Bulk Transfer Systems, Accessories and Spares





SHURflo pumps are ideal for small sprayers, mini bulk transfer and fluid circulation applications.

They use a flexible diaphragm to capture and discharge a fixed fluid volume on each stroke for smooth and consistent flow.

Standard features include heavy duty 12/24v or mains electrical motors that are suitable for continuous, as well as intermittent operation.

SHURflo pumps are self-priming so can be easily located on the sprayer. They can cope effectively with a range of demand situations and offer an optional internal by-pass.

Valves and diaphragms can be specified of different material depending on the planned chemical exposure.

# Contents

---

5059 Series Diaphragm Pump ..... 2

8000 Series Diaphragm Pump ..... 3-5

8007 Series Diaphragm Pump ..... 6

2087 Series Diaphragm Pump ..... 7

2088 Series Diaphragm Pump ..... 7-8

166 Series Diaphragm Pumps ..... 9

Power Twin Pump..... 9

9300 Series Submersible Pump ..... 10

3000 Series Flexible Impeller Pumps ..... 10

SLV Series Pump ..... 11

SHURflo Pump Accessories ..... 12

Fittings ..... 13

AG Runner™ ..... 14

Mini-Bulk Chemical Transfer System ..... 14

Mini-Bulk Pumps ..... 15

Mini-Bulk Flow Meters ..... 15

Mini-Bulk Kits, Parts, & Accessories ..... 16

SHURflo® Pump Dimensions ..... 17-19

SHURflo® Pump Parts Kit List ..... 20-24

# SHURflo® 5000 Series Diaphragm Pump

## 5 GPM Bypass and Automatic-Demand Pumps 12 VDC



The field-proven SHURflo 5.3 gpm [20.1 L/min] pump delivers 3.8 gpm at 40 psi [14.4 L/min at 2.75 bar] with current draw of 14 amps. This pump is designed with a Santoprene® diaphragm for chemical resistance and maximum life, as well as Viton® valves for maximum chemical resistance. Also included is a built-in pressure switch, set at 60 PSI [4.14 bar], which protects the pump in the event of dead-heading. The pump is available in the same footprint as other SHURflo pumps, allowing users to upgrade to a higher performance on existing installations.

- Field-proven pump head design
- Driven by a 12-volt, sealed motor
- Self-priming up to 8 feet [2.4 m]
- Santoprene® diaphragm for chemical resistance and maximum life
- Viton® valves provide maximum chemical resistance
- Automatic demand versions with built-in pressure switch, set at 60 psi [4.14 bar], protects the pump in the event of dead-heading
- Bypass versions set at 90 psi [5.86 bar], protects the pump in the event of dead heading
- Available in the same footprint as other SHURflo pumps, allowing users to upgrade to a higher performance on existing installations

### Order Information -Demand 12VDC

Part Number	Max GPM	Max LPM	Max PSI	Max BAR	Port Size	Max Draw
5059-1311-D011	5.3	20.1	60	3.4	1/2" npsm*	17.0
5059-1310-D011	5.3	20.1	60	3.4	1/2" NPTF	17.0

### Order Information -Bypass 12VDC

Part Number	Max GPM	Max LPM	Max PSI	Max BAR	Port Size	Max Draw
5059-3611-D011	5.3	20.1	90	6.2	1/2" npsm*	20.9
5059-3610-D011	5.3	20.1	90	6.2	1/2" NPTF	20.9

Model	PSI	GPM	BAR	L/min	Amps
5059-1311-D011 5059-1310-D011	0	5.3	0	20.1	6.5
	10	4.7	.69	17.8	9.0
	20	4.3	1.38	16.3	11.8
	30	4.1	2.07	15.5	12.4
	40	3.8	2.75	14.4	14.0
	50	3.6	3.45	13.6	15.4
5059-3611-D011 5059-3610-D011	60	3.4	4.14	12.9	17.0
	0	5.3	0	20.1	6.5
	10	4.7	.7	17.8	9.0
	20	4.3	1.4	16.3	10.2
	30	4.1	2.1	15.5	12.0
	40	3.4	2.8	12.9	13.5
5059-3610-D011	50	2.6	3.4	9.8	15.2
	60	1.8	4.1	6.8	16.9

\* 1/2" -14 American National Standard Straight Pipe Thread

\*\* For retail box: change "-D011" to "-D012"

# SHURflo® 8000 Series Diaphragm Pump

## Automatic-Demand Pumps 12 VDC



The 8000 Series diaphragm pump is SHURflo's most widely used agriculture pump. Viton® valve material assures maximum chemical resistance. The unique conical valve design delivers high flow rates at maximum discharge pressures, making the 8000 Series the pump of choice for sprayers used on the farm or around the yard. These 12 VDC pumps deliver up to 1.8 GPM [6.8 L/min] providing maximum performance in a wide range of applications.

- Self-priming up to 8 vertical feet [2.4m]
- Chemical-resistant materials
- Designed for heavy-duty spraying and fluid transfer applications
- Can run dry without damage
- Built-in check valve

### Order Information

Part Number	Max GPM	Max LPM	Max PSI	Max BAR	Port Size	Max Draw	Description
8000-343-236	1.2	4.5	60	4.1	3/8" NPT-Female	5.8	All Viton® Pump: Viton® valves, Viton® diaphragm, 60 PSI (4.1 bar) demand switch
8000-541-236*	1.0	3.8	60	4.1	3/8" NPT-Female	3.8	Lawn and Garden Pump: Viton® valves, Santoprene® diaphragm, 60 PSI (4.1 bar) demand switch
8000-542-136	1.2	4.5	60	4.1	1/2" MSPT-Male	6.0	Low Flow Standard Pump: Viton® valves, Santoprene® diaphragm, 60 PSI (4.1 bar) demand switch
8000-543-136	1.8	6.8	60	4.1	1/2" MSPT-Male	7.3	Standard Pump: Viton® valves, Santoprene® diaphragm, 60 PSI (4.1 bar) demand switch
8000-543-236*	1.8	6.8	50	3.4	3/8" NPT-Female	6.4	Standard Pump: Viton® valves, Santoprene® diaphragm, 60 PSI (4.1 bar) demand switch
8000-543-238	1.8	6.8	100	6.9	3/8" NPT-Female	8.7	High Pressure Pump: Viton® valves, Santoprene® diaphragm, 100 PSI (6.9 bar) demand switch
8000-543-138	1.8	6.8	100	6.9	1/2" MSPT-Male	8.7	High Pressure Pump: Viton® valves, Santoprene® diaphragm, 100 PSI (6.9 bar) demand switch
8000-543-936*	1.8	6.8	50	3.4	3/8" NPT-Female	6.4	Standard Pump w/Wire Harness: Viton® valves, Santoprene® diaphragm, prewired with two wire molded connectors, 60 PSI (4.1 bar) demand switch
8000-643-236	1.8	6.8	60	4.1	3/8" NPT-Female	6.8	Transfer Pump: Buna valves, Geolast® diaphragm, 60 PSI (4.1 bar) demand switch
8030-813-239	1.6	6.1	150	9.5	3/8" NPT-Female	12.0	High Pressure Pump: Viton® valves, Santoprene® diaphragm, 150 PSI (10.3 bar) demand switch

Model	PSI	BAR	GPM	L/min	Amps
8000-343-236	20	1.4	0.93	3.5	3.9
	40	2.8	0.84	3.2	4.9
	50	3.4	0.80	3.0	5.3
	60	4.1	0.76	2.9	5.8
8000-541-236	20	1.4	0.79	3.0	2.3
	30	2.1	0.75	2.8	2.8
	40	2.8	0.70	2.6	3.2
	60	4.1	0.62	2.3	3.8
8000-542-136	20	1.4	1.11	4.2	4.1
	40	2.8	0.98	3.7	5.1
	50	3.4	0.93	3.5	5.6
	60	4.1	0.90	3.4	6.0
8000-543-136	20	1.4	1.26	4.7	5.0
	40	2.8	1.14	4.3	6.2
	50	3.4	1.08	4.1	6.8
	60	4.1	1.02	3.9	7.3
8000-543-236	30	1.4	1.47	5.5	5.7
	40	2.8	1.41	5.3	5.8
	50	3.4	1.36	5.1	6.4
8000-543-238	20	1.4	1.45	5.5	4.2
	40	2.8	1.31	5.0	5.5
	60	4.1	1.22	4.6	6.5
	100	6.9	0.96	3.6	8.7
8000-543-138	20	1.4	1.45	5.5	4.2
	40	2.8	1.31	5.0	5.5
	60	4.1	1.22	4.6	6.5
	100	6.9	0.96	3.6	8.7
8000-543-936	30	1.4	1.47	5.5	5.7
	40	2.8	1.41	5.3	5.8
	50	3.4	1.36	5.1	6.4
8000-643-236	20	1.4	1.44	5.4	4.1
	40	2.8	1.33	5.0	5.4
	50	3.4	1.27	4.8	6.1
	60	4.1	1.22	4.6	6.8
8030-813-239	20	1.4	1.55	5.9	5.5
	30	2.1	1.49	5.6	6.2
	40	2.8	1.43	5.4	6.8
	80	5.4	1.20	4.5	9.1
	100	6.9	1.10	4.2	10.1
150	9.5	0.83	3.1	12.0	

\* Packaged in quantities of 6. For single packs, replace "8000-" with "8009."

# SHURflo® 8000 Series Diaphragm Pumps

## Bypass Pumps 12 VDC



8000-543-250

8000 Series internal bypass pumps are ideal for applications where an automatic demand switch is not desired. Pumps with bypass will continue to run without damage once the bypass pressure is reached. They incorporate a triple chamber design with Viton® elastomers to withstand the toughest applications. Perfect for spot sprayers, foam markers and transfer applications where smooth, consistent flow is needed.

- Self-priming up to 8 vertical feet [2.4m]
- Chemical-resistant materials
- Internal bypass
- Can run dry without damage

### Order Information

Part Number	Max GPM	Max LPM	Max PSI	Max BAR	Port Size	Max Draw	Description
8000-543-250*	1.8	6.8	50	3.4	3/8" NPT-Female	5.5	Standard Bypass Pump: Viton® valves, Santoprene® diaphragm, 45 PSI (3.1 BAR) internal bypass
8000-543-210	1.3	4.9	40	2.8	3/8" NPT-Female	5.5	Standard Bypass Pump: Viton® valves, Santoprene® diaphragm, 35 PSI (2.4 BAR) internal bypass
8000-543-220	1.5	5.7	60	4.1	3/8" NPT-Female	7.1	Standard Bypass Pump: Viton® valves, Santoprene® diaphragm, 60 PSI (4.1 BAR) internal bypass
8006-543-250	1.4	5.3	50	3.4	3/8" NPT-Female	5.5	Bypass Pump with Reversed Pumphead: Viton® valves, Santoprene® diaphragm, 45 PSI (3.1 BAR) internal bypass

\* Packaged in quantities of 6. For single packs, replace "8000-" with "8009-."

Model	PSI	BAR	GPM	L/min	Amps
8000-543-250	20	1.4	1.30	4.9	4.0
	30	2.1	1.11	4.2	4.7
	40	2.8	0.69	2.6	5.2
	50	4.1	0.18	0.7	5.5
8000-543-210	10	0.7	1.28	4.8	3.8
	20	1.4	1.19	4.5	4.4
	30	2.1	1.07	4.0	5.0
	40	2.8	0.05	0.19	5.5
8000-543-220	10	0.7	1.52	5.7	3.8
	20	1.4	1.45	5.5	4.5
	30	2.1	1.39	5.3	5.2
	60	4.1	1.12	4.2	7.1
8006-543-250	10	0.7	1.40	5.3	3.4
	20	1.4	1.30	4.9	4.0
	40	2.8	0.69	2.6	5.2
	50	4.1	0.18	0.7	5.5

# SHURflo 8000 Series Diaphragm Pumps

## Bypass Pumps 12 VDC



8000-543-290

Designed to accommodate applications that have external pressure valves plumbed into the system.

- Self-priming up to 8 vertical feet [2.4m]
- Chemical-resistant materials
- 1/4" adapter for external bypass hook-up
- Can run dry without damage

### Order Information

Part Number	Max GPM	Max LPM	Max PSI	Max BAR	Port Size	Max Draw	Description
8000-543-290	1.8	6.8	100	6.9	3/8" NPT-Female	8.8	Front Adapter Pump: Viton® valves, Santoprene® diaphragm, 1/4" FNPT adapter mounted on switch ports

Model	PSI	BAR	GPM	L/min	Amps
8000-543-290	20	1.4	1.26	4.7	5.0
	40	2.8	1.14	4.3	6.2
	60	4.1	1.02	3.9	7.3
	80	5.5	0.93	3.5	8.0
	100	6.9	0.84	3.2	8.8

# SHURflo® 8090 Series Diaphragm Pumps

## Bypass and Automatic-Demand Pumps 230 VAC



8090-802-289

These SHURflo range of 8090 Series bypass and demand pump types provide the same reliability as the 12 VDC version, except that they offer 230 VAC capacity. They are ideal in agricultural applications that require high pressure with flow rates up to 1.5 GPM [5.7 L/min] and low amp draw. They can be mounted in any position, are compact, and are designed for easy maintenance.

- Self-priming up to 8 vertical feet [2.4m]
- Built-in check valve
- Chemical-resistant materials
- Corded pump optional
- Can run dry without damage

### Order Information - Bypass 230 VAC

Part Numbers	Max GPM	Max LPM	Max PSI	Max Bar	Port Size	Max Draw	Description
8090-802-289	1.2	4.5	80	5.5	3/8" NPT Female	0.56	Bypass Pump: Viton® valves, Santoprene® diaphragm, 80 PSI (5.5 bar) Internal Bypass
8095-902-260	1.5	5.7	100	6.9	3/8" NPT Female	0.56	Bypass Pump: EPDM valves, Santoprene® diaphragm, 100 PSI (6.9 bar) Internal Bypass

### Order Information - Demand & Demand/Bypass 230 VAC

Part Numbers	Max GPM	Max LPM	Max PSI	Max BAR	Port Size	Max Draw	Description
8090-212-246	1.2	4.5	60	4.1	3/8" NPT Female	0.34	Standard Demand Pump: EPDM valves, Santoprene® diaphragm, 60 PSI (4.1 bar) demand switch
8090-801-278	1.3	4.9	100	6.9	3/8" NPT Female	0.56	Demand/Bypass Pump: Viton® valves, Santoprene® diaphragm, 80 PSI (5.5 bar) Internal Bypass, 100 PSI (6.9 bar) demand switch
8090-902-278	1.4	5.3	100	5.5	3/8" NPT Female	0.56	Demand/Bypass Pump: EPDM valves, Santoprene® diaphragm, 80 PSI (5.5 bar) Internal Bypass, 100 PSI (6.9 bar) demand switch

# SHURflo® 8007 Series Diaphragm Pumps

## Bypass and Automatic-Demand 12 VDC with Electrical Package



8007-543-850  
(Front and Back Shown)

These models include an aesthetically-pleasing molded assembly, housing a rocker-type manual switch with international on/off switch symbols. Wiring is neatly routed into the molded assembly through form fitting entries and strain relieved inside the housing. Fused versions come with an automotive-type fuse housed under a snug fitting cap marked "fuse." Non-fused versions have a raised section.

- Self-priming up to 8 vertical feet [2.4m]
- Chemical-resistant materials
- Internal bypass option
- Can run dry without damage
- Built-in on/off switch included
- 2 pin connector on power leads
- Available with or without integral fuse
- Rocker switch protected from the elements by a clear boot

### Order Information -Bypass 12VDC

Part Number	Max GPM	Max LPM	Max PSI	Max BAR	Port Size	Max Draw	Description
8007-543-850	1.8	6.8	50	3.4	3/8" NPT-Female	5.5	Bypass Pump w/Electrical Package: Viton® valves, Santoprene® diaphragm, 45 PSI (3.1 bar) bypass, Manual on/off switch 2 pin connector and fuse
8007-593-850	1.8	6.8	50	3.4	3/8" NPT-Female	5.5	Bypass Pump w/Electrical Package: Viton® valves, Santoprene® diaphragm, 45 PSI (3.1 bar) bypass, Manual on/off switch 2 pin connector

### Bypass 12VDC

Model	PSI	BAR	GPM	L/min	Amps
8007-543-850	10	0.7	1.40	5.3	3.4
	20	1.4	1.30	4.9	4.0
	30	2.1	1.11	4.2	4.7
	40	2.8	0.69	2.6	5.2
8007-593-850	50	3.4	0.18	0.7	5.5
	10	0.7	1.40	5.3	3.4
	20	1.4	1.30	4.9	4.0
	30	2.1	1.11	4.2	4.7
40	2.8	0.69	2.6	5.2	
	50	3.4	0.18	0.7	5.5

### Order Information -Demand 12VDC

Part Number	Max GPM	Max LPM	Max PSI	Max BAR	Port Size	Max Draw	Description
8007-591-236	1.0	3.8	50	3.4	3/8" NPT-Female	3.7	Demand Pump w/Electrical Package: Viton® valves, Santoprene® diaphragm, 60 PSI (4.1 bar) Demand Switch Manual on/off switch 2 pin connector (8007-543-836 includes fuse)
8007-593-836	1.8	6.8	50	3.4	3/8" NPT-Female	6.4	
8007-543-836	1.8	6.8	50	3.4	3/8" NPT-Female	6.4	

### Demand 12VDC

Model	PSI	BAR	GPM	L/min	Amps
8007-591-236	30	2.1	0.74	2.8	2.9
	40	2.8	0.69	2.6	3.2
	50	3.4	0.65	2.5	3.7
8007-593-836	30	2.1	1.47	5.5	5.3
	40	2.8	1.41	5.3	5.8
	50	3.4	1.36	5.1	6.4
8007-543-836	30	2.1	1.47	5.5	5.3
	40	2.8	1.41	5.3	5.8
	50	3.4	1.36	5.1	6.4



# SHURflo® 2087 Series Diaphragm Pumps

## Automatic-Demand Pump 12 VDC with Electrical Package



2087-593-135  
(Front and Back Shown)

These models include an aesthetically-pleasing molded assembly, housing a rocker-type manual switch with international on/off switch symbols. Wiring is neatly routed into the molded assembly through form fitted entries and strain relieved inside the housing.

- Self-priming up to 12 vertical feet [3.7m]
- Chemical-resistant materials
- Can run dry without damage
- Rocker switch protected from the elements by a clear boot
- Built-in on/off switch included
- 2 pin connector on power lead

### Order Information

Part Number	Max GPM	Max LPM	Max PSI	Max BAR	Port Size	Max Draw	Description
2087-593-135 †	3	11.4	50	3.4	1/2" MSPT* Male	8	Standard Demand Pump; Viton® valves, Santoprene® diaphragm, 45 PSI (3.1 bar) demand switch

Model	PSI	BAR	GPM	L/min	Amps
2087-593-135	10	0.7	2.80	10.6	5.3
	20	1.4	2.69	10.2	5.5
	30	2.1	2.36	8.9	6.7
	40	2.8	2.05	7.8	7.7
	50	3.4	1.42	5.4	8.0

\* 1/2" - 14 National American Straight Pipe Thread

† Packaged in quantities of 6. For single pack, replace "135" with "435."

# SHURflo 2088 Series Diaphragm Pumps

## Automatic-Demand Pump 12 VDC



2088-343-135

SHURflo 2088 Series diaphragm pumps deliver reliable performance in high flow, moderate pressure applications. They are used in a variety of spot spraying, multi-tip spraying and fertilizer drip applications that require flows of up to 3.6 GPM [13.6 L/min]. They are available in a variety of chemical-resistant materials.

- Self-priming up to 12 vertical feet [3.7m]
- Chemical-resistant materials
- Can run dry without damage
- Automatic demand
- Built-in check valve (varies by model) prevents back flow of fluid into the solution tank
- Continuous duty motor on fin-cooled version

### Order Information

Part Number	Max GPM	Max LPM	Max PSI	Max BAR	Port Size	Max Draw	Description
2088-313-145	3.6	13.6	40	2.8	1/2" MSPT* Male	9.5	Standard Pump; with fin cooled motor Viton® valves, Santoprene® diaphragm, 45 PSI (3.1 bar) demand switch
2088-443-144	3.5	13.2	45	3.1	1/2" MSPT* Male	9.1	Standard Pump; Santoprene® valves, Santoprene® diaphragm, 45 PSI (3.1 bar) demand switch
2088-343-135†	3	11.4	40	2.8	1/2" MSPT* Male	7.7	Standard Pump; Viton® valves, Santoprene® diaphragm, 45 PSI (3.1 bar) demand switch

Model	PSI	BAR	GPM	L/min	Amps
2088-313-145	10	0.7	3.09	11.7	6.4
	20	1.4	2.82	10.7	7.6
	30	2.1	2.49	9.4	8.7
	40	2.8	2.15	8.1	9.5
2088-443-144	10	0.7	2.83	10.7	5.8
	20	1.4	2.56	9.7	7.0
	30	2.1	2.31	8.7	8.0
	40	2.8	2.02	7.6	9.1
2088-343-135	10	0.7	2.80	10.6	5.3
	20	1.4	2.69	10.2	5.5
	30	2.1	2.36	8.9	6.7
	40	2.8	2.05	7.8	7.7

\* 1/2" - 14 National American Straight Pipe Thread

† Packaged in quantities of 6. For single pack, replace "135" with "435."

# SHURflo® 2088 Series Diaphragm Pumps

## No Control Pumps 12 VDC



2088-343-500

SHURflo 2088 Series diaphragm pumps deliver reliable performance in high flow, moderate pressure applications. They are used in a variety of spraying and transferring applications that require flows of up to 3.3 GPM [12.5 L/min]. They are available in a variety of chemical-resistant materials. They can be mounted in any position and are designed for easy maintenance.

- Self-priming up to 12 vertical feet [3.7m]
- Chemical-resistant materials
- Can run dry without damage
- Built-in check valve (may vary by models) prevents back flow of fluid through the pump

### Order Information

Part Number	Max GPM	Max LPM	Max PSI	Max BAR	Port Size	Max Draw	Description
2088-343-170	3.3	12.5	50	3.4	1/2" MSPT* Male	9.1	Front Adapter Pump with Electrical Package: Viton® valves, Santoprene® diaphragm, 1/4" FPT adapter mounted on switch port, built-in on/off power switch, fuse holder pre-wired w/2-wire molded connector, no demand switch
2088-343-500	3.3	12.5	50	3.4	1/2" MSPT* Male	10.1	Front Adapter Pump: Viton® valves, Santoprene® diaphragm, 1/4" FPT adapter mounted on switch port, no demand switch

Model	PSI	BAR	GPM	L/min	Amps
2088-343-170	10	0.7	3.00	11.3	5.0
	30	2.1	2.38	9.0	7.5
	40	2.8	2.14	8.1	8.3
	50	3.4	1.86	7.0	9.1
2088-343-500	10	0.7	2.79	10.6	5.8
	30	2.1	2.26	8.6	8.3
	40	2.8	1.99	7.5	9.3
	50	3.4	1.69	6.4	10.1

\* 1/2" - 14 National American Straight Pipe Thread

# SHURflo 2088 Series Diaphragm Pumps

## Automatic-Demand Pumps 230 VAC



2088-562-144

These SHURflo 2088 Series pumps offer the same reliability as the 12 VDC version except in 230 VAC capacity. They are used in a variety of spot spraying, mini-bulk transfer and fertilizer applications that require flows of up to 3 GPM [11.4 L/min]. They are available in a variety of chemical-resistant materials.

- Self-priming up to 12 vertical feet [3.7m]
- Chemical-resistant materials
- Can run dry without damage
- Automatic demand
- Built-in check valve (may vary by model) prevents back flow of fluid into the solution tank

### Order Information

Part Number	Max GPM	Max LPM	Max PSI	Max BAR	Port Size	Max Draw	Description
2088-562-144	2.5	9.5	40	2.8	1/2" MSPT* Male	0.34	Standard Pump with 6' power cord: Viton® valves, Santoprene® diaphragm, 45 PSI [3.1 bar] demand switch
2088-564-144	3	11.4	50	3.4	1/2" MSPT* Male	0.56	Standard Pump: Viton® valves, Santoprene® diaphragm, 45 PSI [3.1 bar] demand switch

\* 1/2" - 14 National American Straight Pipe Thread

# SHURflo® 166 Series Diaphragm Pumps

## Air-Driven Pumps



166-200-36

The SHURflo 166 air-operated demand pumps employ a dual diaphragm design, with a patented fast action switching mechanism allowing for consistent flow and pressure. They are built for the toughest pumping applications and are available in a variety of elastomers that allow them to be compatible with most caustic or acidic fluids. Ideal for chemical transfer, liquid fertilizer injection and agricultural spraying. 2 chamber dual diaphragm

- Positive displacement
- On-demand operation
- Chemical-resistant polypropylene body
- 30 to 60 PSI [2.1-4.1 bar]

### Order Information

Part Number	Max GPM	Max LPM	Max PSI	Max BAR	Description
166-200-36	0.6	2.3	30-60	2.1-4.1	Viton® valves and diaphragm
166-200-46	0.6	2.3	30-60	2.1-4.1	Buna valves and diaphragm
166-200-56	0.6	2.3	30-60	2.1-4.1	EPDM valves and diaphragm
166-200-57	0.6	2.3	30-60	2.1-4.1	Santoprene® valves and diaphragm

# SHURflo Power Twin Pump

## Demand Pumps 12VDC



4211-035

Take all the performance and features of the time-tested 2088 series, double it, and the result is the high-flow Power Twin. Delivers an open flow of 6.25 GPM [23.7 L/min] at a mere 8.7 amps. At 40 PSI [2.8 bar], it delivers 3.5 GPM [13.2 L/min] and draws only 17.2 amps. One of the most efficient high-flow self-priming pumps available today, the Power Twin is excellent for transferring, light-duty spraying, and use as a 1:1 proportioning pump.

- Up to 6.25 GPM [23.7 L/min]
- Thermally-protected motor with heat sink
- Self-priming up to 7 vertical feet [2.13 m]
- Quiet, balanced operation
- Long-life pressure switch
- Intake/Discharge manifold optional

### Order Information

Part Number	Max GPM	Max LPM	Max PSI	Max BAR	Port Size	Max Draw	Description
4111-035	6.25	23.7	40	2.8	1/2" MPT	17.2	Viton® valves, Santoprene® diaphragm, 45 PSI (3.1 bar) demand switch, manifold with 5/8" barb ports
4211-035	6.25	23.7	40	2.8	1/2" MPT	17.2	Viton® valves, Santoprene® diaphragm, 45 PSI (3.1 bar) demand switch
94-389-00	Manifold Kit 5/8" barb (2) per pump						
94-389-01	Manifold Kit 3/4" barb (2) per pump						

Model	PSI	BAR	GPM	L/min	Amps
4111-035	0	0	6.25	23.5	8.7
	10	0.7	5.7	21.6	12.2
	20	1.4	5.0	19.0	14.5
	30	2.1	4.3	16.2	16.1
4211-035	40	2.8	3.5	13.2	17.2
	0	0	6.25	23.5	8.7
	10	0.7	5.7	21.6	12.2
	20	1.4	5.0	19.0	14.5
4211-035	30	2.1	4.3	16.2	16.1
	40	2.8	3.5	13.2	17.2

# SHURflo® 9300 Series Submersible Pumps

24 VDC



## 902-100 Controller Features:

Boost your DC solar pump's performance by up to 30%. Controller optimizes your solar water pumping system by translating the current and voltage available from your photovoltaic panels, into a combination that is better matched to that needed by the pump. With the optional float switch installed, the controller will automatically stop pumping when the reservoir is full.

- \* Operates on 24 VDC
- \* Increases daily water output up to 30%
- \* System starts pumping earlier in the morning
- \* System stops pumping later in the evening
- \* Protects pump from low or high volume conditions
- \* Terminals for float switch

The SHURflo 9300 series pump offers a solution to your remote water pumping needs. It's rugged, durable and built to last. This pump delivers a steady 1.0 GPM [3.8 L/min] operating at 100 PSI [6.9 bar] maximum at 230 feet [70.1m]. It incorporates a unique, waterblocked cable connector that is impervious to water leakage and condensation problems preventing waterwicking. Great for applications in livestock watering, irrigation, ponds, islands, remote homes and cabins

- Fits wells 4 inches [10.2 cm] in diameter and larger
- Accepts a variety of jacketed cables from your power source
- Runs dry without damage
- Corrosion-proof housing with stainless steel fasteners
- Long-life, 24 VDC operation
- Quick disconnect for easy installation and service

## 902-200 Controller Features:

Includes all 902-100 features plus:

- \* Switch selectable for 12 VDC or 24 VDC operation
- \* Manual Pump On / Off switch for easy pump maintenance
- \* Watertight enclosure and cable inlets
- \* Includes high/low water level monitor mode with probes and cable so the pump will not run when the well water is too low

## Order Information

Part Number	Max GPM	Max LPM	Max Draw	Description
9325-043-101	1.8	6.8	4.1	EPDM valves, Santoprene® diaphragm

Model	Description	Max. Array Input Voltage		Min. Startup Voltage		Shutdown Voltage	Max. Output Current
		12V	24V	12V	24V		
902-100 (LCB-GO)	9300 DC Pump Controller	45 V	N/A	25 V	N/A	28 V	5 Amps
902-200 (LCB-G)	9300 DC Pump Controller	45 V	N/A	25 V	12.5 V	28 V	7 Amps

Model	Vertical Lift				Solar Array Watts	Current Amps
	Feet	Meters	GPH	LPH		
9325-043-101	20	6.1	117	443	58	1.5
	60	18.3	109	413	78	2.1
	100	30.5	103	390	99	2.6
	140	42.7	99	375	115	3.1
	180	54.9	93	352	135	3.6
	230	70.1	82	310	155	4.1

# SHURflo 3000 Series Submersible Pumps

12 VDC



## Order Information

Part Number	Max GPM	Max LPM	Max PSI	Max BAR	Max Draw
3000-350	2.5	9.5	10	0.7	7.4

Model	PSI	BAR	Dischg. Ft of Head	GPM	L/min	Amps
3000-350	0	0.0	0.0	3.8	14.4	6.5
	5	0.3	11.5	3.4	12.9	7.1
	10	0.7	23.0	2.5	9.5	7.4

The 3000 Series is suitable for a variety of uses from pumping water to changing oil in cars, trucks and farm equipment. Pumps incorporate thermal overload protection.

Not intended for use with flammable liquids or in flammable environments.

- Self-priming to 7.5 feet [2.3m] vertical
- Maximum head of 28 feet [8.5m] [12 PSI [.83 bar]]
- Liquid temps from 40° F to 185° F [4.4°C to 85°C]
- Thermal overload protection
- Stainless steel shaft
- BUNA-N impeller and lip seal
- Built-in reverse switch and 8 foot [2.4m] cable with battery clips

# SHURflo® SLV Series Diaphragm Pumps

## 12 and 24 VDC Demand Pumps



SLV10-AA48  
(Front and Back Shown)

The SHURflo SLV is ideal for low volume, intermittent-duty applications requiring a compact pump with low power consumption. Unique design has no metals in the fluid path for maximum chemical resistance. Pump features include automatic demand operation and elastomers that handle a wide variety of chemicals. Perfect for low volume spraying and transfer. Cost effective yet with high performance and reliability; the SLV offers tremendous value.

- Automatic demand; 25 PSI [1.72 bar] on/40 PSI [2.8 bar]
- Self-priming up to 2.5 vertical feet [.76 m]
- Long-life pressure switch
- Thermally-protected ball bearing motor with splash-proof housing
- Internal fan radiates heat; external heat sink not required
- Integral on/off switch optional

### Order Information - Automatic Demand Pumps 12 VDC

Part Number	Max GPM	Max LPM	Max PSI	Max BAR	Port Size	Max Draw	Description
SLV10-AA40	1	3.8	30	2.1	3/8" Barb	2.5	Viton® valves, Santoprene® diaphragm, 40 PSI [2.8 bar] demand switch, Integral on/off switch included
SLV10-AA41	1	3.8	30	2.1	3/8" Barb	2.5	Viton® valves, Santoprene® diaphragm, 40 PSI [2.8 bar] demand switch
SLV10-AA48*	1	3.8	30	2.1	3/8" Barb	2.5	Viton® valves, Santoprene® diaphragm, 40 PSI [2.8 bar] demand switch, Manual switch and 2 pin connector 12VDC

\* Packaged in quantities of 6, for single pack, add suffix "AB" (i.e.: SLV10-AA48-AB).

### Automatic Demand Pumps 12 VDC

Model	PSI	BAR	GPM	L/min	Amps
SLV10-AA40	3	0.2	0.90	3.4	1.8
	10	0.7	0.73	2.8	2.1
	20	1.4	0.62	2.3	2.3
SLV10-AA41	30	2.1	0.49	1.9	2.5
	3	0.2	0.90	3.4	1.8
	10	0.7	0.73	2.8	2.1
SLV10-AA48	20	1.4	0.62	2.3	2.3
	30	2.1	0.49	1.9	2.5
	3	0.2	0.90	3.4	1.8

### Order Information - Automatic Demand Pump 24 VDC

Part Number	Max GPM	Max LPM	Max PSI	Max BAR	Port Size	Max Draw	Description
SLV10-AB41	1	3.8	30	2.1	3/8" Barb	1.23	Viton® valves, Santoprene® diaphragm, 40 PSI [2.8 bar] demand switch

### Automatic Demand Pump 24 VDC

Model	PSI	BAR	GPM	L/min	Amps
SLV10-AB41	3	0.2	0.90	3.4	0.89
	10	0.7	0.73	2.8	1.00
	20	1.4	0.62	2.3	1.15
	30	2.1	0.49	1.9	1.23

### Order Information - No Control Transfer Pump 12 VDC

Part #	Max GPM	Max LPM	Max PSI	Max BAR	Port Size	Max Draw	Description
SLV10-HA01	1	3.8	30	2.1	3/8" Barb	2.5	Viton® valves, Geolast® diaphragm, No demand switch

### No Control Transfer Pump 12 VDC

Model	PSI	BAR	GPM	L/min	Amps
SLV10-HA01	3	0.2	0.90	3.4	1.8
	10	0.7	0.73	2.8	2.1
	20	1.4	0.62	2.3	2.3
	30	2.1	0.49	1.9	2.5

# SHURflo® Accessories



## Drill Pump

Attaches to any standard 1/4" [6.35 mm] drill motor. Ideal for pumping water from appliances, aquariums, water beds, sinks, toilets or drums. Includes a 1/4" [6.35 mm] oil probe that easily allows the transfer of oil from cars, trucks, lawn and garden equipment. Not intended for use with flammable liquids or in flammable environments.

- Self-priming to 8 feet [2.4m] vertical
- Pumps liquids 40° F to 120° F [4.4° C to 48.8° C]
- BUNA impeller and seals
- 1/4" [6.35 mm] shaft fits standard drills

## Order Information

Part Number	Max GPH	Max LPH	Port Size	Shaft Size
3010-000	200	757	3/4" (M) GHT	1/4"



## Oil Change System

Makes a messy job clean and easy. Simply install the oil probe in the engine oil dipstick tube, attach the battery clips, and flip the switch. Oil is safely removed and stored in the easy to carry container. Oil should be heated to 140°F for maximum pump efficiency.

- Complete with necessary tubing and oil storage container
- 8 foot cable with battery clips
- Thermal overload protection

## Order Information

Model	Description
8050-305-426	Oil Change System

## Accumulator Tank, Heat Sink



Accumulator Tank

Heat Sink

## Order Information

Model	Description
181-101	Accumulator Tank: 24 oz. total capacity (liquid and air), pre-pressurized to 20 PSI [1.4 bar], [0 to 100 PSI [6.9 bar] range of adjustment], Santoprene® bladder, mounting bracket. 1/2" (F) NPT Female ports, NSF approved.
34-007	5" [12.7 cm] Heat Sink to assist cooling in Continuous-duty applications
34-006	3" [7.6 cm] Heat Sink to assist cooling in Continuous-duty applications

## Bowl-Style Strainers



Model	Description
255-223	50 Mesh screen, 1/2" Barb Inlet x 1/2 NPSM Female Outlet
255-313	50 Mesh screen, 1/2" NPSM Male Inlet x 1/2 NPSM Female Outlet, EPDM O-ring
255-323	50 Mesh screen, 1/2" Barb Inlet x 1/2 NPSM Female Outlet, EPDM O-ring
255-646	50 Mesh screen, 3/8" x 3/8" MNPT Poly/Nylon, Viton® O-ring
255-246	50 Mesh screen, 3/8" x 3/8" MNPT Poly/Nylon, Viton® O-ring
255-568	50 Mesh screen, 3/8" x 3/8" MNPT Poly/Nylon, EPDM O-ring
255-613	50 Mesh screen, 1/2" NPSM Male Inlet x 1/2 NPSM Female Outlet, Viton® O-ring
255-623	50 Mesh screen, 1/2" Barb Inlet x 1/2 NPSM Female Outlet, Viton® O-ring
255-413	50 Mesh screen, 1/2" NPSM Male Inlet x 1/2 NPSM Female Outlet, Buna O-ring



### Barb Tee

Part Number	Description
8-126-00	1/2" [12mm] Barb Tee - Polypro



### Barb Tee X Pipe

Part Number	Description
T3812T	3/8" [10mm] MNPT-Male x 1/2" Barb Tee - Nylon
3T3812T	3/8" [10mm] MNPT-Male x 1/2" Barb Tee - Poly



### Swivel Hex Wingnut Straight

Part Number	Description
234-2916	1/2" [12mm] NPT-Female x 3/8" [10 mm] Barb - Polypro
234-2926	1/2" [12mm] NPT-Female x 1/2" [12 mm] Barb - Polypro
234-2936	1/2" [12mm] NPT-Female x 5/8" [16 mm] Barb - Polypro
234-2946	1/2" [12mm] NPT-Female x 3/4" [19 mm] Barb - Polypro



### Swivel Hexnut Elbow

Part Number	Description
234-3926	1/2" [12mm] NPT-Female x 1/2" [12 mm] Barb Swivel Hexnut Elbow - Polypro
244-3366	1/2" [12mm] NPT-Female x 1/2" [12 mm] NPT Male Swivel Hexnut Elbow Adaptor - Nylon
234-3916	1/2" [12mm] NPT-Female x 3/8" [10 mm] Barb Swivel Hexnut Elbow - Polypro
234-3946	1/2" [12mm] NPT-Female x 3/4" [19 mm] Barb Swivel - Polypro
234-3936	1/2" [12mm] NPT-Female x 5/8" [16 mm] Barb Swivel - Polypro

\*Fitting available only in nylon – CHECK COMPATIBILITY.



### Barbed X Pipe Straight

Part Number	Description
8-005-01	3/8" [10mm] NPT-Male x 3/8" [10 mm] Barb - Polypro
8-007-01	3/8" [10mm] NPT-Male x 1/2" [12 mm] Barb - Polypro
244-5126	1/2" [12mm] NPT-Male x 1/2" [12 mm] Barb - Nylon



### Barbed X Pipe Elbow

Part Number	Description
8-006-01	3/8" [10mm] NPT-Male x 3/8" [10 mm] Barb - Poly
244-6128	3/8" [10mm] NPT-Male x 1/2" [12 mm] Barb - Poly



8-145-00



8-150-01



8-205-00

### Adapters

Part Number	Description
8-145-00	3/8" [10mm] NPT-Male x 1/2" [12 mm] NPT-Male - Polypro
8-150-01*	1/2" [12mm] NPT-Female x 3/4" [19 mm] GHT (M) - Nylon
8-205-00	1/2" [12mm] NPT-Female x 1/2" [12 mm] NPT-Male - Aceryl

\*Fitting available only in nylon – CHECK COMPATIBILITY.

# SHURflo® AG Runner



The SHURflo AG Runner Transfer Pump System is designed to safely and accurately transfer bulk chemicals to the point of use.

**Features include:**

- Industry leading pump
- Portable
- Can be used with a variety of bulk containers
- Built for rugged service with a heavy-duty welded frame
- Simple and accurate flow indicator

**Order Information**

Part Number	Flow Meter Type	Description
SF-1100-PTS	Pump-mounted (FM-1100)	Chemical Transfer Pump with 12 VDC motor, 20 ft. (6 m) cable, alligator clips and in-line fuse (Part # SF-1100 - EPDM valves or SF-1105 - Viton valves), electronic flow meter, 1-in. NPT x 12 ft. (3.7 m) EPDM discharge hose with ball valve/spout, and 1-in. NPT x 12 ft. (3.7 m) EPDM inlet hose with 1-in. elbow/ball valve/fitting assembly with locking cam arms
SF-1100-PTSi	Inline (FM-1100i)	
SF-1100-PTSi-00	No Flow Meter	
SF-1105-PTS	Pump-mounted (FM-1100)	
SF-1105-PTSi	Inline (FM-1100i)	

See Mini-Bulk Pump (pg. 98) for performance information.



# SHURflo Mini-Bulk Chemical Transfer System



SHURflo Mini-Bulk Chemical Transfer Pumps and Systems are designed specifically for chemical company tanks where the pump is integral to the tank. The SF-1100-REC system is mounted to any tank with a 9-inch, threaded opening. This system allows the pump to recirculate the suspended chemical components prior to transferring to the point of use.

**Order Information**

Part Number	Description
SF-1100-REC-DT	Chemical Transfer Pump with 12 VDC motor, 20 ft. (6 m) cable, alligator clips & in-line fuse (Part # SF-1100 - EPDM valves or SF-1105 - Viton valves), in-line electronic flow meter (Part # FM-1100i), 1-in. NPT x 12 ft. (3.7 m) EPDM discharge hose with ball valve/spout, 3-way valve, tubing and fittings to allow tank recirculation, and 28" (71 cm) dip tube. (SF-1100-REC-DT only)
SF-1105-REC*	

See Mini-Bulk Pump (pg. 98) for performance information.

\* Does not come with 28" dip tube. To order dip tube separately use part number 2407-0002





# SHURflo® Mini-Bulk Pumps



The SF-1100 Series Bulk Chemical Pumps are the industry leader. They are designed for efficiency and power to handle highly viscous fluids. Servicing the SF-1100 series pump is a rare event, but if needed, it can be serviced quickly and easily with only a few hand tools.

- Specialized EPDM elastics or Viton option
- 12 volt DC or 110 volt AC motor option
- 20 foot (6 m) cord with alligator clips and in-line fuse (DC only)
- Weather protected on/off switch
- Internal bypass to protect the pump at shut-off
- 2" MNPT inlet, 1" FNPT outlet
- Capable of priming up to 12 feet (3.7 m)

## Order Information

Part Number	Valves	Motor
SF-1100	EPDM	12 VDC
SF-1100-110V	EPDM	110 VAC
SF-1105	Viton®	12 VDC

Model	PSI	BAR	GPM	L/min	Amps
SF-1100 and SF-1105	0	0.0	10.7	40	9.3
	5	0.3	10.1	38	10.3
	10	0.7	8.7	33	12.3
	15	1.0	7.6	29	13.9

# SHURflo Mini-Bulk Flow Meters



The FM-1100 Series Electronic Flow Meter is designed for accurate and easy measuring of transferred chemicals. The FM-1100 Series Flow Meter is an integral component for a complete bulk chemical transfer system.

- Max. flow of 20 gpm (76 lpm) (.5% accuracy after calibration)
- Max pressure of 120 psi (8.3 bar)
- Accurate nutating disk design
- Large LCD display makes meter reading easy from a distance
- Simple calibration steps and control button layout
- Long-life lithium battery
- Easy-to-service electronics and batteries
- Available in pump-mounted and hose-end configurations

## Order Information

Part Number	Max GPM	Max LPM	Max PSI	Max BAR	Description
FM-1100	20	76	120	8.3	Pump-mounted meter kit- 1" MNPT inlet & outlet
FM-1100i	20	76	120	8.3	Inline meter kit -1" FNPT inlet & outlet

# SHURflo® Mini-Bulk Kits, Parts, & Accessories



Part# 94-718-00



Part# 94-719-00



Part# 94-720-00  
& 94-720-05



Part# 94-721-00

## Mini-Bulk Pump Kits for SF-1100 Series

Part Number	Description
94-718-00	Motor assembly kit used in any SF-1100 series pumps. Kit includes a 12 VDC motor with integrated pump lower housing, built-in on-off switch, 20 foot (6 m) cable, alligator clips and in-line fuse (Support bracket part # 84-1038-08)
94-719-00	Santoprene® diaphragm/lower housing/drive assembly - ready for installation
94-720-00	EPDM valve housing kits include a complete fully-assembled valve housing with o-ring seal* - ready for installation
94-720-05	Viton® valve housing kits include a complete fully-assembled valve housing with o-ring seal* - ready for installation
94-721-00	Polypropylene upper housing - includes o-ring seal* and pump head screws

\* Manufacturer recommends replacing the O-ring seal whenever the pump has been dismantled.



Part# 94-732-00



Part# 94-733-00



Part# 94-734-00



Part# 94-735-00



Part# 94-736-00

## Mini-Bulk Flow Meter Kits for FM-1100 Series

Part Number	Description
94-732-00	Flow meter electronics kit includes the front cover assembly and the electronic display with o-ring and batteries. Kit fits both pump-mounted and in-line meters (O-ring part # 5-040-154)
94-733-00	Flow meter housing seal cover kit includes the seal cover, o-ring and screws. Kit fits both pump-mounted and in-line meters. (O-ring part # 5-040-154)
94-734-00	Nutating chamber assembly, including o-ring seal. Kit fits both pump-mounted and in-line meters
94-735-00	90° meter housing with o-ring seal for pump-mounted flow meter. (O-ring part # 5-043-240)
94-736-00	Meter housing with o-ring seal for in-line flow meter. (O-ring part # 5-043-240)



Part# 3320-0064



Part# 8-727-00



Part# 94-712-00



Part# 94-716-00



Part# 94-717-00



Part# 94-723-00



Part# 94-724-00



Part# 94-725-00



Part# 94-737-00



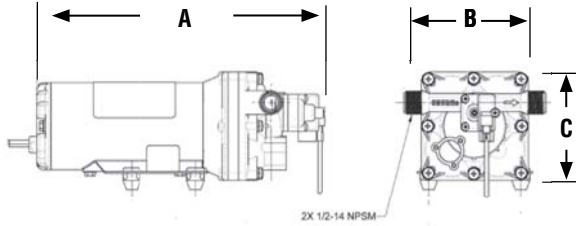
Part# 94-738-00

## Other Mini-Bulk Parts & Accessories

Part Number	Description
3320-0064	Anti-flow back valve for EPA compliance
8-727-00	2 inch FNPT by 1 inch FNPT polypropylene reducer coupling
94-712-00	2 inch male NPT by 2 inch female NPT street elbow fitting
94-716-00	1 inch NPT ball valve with spout
94-717-00	1 inch NPT x 12 foot EPDM discharge hose kit
94-723-00	Set of red and black alligator clips, including fuse holder
94-724-00	Replacement recirculation lid (Gasket part # 7-155-00)
94-725-00	Replacement recirculation cap
94-737-00	Recirculation system return hose kit - includes return hose and two hose clamps
94-738-00	Elbow, valve and coupling assembly - includes a 1 inch street elbow, 1 inch ball valve, and 1 inch bayonet tank coupling

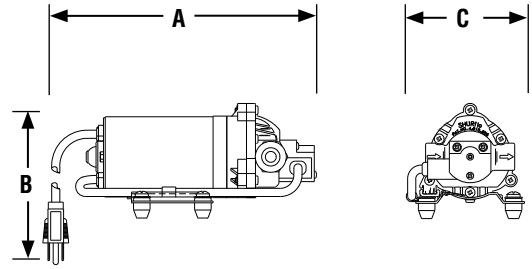
# Pump Dimensions

## 5059 Series



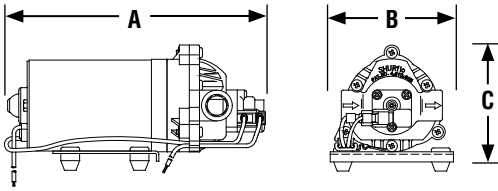
Model No.	A	B	C
5059-1311-D011	9.99"/25.4 cm	4.92"/12.5 cm	4.03"/10.2 cm
5059-1310-D011	9.99"/25.4 cm	4.34"/11 cm	4.03"/10.2 cm

## 8020 Series



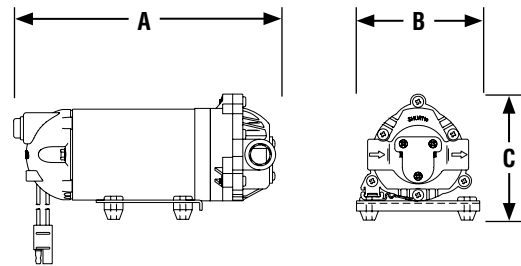
Model No.	A	B	C
8020-503-250	6.56"/16.7 cm	4.08"/10.2 cm	4.00"/10.4 cm
8020-513-236	7.56"/19.2 cm	4.08"/10.2 cm	4.00"/10.4 cm
8020-833-238	8.38"/21.3 cm	4.08"/10.2 cm	4.00"/10.4 cm

## 8000 Series



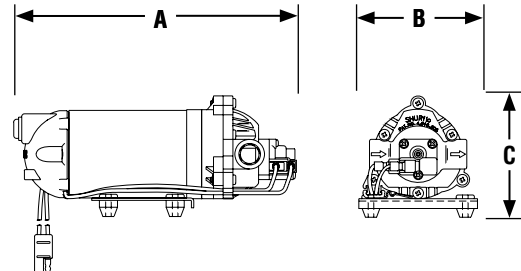
Model No.	A	B	C
8000-343-236	8.38"/21.3 cm	3.28"/8.3 cm	4.08"/10.4 cm
8000-533-236	7.56"/19.2 cm	3.28"/8.3 cm	4.08"/10.4 cm
8000-533-250	6.56"/16.7 cm	3.28"/8.3 cm	4.08"/10.4 cm
8000-541-236	7.56"/19.2 cm	3.28"/8.3 cm	4.08"/10.4 cm
8000-542-136	8.38"/21.3 cm	4.50"/11.4 cm	4.08"/10.4 cm
8000-543-136	8.38"/21.3 cm	4.50"/11.4 cm	4.08"/10.4 cm
8000-543-138	8.38"/21.3 cm	4.50"/11.4 cm	4.08"/10.4 cm
8000-543-210	7.28"/18.5 cm	3.28"/8.3 cm	4.08"/10.4 cm
8000-543-220	7.28"/18.5 cm	3.28"/8.3 cm	4.08"/10.4 cm
8000-543-236	8.38"/21.3 cm	4.00"/10.2 cm	4.08"/10.4 cm
8000-543-238	8.38"/21.3 cm	3.28"/8.3 cm	4.08"/10.4 cm
8000-543-250	7.28"/18.5 cm	4.00"/10.2 cm	4.08"/10.4 cm
8000-543-290	7.88"/20.0 cm	3.28"/8.3 cm	4.08"/10.4 cm
8000-543-936	8.38"/21.3 cm	3.28"/8.3 cm	4.08"/10.4 cm
8000-643-236	8.38"/21.3 cm	4.00"/10.2 cm	4.08"/10.4 cm
8006-543-250	7.28"/18.5 cm	3.28"/8.3 cm	3.60"/9.1 cm
8030-813-239	9.49"/24.1 cm	4.00"/10.2 cm	4.08"/10.4 cm
8030-863-239	9.49"/24.1 cm	4.00"/10.2 cm	4.08"/10.4 cm

## 8007 Series



Model No.	A	B	C
8007-543-850	8.49"/21.6 cm	4.08"/10.2 cm	4.00"/10.4 cm
8007-593-850	9.49"/24.1 cm	4.08"/10.2 cm	4.00"/10.4 cm

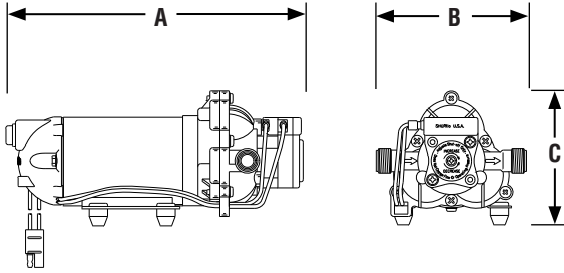
## 8007 Series



Model No.	A	B	C
8007-591-236	8.80"/22.4 cm	4.08"/10.2 cm	4.00"/10.4 cm
8007-593-836	9.62"/24.4 cm	4.08"/10.2 cm	4.00"/10.4 cm
8007-543-836	9.62"/24.4 cm	4.08"/10.2 cm	4.00"/10.4 cm

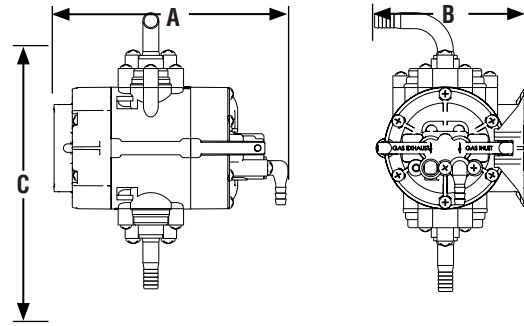
# Pump Dimensions

## 2087 Series



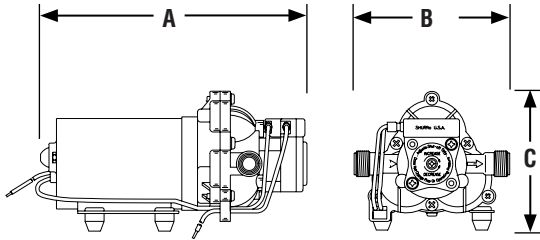
Model No.	A	B	C
2087-593-135	9.90"/25.1 cm	5.00"/12.7 cm	4.45"/11.3 cm

## 166 Series Air Pumps



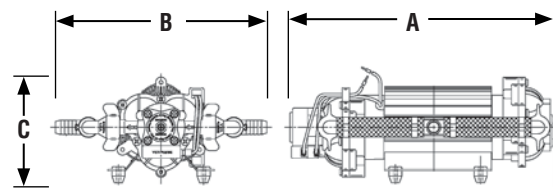
Model No.	A	B	C
166-200-36	5.8"/14.7 cm	3.8"/9.7 cm	6.75"/17.2 cm
166-200-46	5.8"/14.7 cm	3.8"/9.7 cm	6.75"/17.2 cm
166-200-56	5.8"/14.7 cm	3.8"/9.7 cm	6.75"/17.2 cm
166-200-57	5.8"/14.7 cm	3.8"/9.7 cm	6.75"/17.2 cm

## 2088 Series



Model No.	A	B	C
2088-313-145	9.90"/25.1 cm	5.00"/12.6 cm	4.40"/11.2 cm
2088-343-135	8.60"/21.8 cm	5.00"/12.7 cm	4.45"/11.3 cm
2088-343-170	9.90"/25.1 cm	5.00"/12.7 cm	4.45"/11.3 cm
2088-343-500	8.25"/21.0 cm	5.00"/12.7 cm	4.45"/11.3 cm
2088-394-144	8.60"/21.8 cm	5.00"/12.7 cm	4.50"/11.4 cm
2088-394-154	8.60"/21.8 cm	5.00"/12.7 cm	4.40"/11.2 cm
2088-443-144	8.60"/21.8 cm	5.00"/12.7 cm	4.45"/11.3 cm

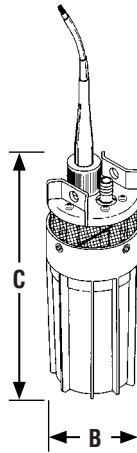
## Power Twin Series



Model No.	A	B	C
4111-035	12.4" (31.5 cm)	9.9" (25.1 cm)	4.9" (12.5 cm)
4211-035	12.4" (31.5 cm)	5.0" (12.7 cm)	4.9" (12.5 cm)

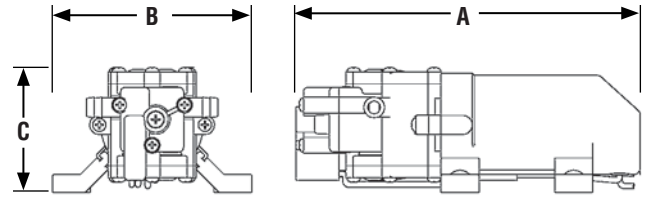
# Pump Dimensions

## Submersible Pump



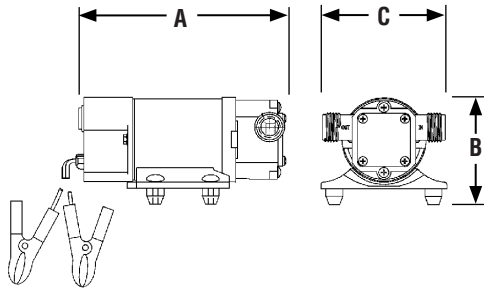
Model No.	A	B	C
9325-043-101	N/A	3.75"/9.5 cm	12.0"/30.5 cm

## SLV Series



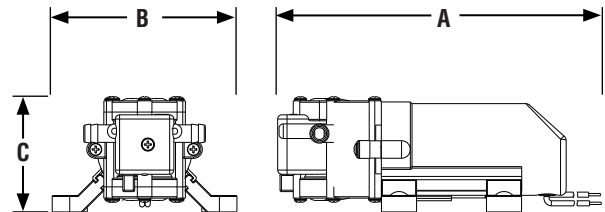
Model No.	A	B	C
SLV10-AA40	6.82"/17.3 cm	3.94"/10.0 cm	2.45"/6.2 cm
SLV10-AA41	6.82"/17.3 cm	3.94"/10.0 cm	2.45"/6.2 cm
SLV10-AB41	6.82"/17.3 cm	3.94"/10.0 cm	2.45"/6.2 cm
SLV10-AA48	6.82"/17.3 cm	3.94"/10.0 cm	2.45"/6.2 cm

## Flexible Impeller Pumps



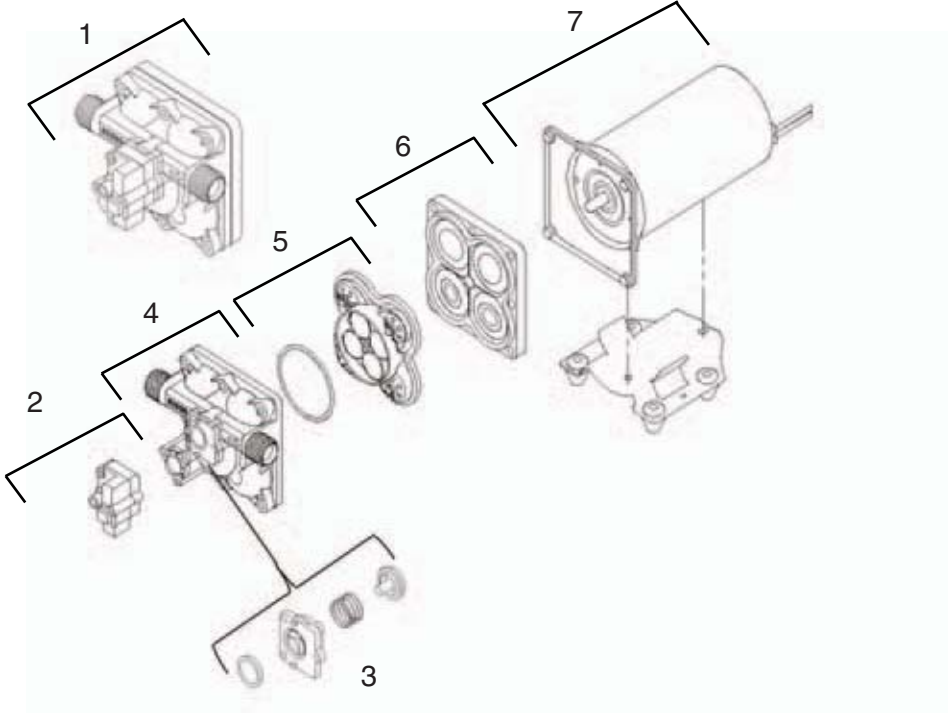
Model No.	A	B	C
3000-350	7.5"/19.1 cm	4.5"/11.4 cm	3.5"/8.9 cm

## SLV Pumps



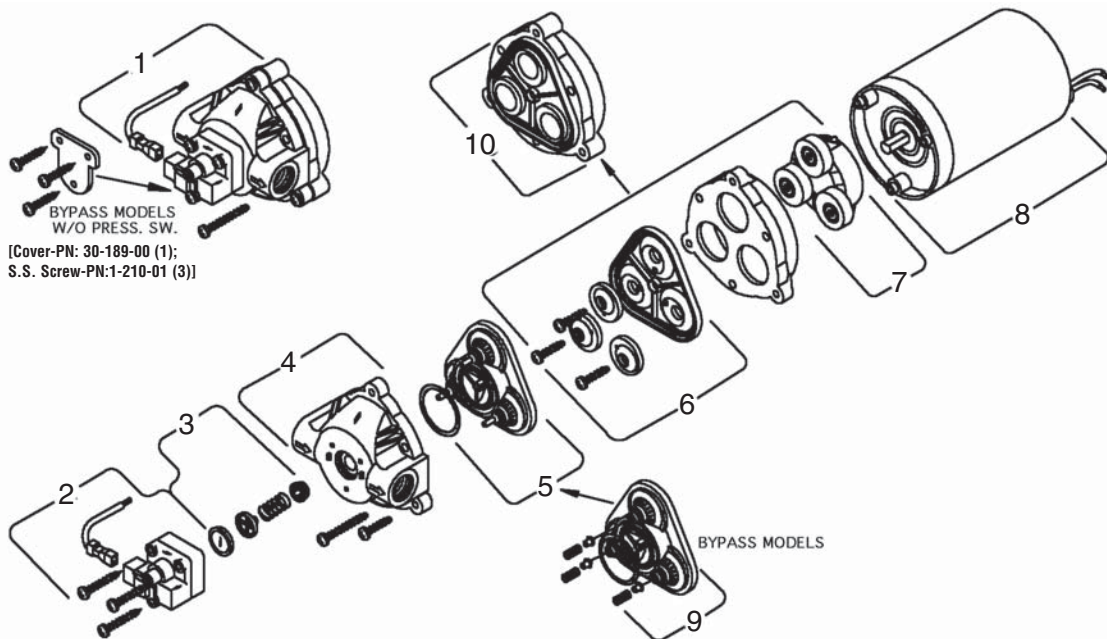
Model No.	A	B	C
SLV10-HA01	6.17"/15.6 cm	3.94"/10.0 cm	2.45"/6.2 cm

# 5059 Series Parts Kit List



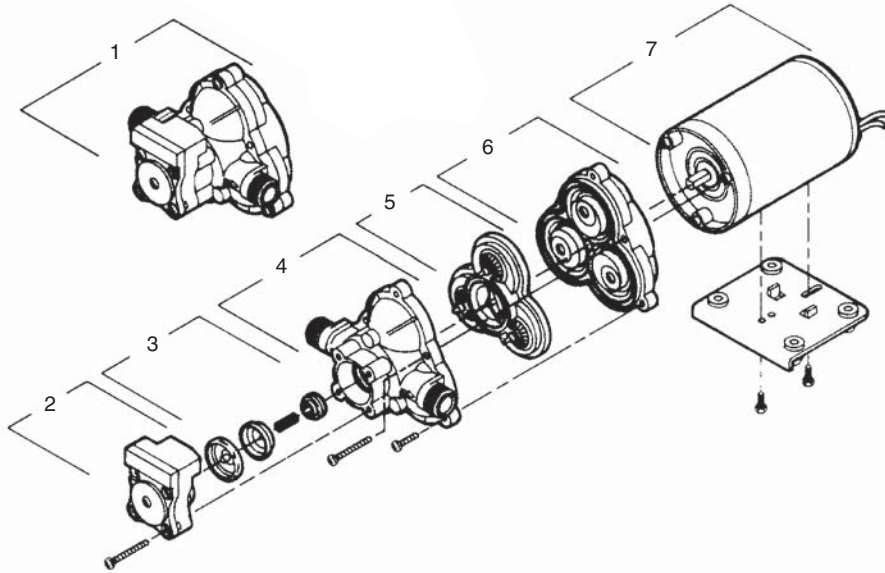
Model Number	1 Pumphead	2 Switch Only	3 Check Valve	4 Upper Housing w/switch	5 Valve Assembly	6 Drive Assembly	7 Motor
5059-1311-D011	94-804-04	94-804-05	94-804-03	94-804-00	94-804-01	94-804-02	94-71-000-17

# 8000 Series Parts Kit List



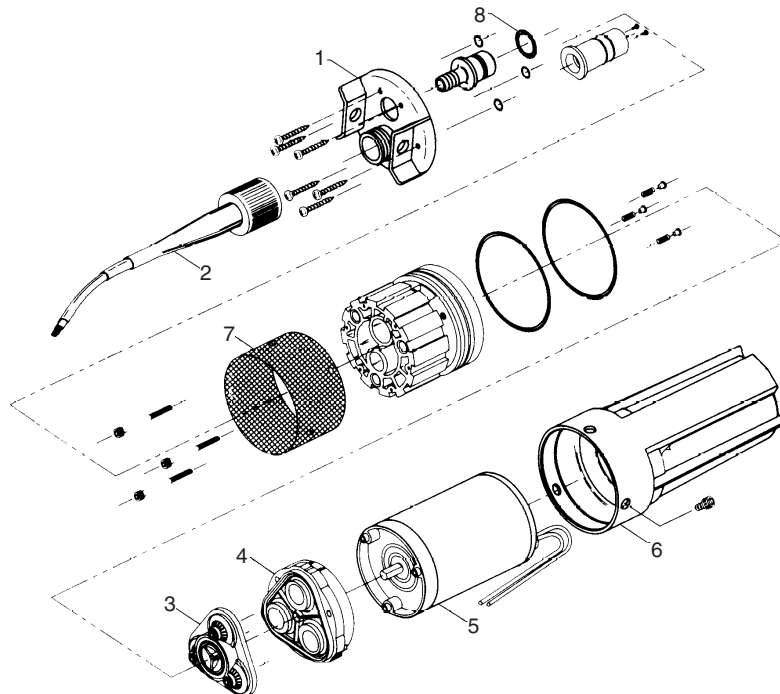
Model Number	1 Complete Pumphead Assembly	2 Switch Assembly	3 Check Valve Assembly	4 Upper Housing	5/9 Bypass/Non-Bypass Valve Assembly	6 Diaphragm Assembly	7/10 Drive Assembly	8 Motor
8000-343-236	94-380-05	94-375-05	94-374-05	94-379-00	94-390-05	94-395-05	94-385-04	11-111-00
8000-533-236	94-380-02	94-375-05	94-375-10	94-379-00	94-390-05	N/A	94-385-32	11-150-00
8000-533-250	N/A	N/A	N/A	94-379-00	94-391-09	N/A	94-385-32	11-150-00
8000-541-236	N/A	94-375-06	94-374-05	94-379-00	94-390-05	N/A	94-385-30	11-148-04
8000-542-136	N/A	94-375-06	94-374-05	94-378-00	94-390-05	N/A	94-385-32	11-111-00
8000-543-136	N/A	94-375-06	94-374-05	94-378-00	94-390-05	N/A	94-385-32	11-111-00
8000-543-138	N/A	94-375-15	94-374-05	94-378-00	94-390-05	N/A	94-385-32	11-111-00
8000-543-210	N/A	N/A	N/A	94-379-00	94-391-15	N/A	94-385-32	11-111-00
8000-543-220	N/A	N/A	N/A	94-379-00	94-391-07	N/A	94-385-32	11-111-00
8000-543-236	94-380-02	94-375-06	94-374-05	94-379-00	94-390-05	N/A	94-385-32	11-111-00
8000-543-238	N/A	94-375-18	94-374-05	94-379-00	94-390-05	N/A	94-385-32	11-111-00
8000-543-250	94-382-09	N/A	N/A	94-379-00	94-391-09	N/A	94-385-32	11-111-00
8000-543-290	N/A	N/A	N/A	94-379-00	94-390-05	N/A	94-385-32	11-111-00
8000-543-936	94-380-02	94-375-06	94-374-05	94-379-00	94-390-05	N/A	94-385-32	11-111-04
8000-643-236	N/A	94-375-04	N/A	94-379-00	94-390-10	94-395-10	94-385-03	11-111-00
8006-543-250	94-382-09	N/A	N/A	94-379-00	94-391-09	N/A	94-385-32	11-111-07
8007-543-836	N/A	94-375-06	94-374-08	94-379-00	94-390-05	N/A	94-385-32	11-184-02
8007-543-850	94-382-09	N/A	N/A	94-379-00	94-391-09	N/A	94-385-32	11-184-04
8007-591-236	N/A	94-375-06	94-374-08	94-379-00	94-390-05	94-395-06	N/A	11-148-00
8007-593-836	N/A	94-375-06	94-374-08	94-379-00	94-390-05	N/A	94-385-32	11-184-01
8007-593-850	94-382-09	N/A	N/A	94-379-00	94-391-09	N/A	94-385-32	11-184-03
8020-503-250	94-382-09	N/A	N/A	94-379-00	94-391-08	94-395-06	94-385-03	11-194-00
8020-833-238	94-380-28	94-375-06	N/A	94-379-01	94-390-15	94-395-16	94-385-03	11-195-01
8030-813-239	N/A	94-375-15	94-374-10	94-379-01	94-390-15	N/A	94-385-32	11-227-00
8030-863-239	N/A	94-375-20	94-374-10	94-379-01	94-390-15	N/A	94-385-32	11-223-00

# 2088 Series Parts Kit List



Model Number	1 Complete Pump head Assembly	2 Switch Assembly	3 Check Valve Assembly	4 Upper Housing	5 Bypass/Non Bypass Valve Assembly	6 Drive/Impeller Diaphragm Assembly	7 Motor
2088-313-145	94-286-15	94-230-55	94-237-05	94-231-30	94-232-05	94-238-03	11-185-06
2088-343-135	94-236-11	94-230-36	94-237-05	94-231-30	94-232-05	94-238-03	11-111-00
2088-343-170	N/A	N/A	N/A	94-231-40	94-232-05	94-238-03	11-174-01
2088-343-500	N/A	N/A	N/A	94-231-40	94-232-05	94-238-03	11-111-00
2088-394-144	N/A	N/A	94-237-00	94-231-30	94-232-05	94-238-03	11-195-01
2088-394-154	94-236-11	94-230-36	94-237-05	94-231-30	94-232-05	94-238-03	11-150-10
2088-443-144	94-236-20	94-230-35	94-237-00	94-231-30	94-232-00	94-238-03	11-111-00

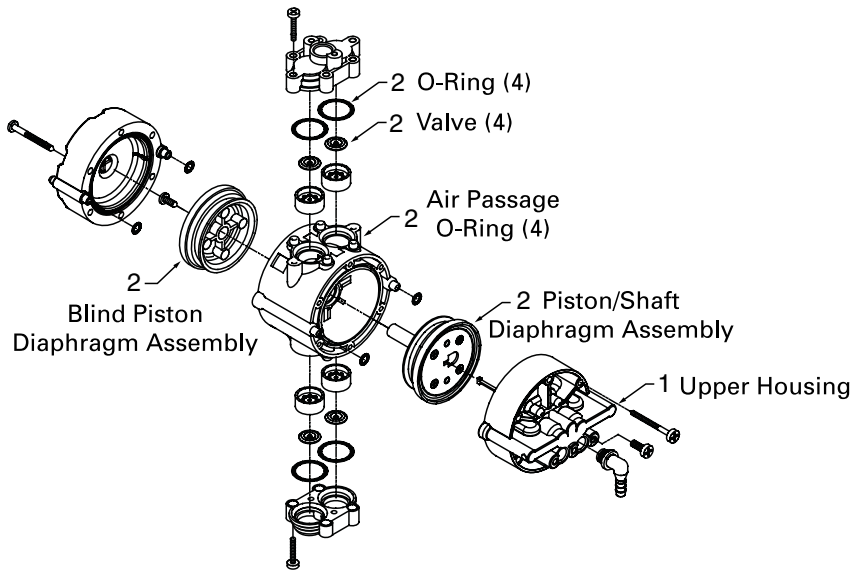
# 9300 Series Parts Kit List



Model Number	1 Lift Plate	2 Cable Plug	3 Valve	4 Lower Housing	5 Motor	6 Canister	7 Filter Screen	8 O-Ring
9325-043-101	94-135-00	94-136-00	94-137-00	94-138-00	94-139-00	94-140-00	94-141-00	94-142-00

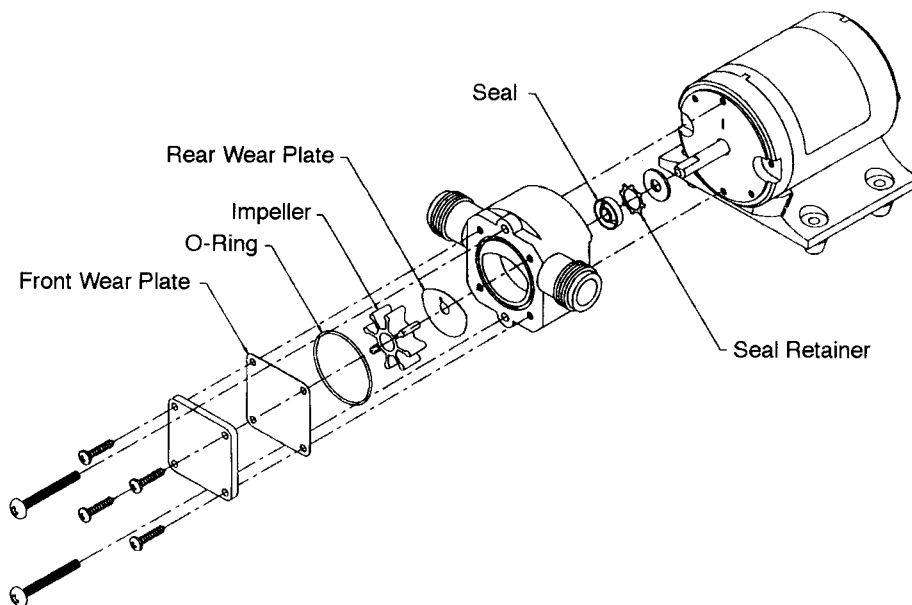


# 166 Series Parts Kit List



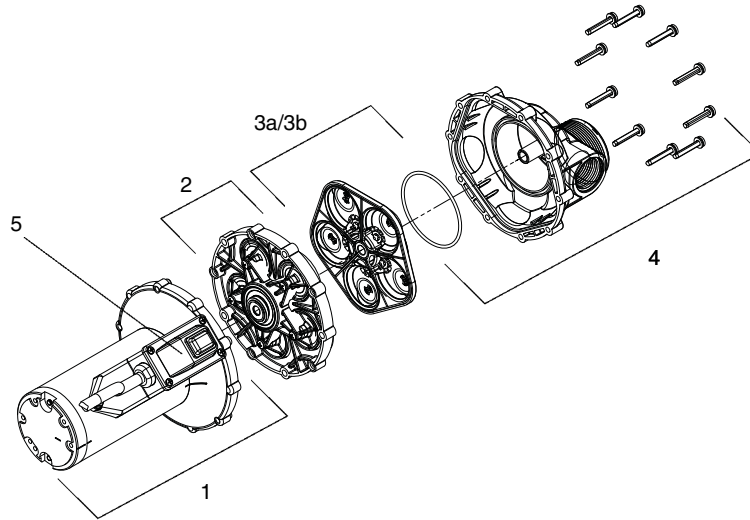
Model Number	Complete Pump Assembly	Switch Assembly	Check Valve Assembly	1 Upper Housing	Bypass Non-Bypass Valve Assembly	2 Diaphragm Assembly	Drive/Impeller Assembly	Motor
166-200-36	N/A	N/A	N/A	94-176-13	N/A	94-175-05	N/A	N/A
166-200-46	N/A	N/A	N/A	94-176-13	N/A	94-175-08	N/A	N/A
166-200-56	N/A	N/A	N/A	94-176-13	N/A	94-175-06	N/A	N/A
166-200-57	N/A	N/A	N/A	94-176-13	N/A	94-175-07	N/A	N/A

# 3000 Series Parts Kit List



Model Number	Complete Pump Assembly	Switch Assembly	Check Valve Assembly	Upper Housing	Bypass/ Non Bypass Valve Assembly	Diaphragm Assembly	1* Drive/Impeller Assembly	2 Motor
3000-350	94-122-00	N/A	N/A	N/A	N/A	N/A	94-120-00	11-214-01

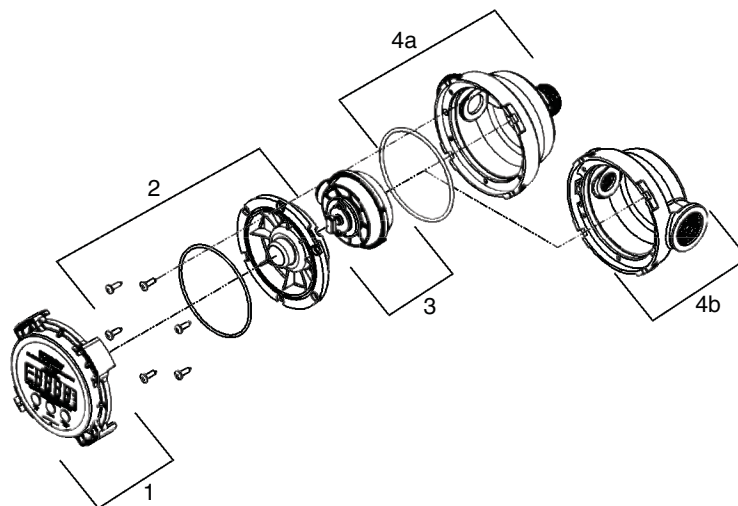
# SF-1100 and SF-1105 Dispensing Pump Kits



**SF-1100/SF-1105 Kits List**

Item	Kit Part No.	Description
1	94-718-00	Motor Assembly Kit
2	94-719-00	Diaphragm/Lower Housing/Drive Assembly Kit
3a	94-720-00	Valve Housing Assembly Kit (EPDM)
3b	94-720-05	Valve Housing Assembly Kit (Viton®)
4	94-721-00	Upper Housing Assembly Kit
5	94-747-00	Rocker Switch Kit

# FM-1100 & FM-1100i Electronic Flow Meter Kits



**FM-1100/FM-1100i Kits List**

Item	Kit Part No.	Description
1	94-732-00	Electronic Assembly Kit
2	94-733-00	Meter Housing Seal Cover Kit
3	94-734-00	Nutating Chamber Assembly Kit
4a	94-735-00	90-Degree Meter Housing Kit
4b	94-736-00	Inline Meter Housing Kit

# Limited Warranty on HYPRO/SHURFLO Agricultural Pumps & Accessories

---

Hypro/SHURflo (hereafter, "Hypro") agricultural products are warranted to be free of defects in material and workmanship under normal use for the time periods listed below, with proof of purchase.

- Pumps: one (1) year from the date of manufacture, or one (1) year of use. This limited warranty will not exceed two (2) years, in any event.
- Accessories: ninety (90) days of use.

This limited warranty will not apply to products that were improperly installed, misapplied, damaged, altered, or incompatible with fluids or components not manufactured by Hypro. All warranty considerations are governed by Hypro's written return policy.

Hypro's obligation under this limited warranty policy is limited to the repair or replacement of the product. All returns will be tested per Hypro's factory criteria. Products found not defective (under the terms of this limited warranty) are subject to charges paid by the returnee for the testing and packaging of "tested good" non-warranty returns.

No credit or labor allowances will be given for products returned as defective. Warranty replacement will be shipped on a freight allowed basis. Hypro reserves the right to choose the method of transportation.

This limited warranty is in lieu of all other warranties, expressed or implied, and no other person is authorized to give any other warranty or assume obligation or liability on Hypro's behalf. Hypro shall not be liable for any labor, damage or other expense, nor shall Hypro be liable for any indirect, incidental or consequential damages of any kind incurred by the reason of the use or sale of any defective product. This limited warranty covers agricultural products distributed within the United States of America. Other world market areas should consult with the actual distributor for any deviation from this document.

## Return Procedures

All products must be flushed of any chemical (ref. OSHA section 1910.1200 (d) (e) (f) (g) (h)) and hazardous chemicals must be labeled/tagged before being shipped\* to Hypro for service or warranty consideration. Hypro reserves the right to request a Material Safety Data Sheet from the returnee for any pump/product it deems necessary. Hypro reserves the right to "disposition as scrap" products returned which contain unknown fluids. Hypro reserves the right to charge the returnee for any and all costs incurred for chemical testing, and proper disposal of components containing unknown fluids. Hypro requests this in order to protect the environment and personnel from the hazards of handling unknown fluids.

Be prepared to give Hypro full details of the problem, including the model number, date of purchase, and from whom you purchased your product. Hypro may request additional information, and may require a sketch to illustrate the problem.

Contact Hypro Service Department at 800-468-3428 to receive a Return Merchandise Authorization number (RMA#). Returns are to be shipped with the RMA number clearly marked on the outside of the package. Hypro shall not be liable for freight damage incurred during shipping. Please package all returns carefully. All products returned for warranty work should be sent shipping charges prepaid to:

HYPRO / PENTAIR  
Attention: Service Department  
375 Fifth Avenue NW  
New Brighton, MN 55112

HYPRO EU Ltd.  
Station Road  
Longstanton  
Cambridge CB24 3DS UK

For technical or application assistance, call the Hypro Technical/Application number: 800-445-8360, or send an email to: [technical@hypropumps.com](mailto:technical@hypropumps.com). To obtain service or warranty assistance, call the Hypro Service and Warranty number: 800-468-3428 or +44 1954 260097 (EU); or send a fax to the Hypro Service and Warranty FAX: 651-766-6618 or +44 1954 260245 (EU).

\*Carriers, including U.S.P.S., airlines, UPS, ground freight, etc., require specific identification of any hazardous material being shipped. Failure to do so may result in a substantial fine and/or prison term. Check with your shipping company for specific instructions.



**Hypro LLC, 375 Fifth Avenue NW, New Brighton, MN 55112, USA**

Tel: 651-766-6300 Fax: 651-766-6600 E-mail: [hypro.sales@pentair.com](mailto:hypro.sales@pentair.com) Online: [www.hypropumps.com](http://www.hypropumps.com)

Technical: 800-455-8360 Order Department: 800-42-HYPRO (800-424-9776) FAX for fast delivery: 800-323-6496

**Hypro EU LTD., Station Road, Longstanton, Cambridge CB24 3DS, UK**

Tel: +44 1954 260097 Fax: +44 1954 260245

E-mail: [euaginfo@pentair.com](mailto:euaginfo@pentair.com) Order E-mail: [euagorders@pentair.com](mailto:euagorders@pentair.com) Online: [www.hypro-eu.com](http://www.hypro-eu.com)

---