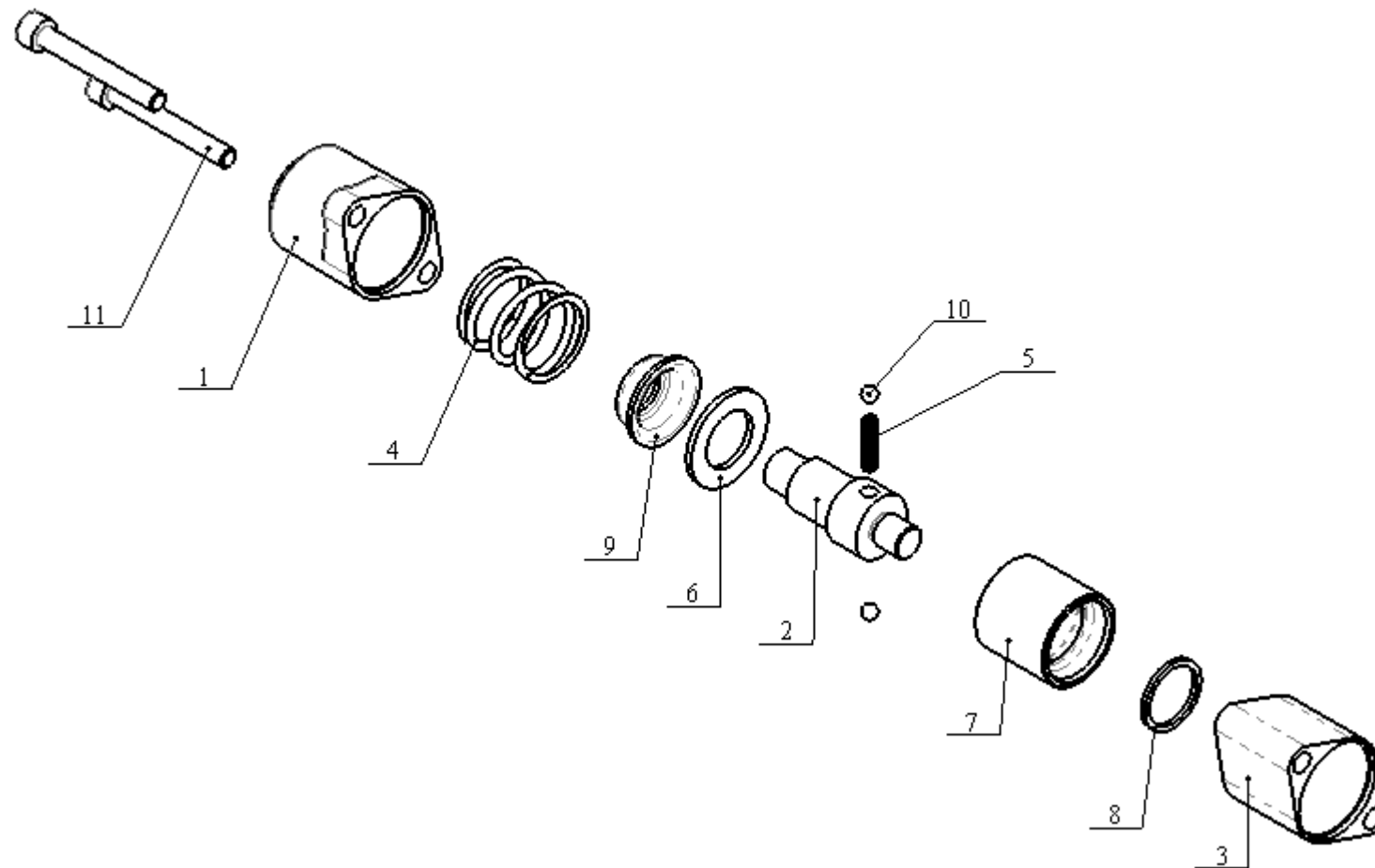
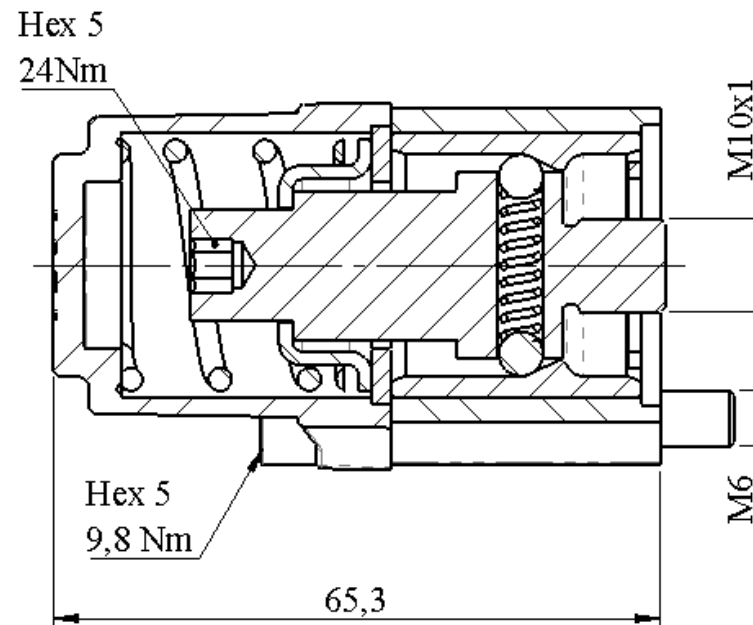
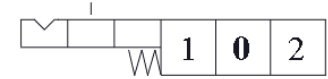


Spool positioner 2 /P80 (Z80)



Pos.	Description	Part no	Qty.
1	End cap	4110904	1
2	Detent, screw 2	4119044	1
3	Mid cap 2	4119043	1
4	Spring 1 (P4)	1000148	1
5	Spring 8, detent	4110570	1
6	Washer	1000923	1
7	Detent, sleeve 2,3	1000924	1
8	Washer 22x18.5x1.5	1000926	1
9	Spring guide 1	1004327	1
10	Steel ball 4,76	015353260 000000000	2
11	Screw M6x45-8.8	015037010 000000000	2