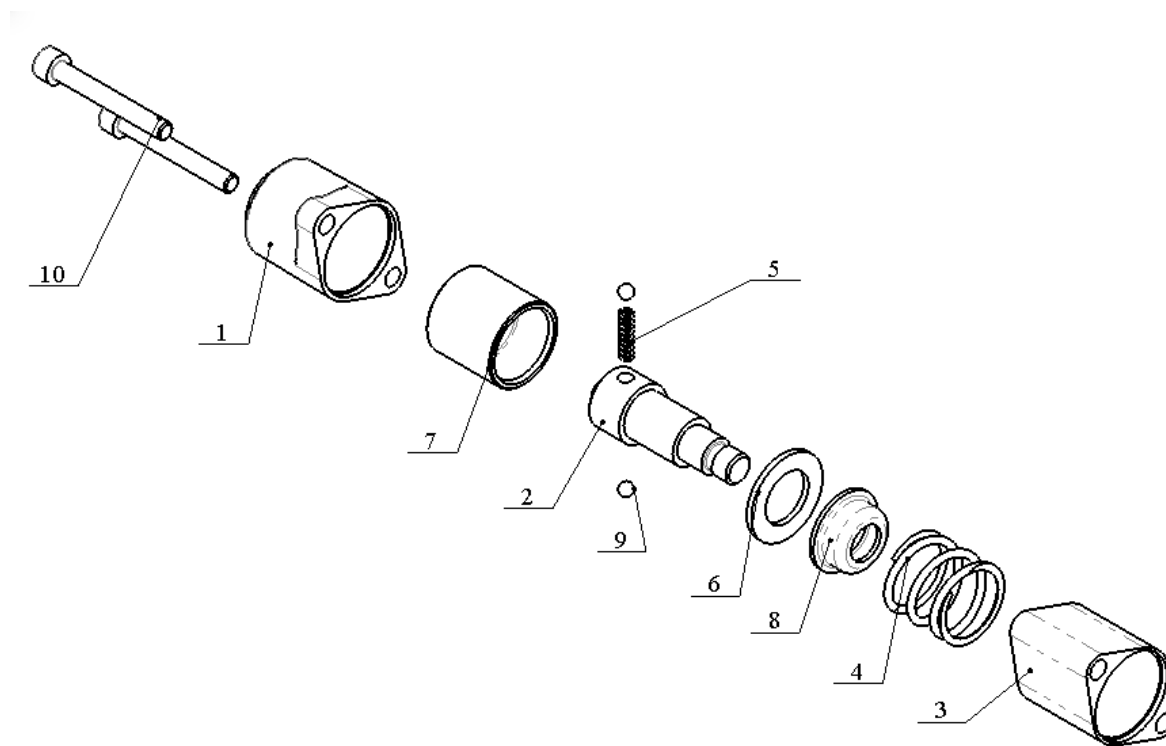
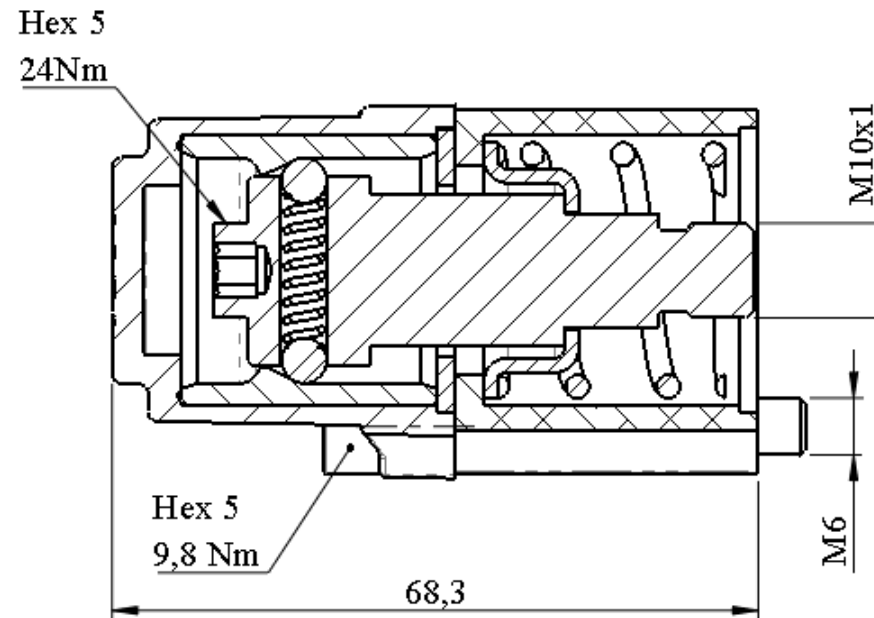
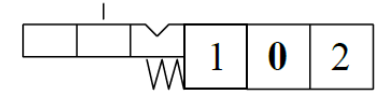


Spool positioner 3 /P80 (Z80)



Pos.	Description	Part no	Qty.
1	End cap	4110904	1
2	Detent, screw 3	4119056	1
3	Mid cap 16	4119015	1
4	Spring 1 (P4)	1000148	1
5	Spring 8, detent	4110570	1
6	Washer	1000923	1
7	Detent, sleeve 2,3	1000924	1
8	Spring guide 1	1004327	1
9	Steel ball 4,76	01535326 00000000	2
10	Screw M6x45-8.8	01503701 00000000	2