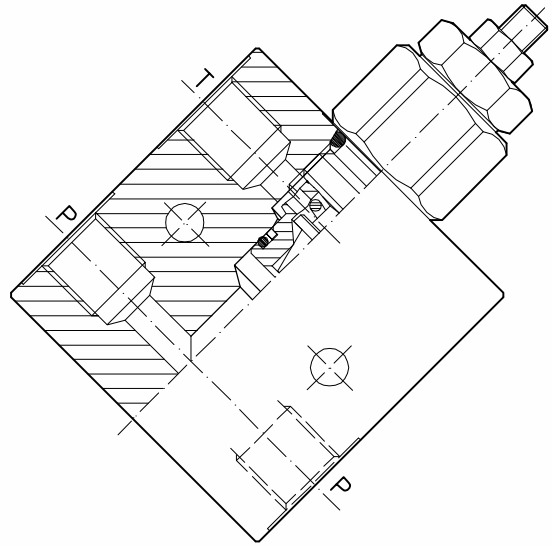
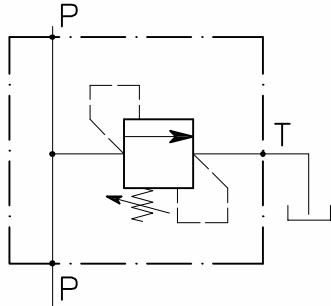


VMP-20-...-C-...-L-SN

CARTRIDGE RELIEF DIRECT ACTING POPPET TYPE VALVE WITH IN LINE BODY

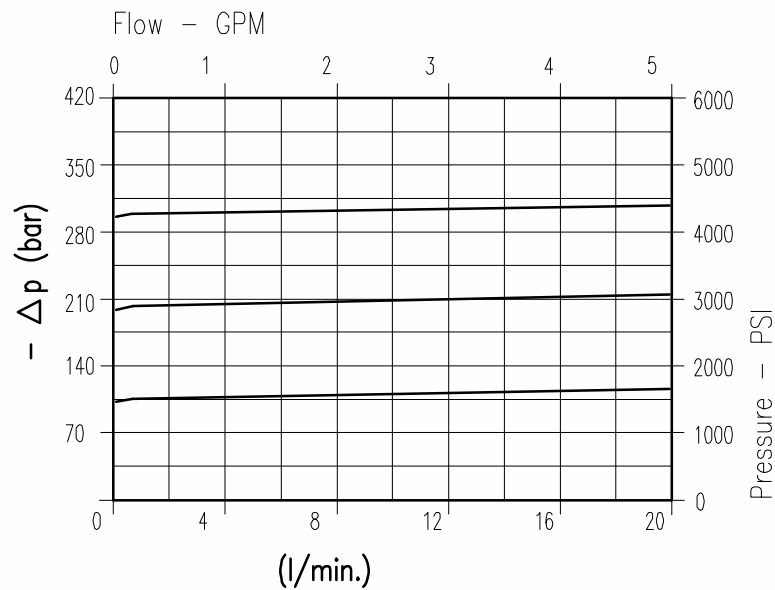


CARATTERISTICHE

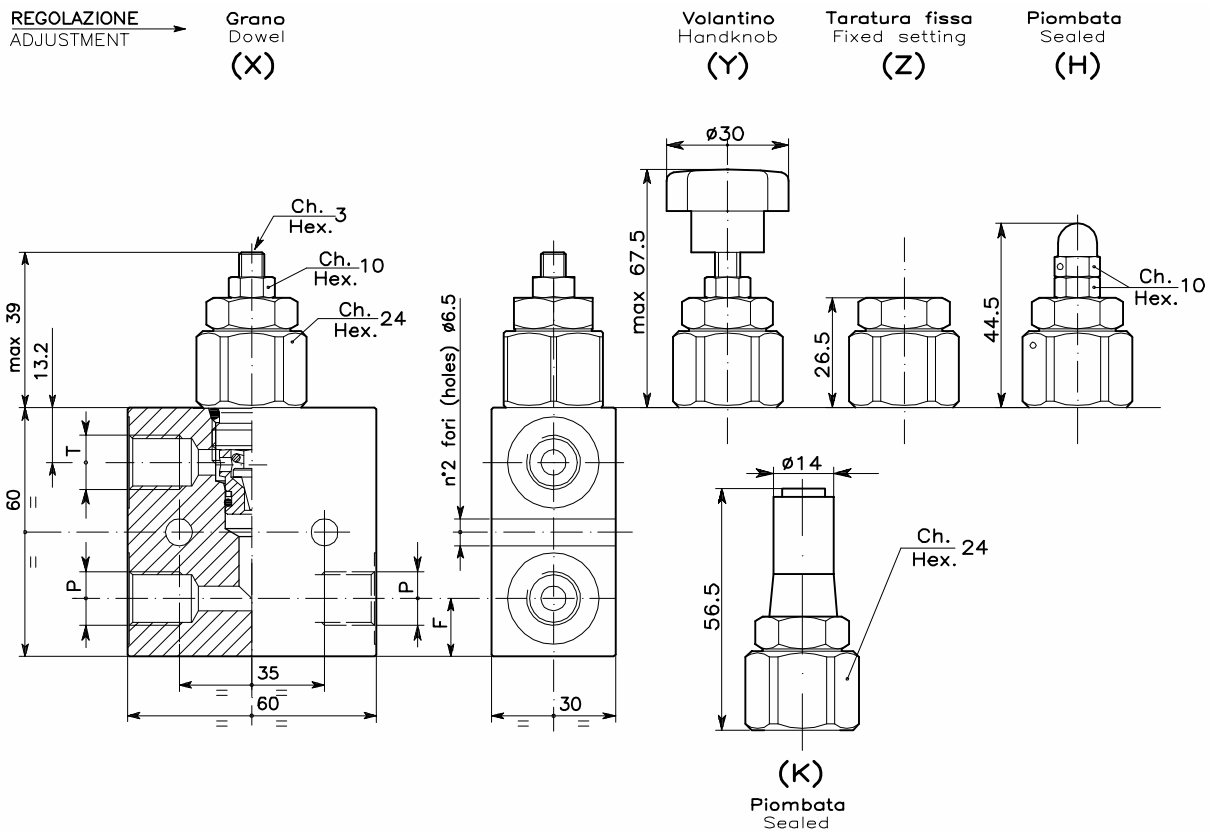
Luce nominale	DN 5
Portata min/max	20 l/min - 5.3 GPM
Pressione di lavoro max.	350 bar - 5075 PSI
Pressione max. di taratura	350 bar - 5075 PSI
Temperatura ambiente	-30°C + 50°C
Temperatura olio	-30°C + 80°C
Filtraggio consigliato	30÷50 micron
Peso 1/4" GAS	0.365 Kg
Peso 3/8" GAS	0.352 Kg

PERFORMANCE

Rated size
Min/max flow-rate
Max working pressure
Max setting pressure
Room temperature
Oil temperature
Recommended filtration
Weight 1/4" GAS
Weight 3/8" GAS



Oil viscosity 46 cSt at 50°C



DIMENSIONS

Campo taratura Setting range			F	Attacchi Port size P-T GAS (BSPP)
062	293	294	13	1/4"
063	295	296	14	3/8"

HOW TO ORDER

002 062 0 X 0

Campo taratura / Setting range					
062		293		294	
063		295		296	
Campo taratura 5÷100 bar (molla colore blu) Setting range 5÷100 bar (blue spring)		Campo taratura 10÷210 bar (molla colore verde) Setting range 10÷210 bar (green spring)		Campo taratura 20÷350 bar (molla colore giallo) Setting range 20÷350 bar (yellow spring)	
Taratura standard (Q=5 l/1')	Incr. press. - bar giro/vite	Taratura standard (Q=5 l/1')	Incr. press. - bar giro/vite	Taratura standard (Q=5 l/1')	Incr. press. - bar giro/vite
Std. bar setting (Q=5 l/1')	Pressure rise - turn of screw	Std. bar setting (Q=5 l/1')	Pressure rise - turn of screw	Std. bar setting (Q=5 l/1')	Pressure rise - turn of screw
70 bar	(--)	140 bar	(-)	280 bar	(-)

Regolazione Adjustment	
X	Grano - Dowel
Y	Volantino - Handknob
Z	Taratura fissa - Fixed setting
H	Piombata - Sealed
K	Piombata - Sealed