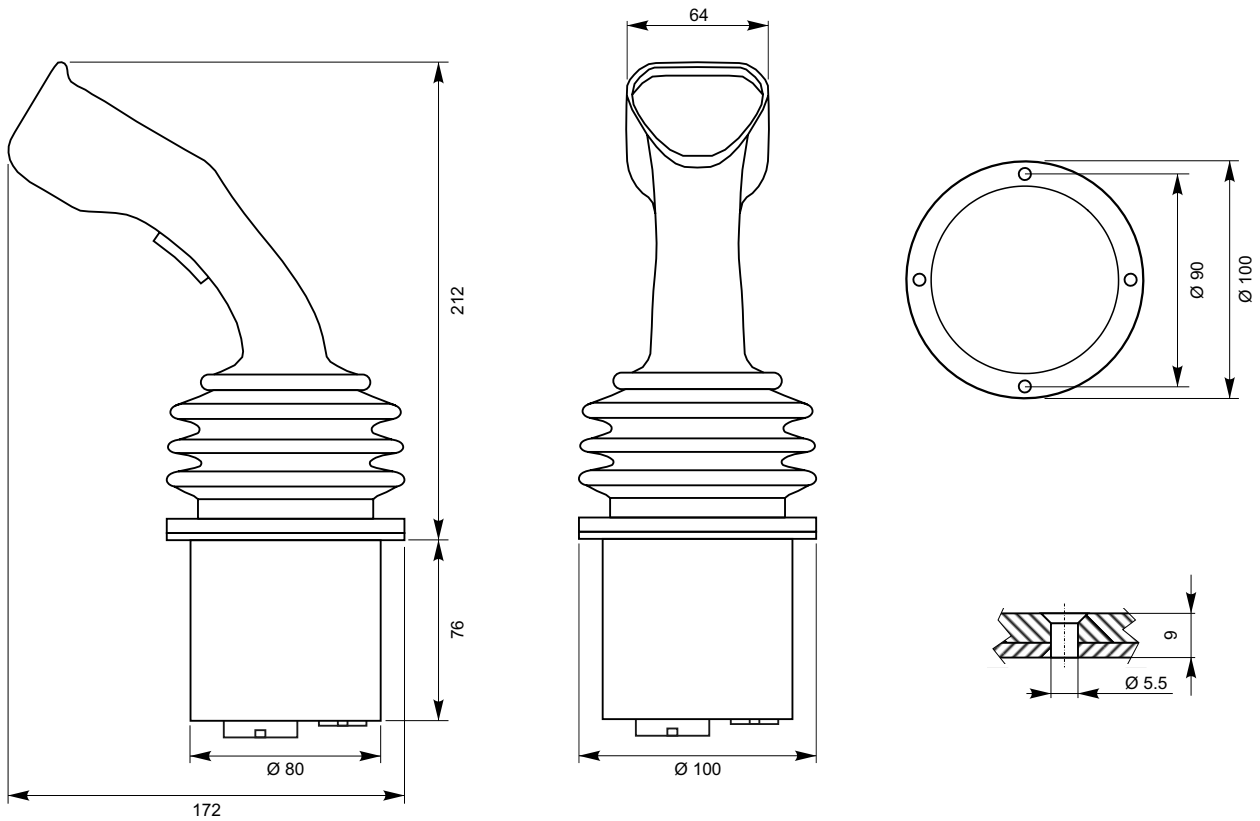
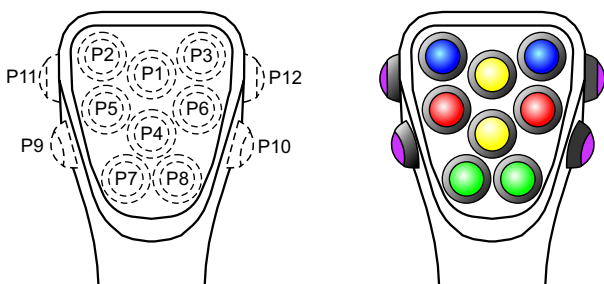




Dimensions

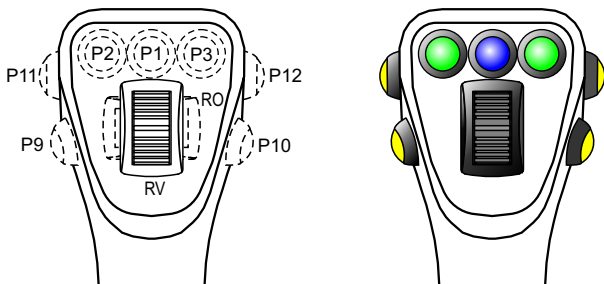


Push button position and thumbwheel codification



-  L type Push Button (low profile)
-  H type Push Button (high profile)

Available colours: yellow, orange, red, purple, blue, green.



All the possible configurations are available.

For each push button it is possible to choose the type (high or low) and the colour.

Thumbwheel can be mounted vertically (RV) or horizontally (RO).