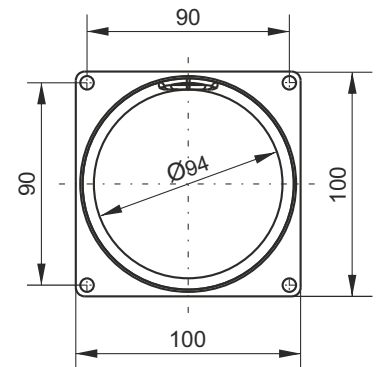
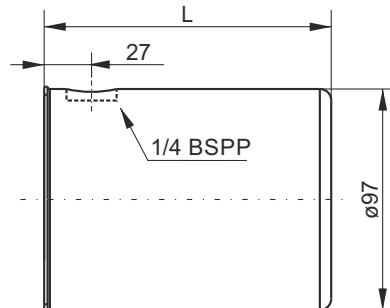


ROUND PLASTIC TANKS R SERIES



| Description | Spare part code | Assembly code | L (mm) | Weight | Actual filling volume (lt) | |
|--|------------------|---------------------|--------|---------|----------------------------|----------|
| | | | | | Horizontal | Vertical |
| 0,4 l round horizontal / vertical mounting | H50403001 | 0,4R / 0,4RV | 90 | 0,07 Kg | 0,45 | 0,35 |
| 0,7 l round horizontal / vertical mounting | H50403002 | 0,7R / 0,7RV | 124 | 0,09 Kg | 0,75 | 0,62 |
| 1,2 l round horizontal / vertical mounting | H50403003 | 1,2R / 1,2RV | 186 | 0,14 Kg | 1,17 | 1,05 |

| | |
|----------------------------|--|
| Material | PE-HD neutral / transparent color (DO NOT EXPOSE TO DIRECT SUNLIGHT) |
| Fluid | Mineral based oil ISO/DIN 6743/4 |
| Working temperature | -15 / +70°C |

Note: the piping kit, standard suction filter, filler/breather and discharge plug are included when specifying the tank in PPM assembly code

When ordering spare parts, only the discharge plug and filler/breather are included