







	SCPT	SCPT-CAN	SCT	SCRPM
<b>Intended use</b>				
	Measurement of pressure and temperature in standard applications <ul style="list-style-type: none"> <li>✓ Stainless steel cell</li> <li>✓ Higher burst pressure</li> <li>✓ Resistant to pressure peaks</li> </ul>	Measurement of pressure and temperature in standard applications <ul style="list-style-type: none"> <li>✓ Stainless steel cell</li> <li>✓ Higher burst pressure</li> <li>✓ Resistant to pressure peaks</li> <li>✓ CAN bus connection</li> </ul>	Measurement of pressure under high operating pressures <ul style="list-style-type: none"> <li>✓ Unique resistance to pressures up to 630 bar</li> <li>✓ Compact size</li> <li>✓ Fast reaction time</li> </ul>	Contactless RPM (speed) measurements <ul style="list-style-type: none"> <li>✓ Opto-electronic measurement</li> <li>✓ Installation or adjustment is not necessary</li> </ul>
<b>Measuring range</b>	-1...15/0...60/150/400/600/1.000 bar	-1...16/0...60/160/400/600/1.000 bar	-25...+125 °C	50...10.000 RPM
<b>Hydraulic connection</b>	1/2" BSPP		M10x1	
<b>Accuracy</b>	< ±0,5 % FS		< ±1 % FS	< ±0,5 % FS
<b>Electrical connection</b>	5 pin push-pull	5 pin M12x1	5 pin push-pull	Fixed cable
<b>Application</b>	Test bench, process engineering, materials handling, loading and lifting systems, general machinery construction and pneumatic or hydraulic installation construction 		Mobile hydraulics/ Industrial conveyor vehicles/utility vehicles/construction machinery/ agricultural machinery 	
<b>Order code</b>	SCPT-xxx-02-02	SCPT-xxx-C2-05	SCT-150-xx-02	SCRPM-xxx
<b>Refer to page</b>	38-40	41-42	43-46	47-49

- Robust stainless steel design
- Response times of 1 ms
- Capturing of pressure peaks
- Accuracy  $\pm 0,25$  % typ.
- Flexible operation
- SCPT series



Fast response times guarantee the safe capture of pressure peaks in hydraulic systems. The robust stainless steel construction allows a variety of applications, for example cooling water or pneumatics.

All pressure sensors are delivered with a diagnosis adapter (M16x2) installed. Connection to the hydraulic system takes place quickly and safely. Times for installation are reduced.

Pressure measurements	
-1... 015 bar	Pneumatics/ low pressure
0 ... 060 bar	Medium pressure
0 ... 150 bar	Medium pressure
0 ... 400 bar	Operating pressure hydraulics
0 ... 600 bar	High pressure
0 ... 1.000 bar	High pressure peaks
Temperature measurements	
-25...+105 °C	Oil temperature



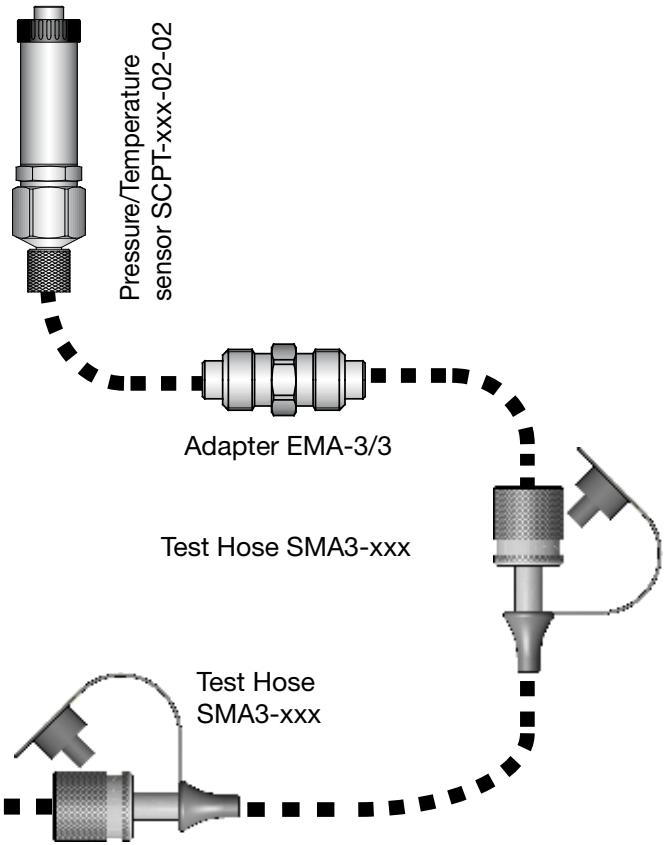
The Parker Service Master *Plus*  
or The Parker Service Master *Easy*



Serviceman  
SCM-152-x-02

Connection cable  
SCK-102-03-02

Connection cable  
SCK-102-03-02



**Pressure/Temperature measurement SCPT**

There is a selection of various measuring ranges for the measuring of pressures. Sensors can be used for pneumatic applications and also for measuring pressure peaks up to 1000 bar. The pressure/temperature sensors of the SCPT series have a temperature channel which is retrieved via the TEMP key.

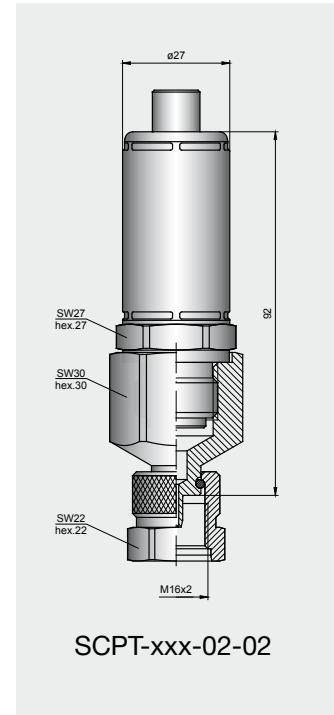
**Diagnostic adapters**

All pressure sensors in a measurement case (kit) are provided with a factory-assembled SCA-1/2-EMA-3 diagnostic adapter. The pressure sensors can be adapted to all standard measuring connections with the help of diagnostic couplings supplied. They are perfectly suitable for a quick and flexible diagnoses in hydraulic applications.

<b>SCPT Pressure/Temperature Sensor 1/2" BSPP male incl. Adapter SCA-1/2-EMA-3</b>	<b>#</b>
-1...015 bar/0...060 bar/0...150 bar/ 0...400 bar/0...600 bar/0...1.000 bar	SCPT-xxx-02-02

<b>SCPT Pressure/Temperature Sensor 1/2" BSPP male incl. Adapter SCA-1/2-PQC</b>	<b>#</b>
-1...015 bar/0...060 bar/0...150 bar/ 0...400 bar/0...600 bar	SCPT-xxx-02-02-PQC

<b>SCK Connection cable</b> Serviceman/The Parker Service Master Family	<b>#</b>
3 m (male 5 pin - male 5 pin)	SCK-102-03-02
5 m Extension (male 5 pin - female 5 pin)	SCK-102-05-12



#	SCPT-015	SCPT-060	SCPT-150	SCPT-400	SCPT-600	SCPT-1000
Measuring Range (bar)	-1...015	0...060	0...150	0...400	0...600	0...1.000
Overload Pressure P <sub>max</sub> (bar)	30	120	300	800	1.200	1.200
Burst Pressure (bar)	150	500	900	1.200	1.800	2.500
Temperature Measuring Range (°C) Accuracy (± 1,5 %) FS	-25...+105	-25...+105	-25...+105	-25...+105	-25...+105	-25...+105

FS = Full Scale Range

Accuracy	typ. ±0,25 % max. ±0,5 % + 0,2 %/year
Response Time (ms)	1
Electrical connection	5 pin connector
Pressure Port	1/2" BSPP
Housing	Stainless Steel 1.4301
Weight (g)	200

Seal	FKM
Ambient Temperature Range (°C)	-25...+80
Storage Temperature Range (°C)	-20...+80
T <sub>max</sub> Fluid (°C)	+105
Reliability Cycles (10 <sup>6</sup> )	100
Shock Load	IEC 68-2-29

- Robust stainless steel design
- Response times of 1 ms
- Capturing of pressure peaks
- State-of-the-art CAN bus technology
- Simple wiring with SPEEDCON®
- Long cable lengths up to 100 m
- Sensor identification LED (SIL)



All the advantages of the analog SCPT sensors are combined with state-of-the-art CAN bus technology. Simple wiring with up to 8 sensors on one bus cable and the SPEEDCON® quick-plug screw connection. Plug & Play functionality without much configuration efforts.

All pressure sensors are delivered with a diagnosis adapter (M16x2) installed. Connection to the hydraulic system takes place quickly and safely. Times for installation are reduced.

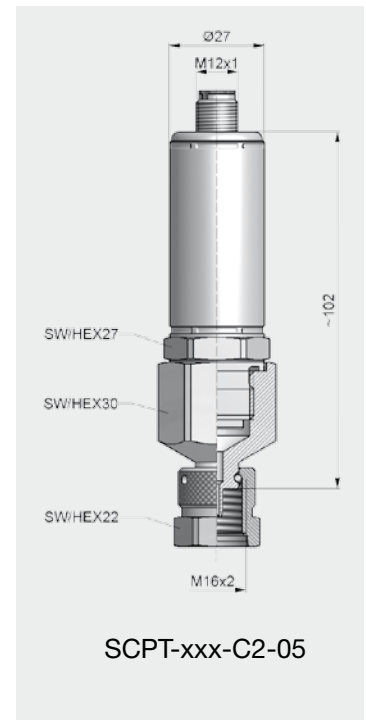
Pressure measurements	
-1... 016 bar	Pneumatics/ low pressure
0 ... 060 bar	Medium pressure
0 ... 160 bar	Medium pressure
0 ... 400 bar	Operating pressure hydraulics
0 ... 600 bar	High pressure
0 ... 1.000 bar	High pressure peaks
Temperature measurements	
-25...+105 °C	Oil temperature

SPEEDCON® is a registered trademark of PHOENIX CONTACT GmbH & Co. KG

<b>SCPT Pressure/Temperature Sensor CAN</b> <b>1/2" BSPP male incl. Adapter SCA-1/2-EMA-3</b>	<b>#</b>
-1...016 bar/0...060 bar/0...160 bar/ 0...400 bar/0...600 bar/0...1.000 bar	SCPT-xxx-C2-05

<b>SCPT Pressure/Temperature Sensor</b> <b>1/2" BSPP male incl. Adapter SCA-1/2-PQC</b>	<b>#</b>
-1...016 bar/0...060 bar/0...160 bar/ 0...400 bar/0...600 bar	SCPT-xxx-C2-05-PQC

<b>SCK Connection cable CAN</b> The Parker Service Master <i>Plus</i>	<b>#</b>
2 m	SCK-401-02-4F-4M
5 m	SCK-401-05-4F-4M
10 m	SCK-401-10-4F-4M



#	SCPT-016	SCPT-060	SCPT-160	SCPT-400	SCPT-600	SCPT-1000
Measuring Range (bar)	-1...016	0...060	0...160	0...400	0...600	0...1.000
Overload Pressure P <sub>max</sub> (bar)	32	120	320	800	1.200	1.200
Burst Pressure (bar)	150	500	900	1.200	1.800	2.500
Temperature Measuring Range (°C) Accuracy ±2K typ./±3K max.	-25...+105	-25...+105	-25...+105	-25...+105	-25...+105	-25...+105

Accuracy	typ. ±0,25 % max. ±0,5 % + 0,2 %/year
Response Time (ms)	1
Electrical connection	5 pin, M12x1, connector
Pressure Port	1/2" BSPP
Housing	Stainless Steel 1.4301
Weight (g)	200
Seal	FKM

Ambient Temperature Range (°C)	-25...+85
Storage Temperature Range (°C)	-25...+85
T <sub>max</sub> Fluid (°C)	+105
Reliability Cycles (10 <sup>6</sup> )	100
Shock Load	IEC 68-2-29
Vibration Resistance	IEC 68-2-6 10...500 Hz