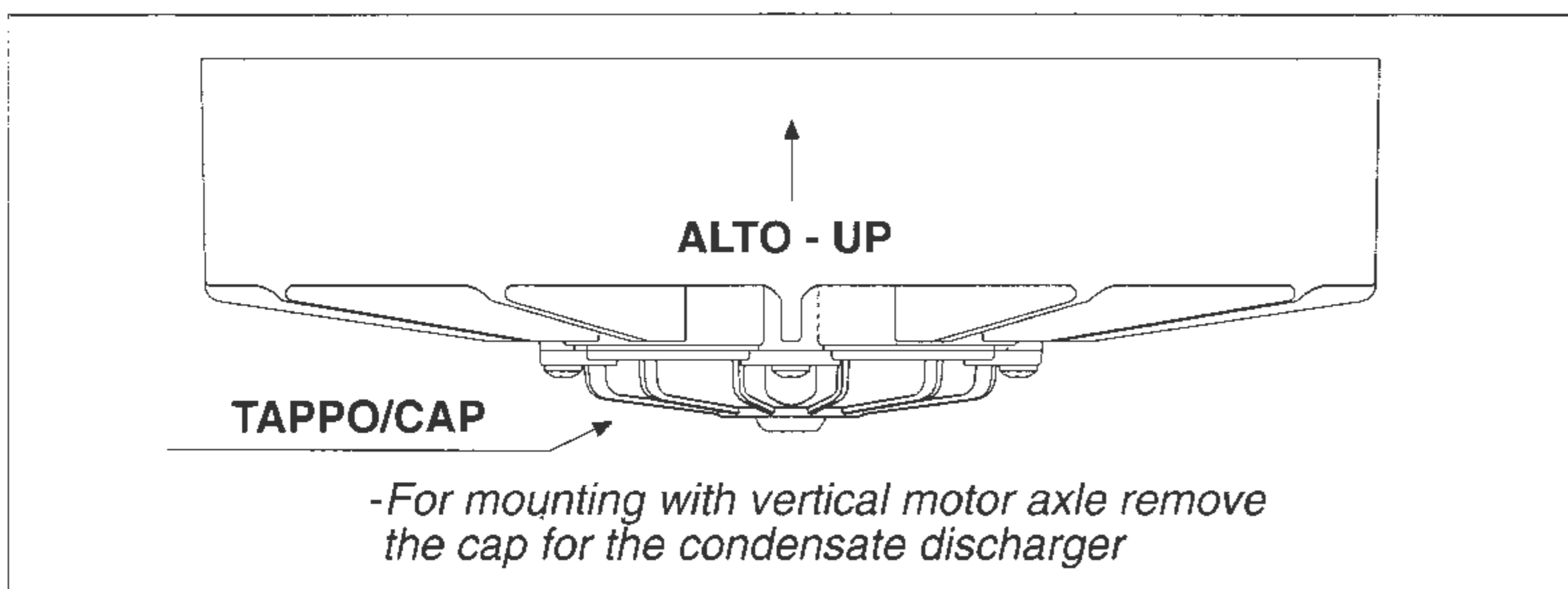
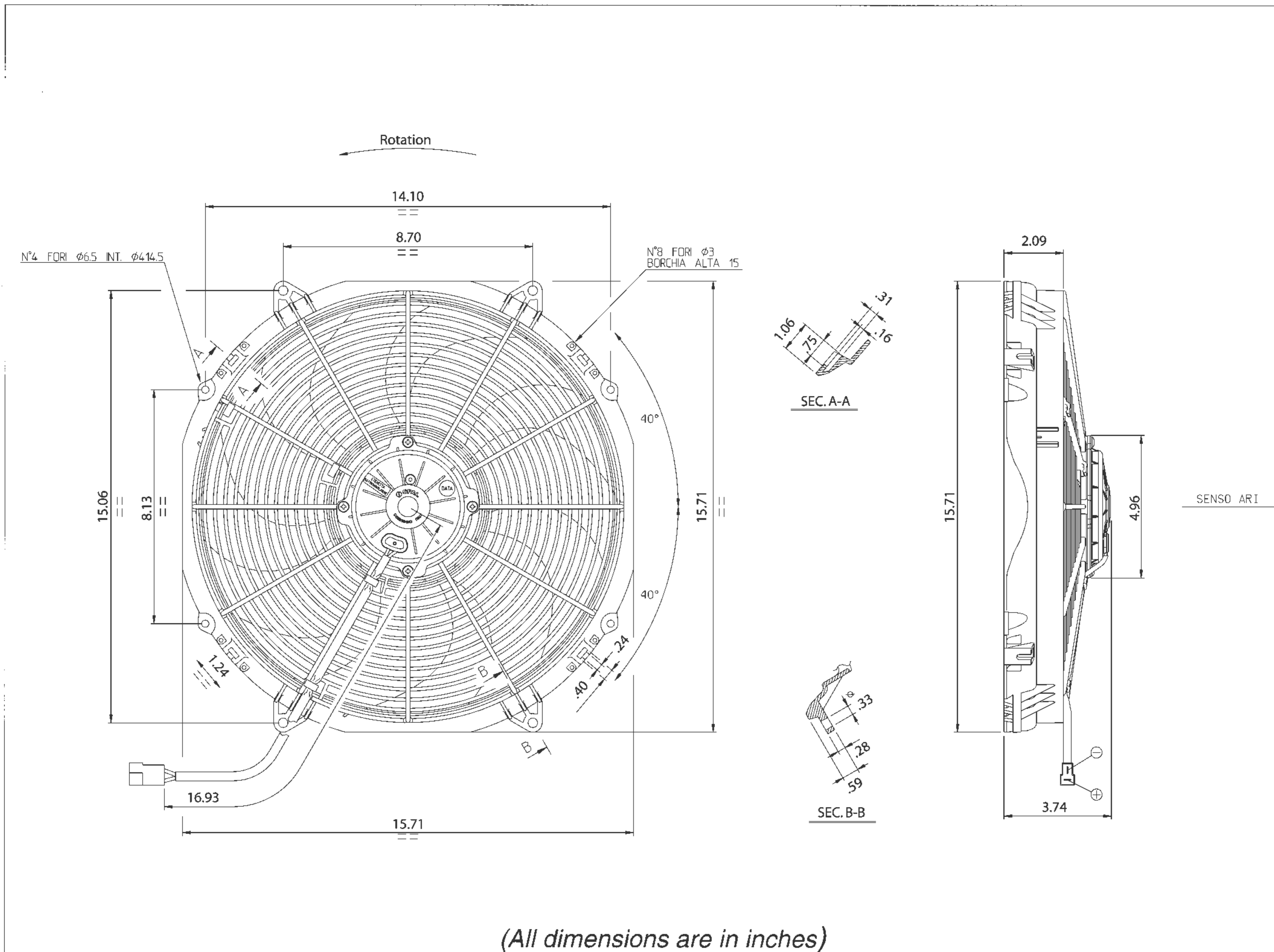


| | | |
|------------------|--------------------------|---------------------|
| Art. 30102082 | Type VA33-AP71/LL-65A | Fan diameter 16" |
|------------------|--------------------------|---------------------|



- * Weight 5.17 lbs. approx.
- * Long life
- * Fan with back skewed blades
- * Low noise
- * Available accessories: all the mounting kits.

Test voltage 13 V DC

| Static pressure in H ₂ O | PUSH | | PULL | |
|--|----------------|--------------------|----------------|--------------------|
| | Airflow cfm | Current input A | Airflow cfm | Current input A |
| 0 | - | - | 2470 | 22.0 |

Static pressure: 1 mm H₂O = 0,04 in. H₂O
Airflow: 1 m³/h = 0,59 cfm