



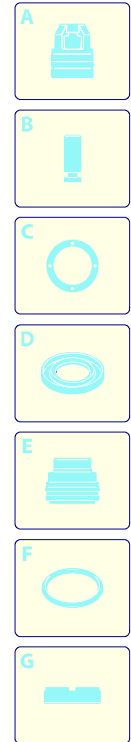
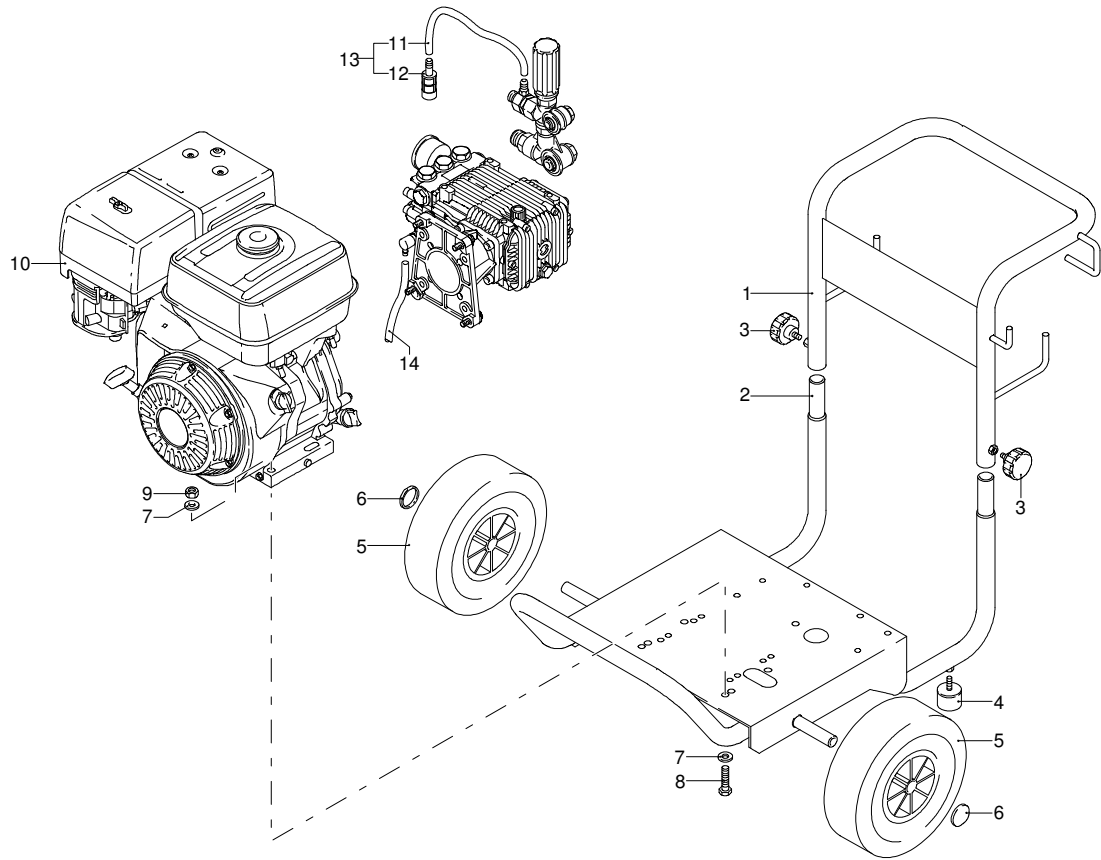
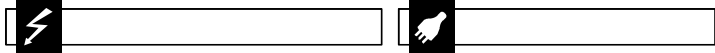
Model 840

Version:

Serial number:

Code: **22329**

08/02/2010



Validity	Pos.	Code	Description	Q
	1	2281640	Handle	1
	2	2281630	Frame	1
	3	2281700	Handwheel	2
	4	2281690	Vibration damper	2
	5	380561	Wheel	2
	6	50016	Plug	2
	7	320620	Washer	8
	8	200230	Screw	4
	9	2240110	Nut	4
	10	4554	Motor	1
	11	1262790	Detergent hose	1
	12	1341030	Filter	1
	13	1269115	Hose assembly	1
	14	2180150	Detergent hose	1



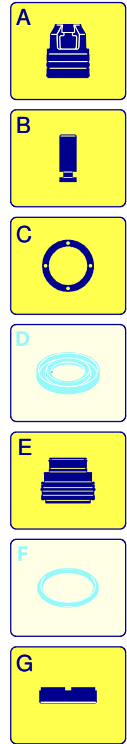
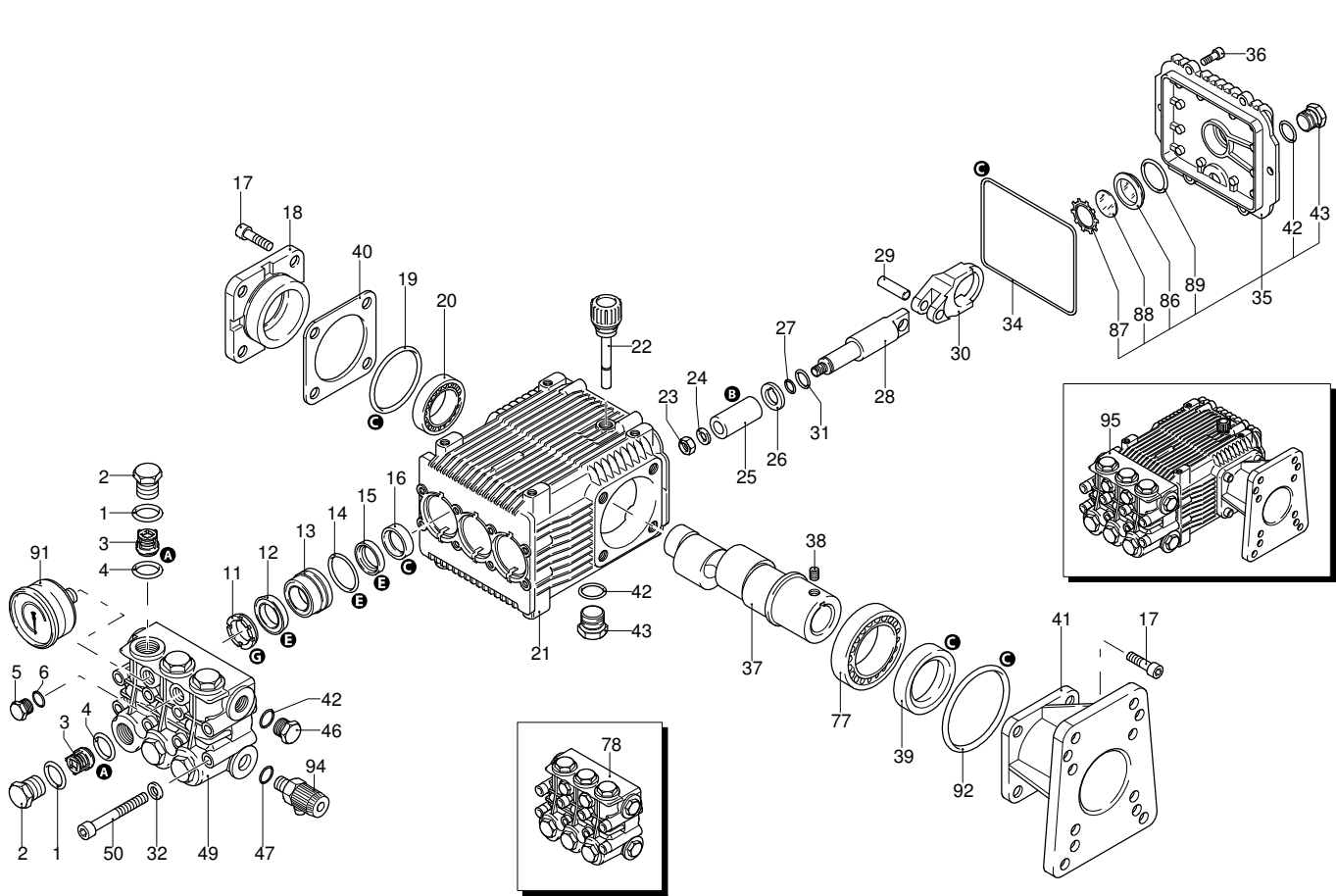
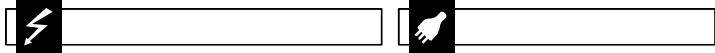
Model 840

Version:

Serial number:

Code: **22329**

08/02/2010



Validity	Pos.	Code	Description	Q
	1	960160	O-ring	6
	2	960850	Plug	6
	3	889052	Valve	6
	4	1382740	Water seal	6
	5	880581	Plug	1
	6	820510	O-ring	1
	11	960110	Ring	3
	12	880320	Water seal	3
	13	1380090	Piston guide	3
	14	961240	O-ring	3
	15	880330	Water seal	3
	16	1383130	Oil seal	3
	17	850370	Screw	8
	18	1380050	Support	1
	19	640030	O-ring	2
	20	2280240	Bearing	1
	21	1382770	Pump body	1
	22	880130	Plug	1
	23	962010	Nut	3
	24	962000	Washer	3
	25	1380940	Piston	3
	26	1380950	Plate	3
	27	600180	O-ring	3
	28	1380920	Pin	3
	29	1380060	Pin	3
	30	1383020	Connecting-rod	3
	31	1080401	Ring	3
	32	1381850	Washer	8
	34	1780510	O-ring	1
	35	1789010	Cover	1
	36	1343510	Screw	6
	37	2280130	Shaft	1
	38	820440	Screw	1
	39	621170	Oil seal	1
	40	1380120	Shim 0.10 mm	1
	40	1380130	Shim 0.20 mm	1
	40	1380530	Shim 0.25 mm	1
	40	1382810	Shim 0.05 mm	1
	41	2281510	Flange	1
	42	740290	O-ring	3
	43	1980740	Plug	2
	46	1980740	Plug	1
	47	180101	O-ring	1
	49	2281590	Head	1
	50	820150	Screw	8
	77	1380320	Bearing	1
	78	2289235	Head assembly	1
	86	1260250	Level gauge	1
	87	1260430	Ring	1
	88	1780690	Plate	1
	89	1140450	O-ring	1
	91	1381580	Pressure gauge	1
	92	1380220	O-ring	1
	94	50129	Valve	1
	95	20699	Pump	1
	A	1828	Valve kit	1
	B	2757	Piston kit	1
	C	1856	Oil seal kit	1
	E	1857	Water seal kit	1
	G	1829	Support ring kit	1

UN_CE_0128-HW



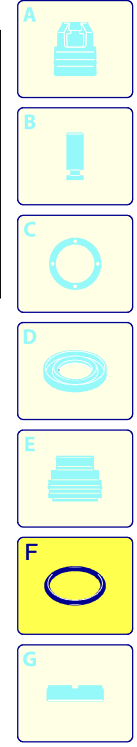
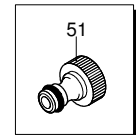
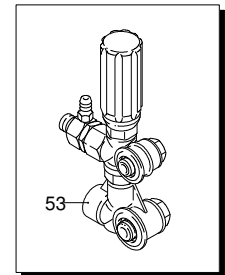
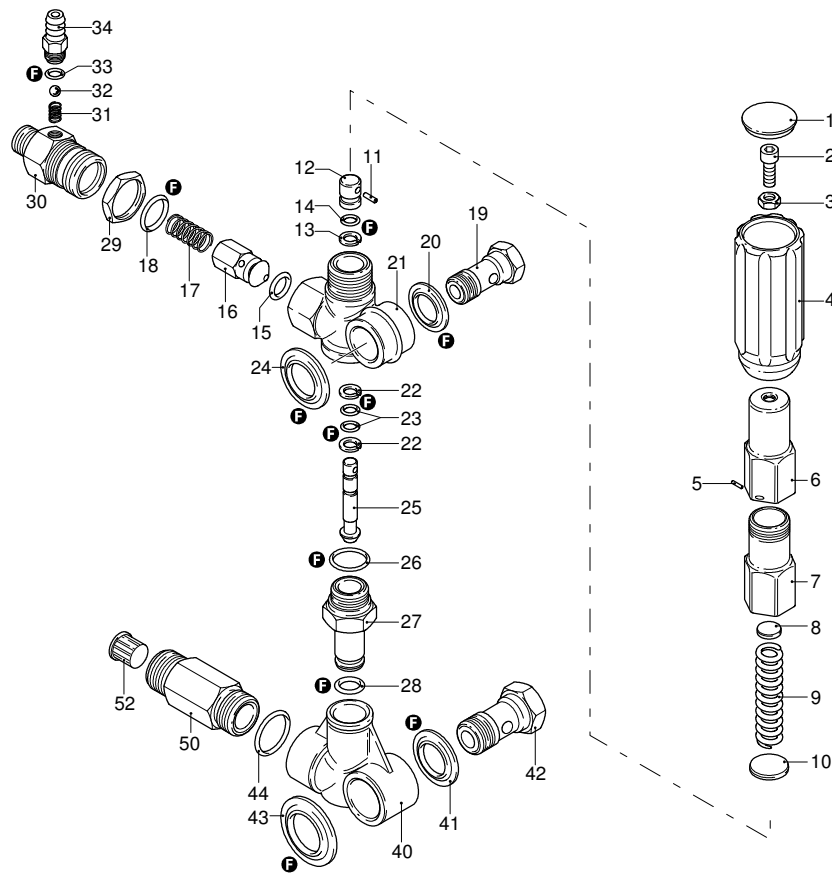
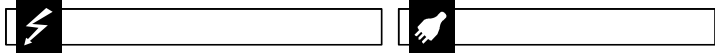
Model 840

Version:

Serial number:

Code: **22329**

08/02/2010



Validity	Pos.	Code	Description	Q
	1	1560580	Plug	1
	2	320360	Screw	1
	3	1660210	Nut	1
	4	1560400	Knob	1
	5	1080070	Pin	1
	6	1560420	Screw	1
	7	1560410	Guide	1
	8	1560440	Wobble plate	1
	9	1560350	Spring	1
	10	1080610	Wobble plate	1
	11	1080660	Pin	1
	12	1080540	Piston	1
	13	391000	O-ring	1
	14	1080640	Ring	1
	15	1560150	O-ring	1
	16	1560100	Shutter	1
	17	1560140	Spring	1
	18	180101	O-ring	1
	19	1540080	Screw	1
	20	1540110	Washer	1
	21	1560010	Valve body	1
	22	1080550	Ring	2
	23	480480	O-ring	2
	24	1560280	Washer	1
	25	1560320	Piston	1
	26	880270	O-ring	1
	27	1560051	Fitting	1
	28	390080	O-ring	1
	29	1560510	Nut	1
	30	1560530	Fitting	1
	31	1560520	Spring	1
	32	1250280	Ball	1
	33	480480	O-ring	1
	34	1560490	Hose tail	1
	40	1540020	Suction fitting	1
	41	1540120	Washer	1
	42	1540090	Screw	1
	43	1560290	Washer	1
	44	480440	O-ring	1
	50	1560880	Fitting	1
	51	40393	Fitting	1
	52	1340260	Filter	1
	53	22454	Complete valve	1
	F	2611	Gasket kit	1



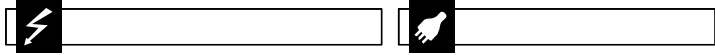
Model 840

Version:

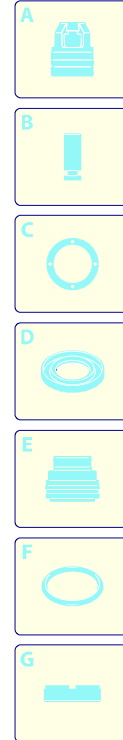
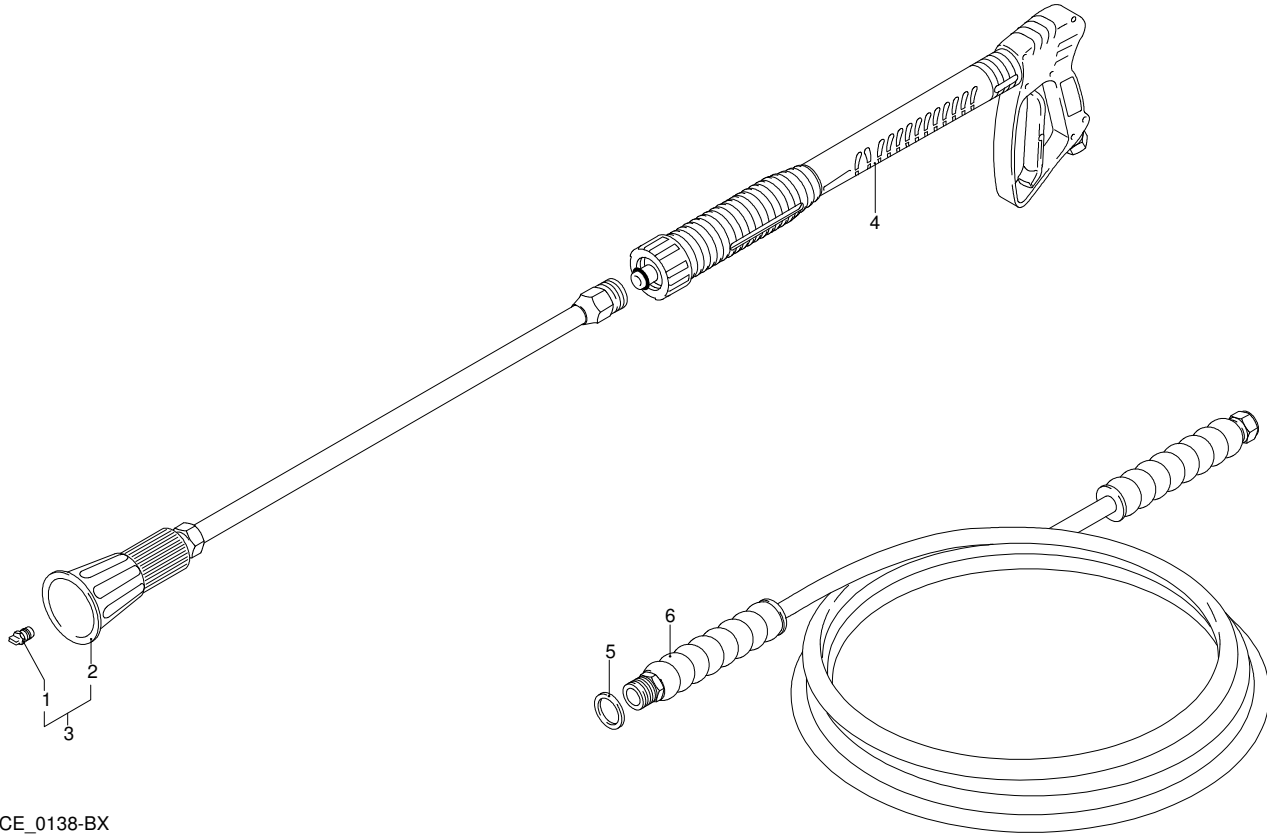
Serial number:

Code: **22329**

08/02/2010



Validity	Pos.	Code	Description	Q
	1	3082	Nozzle	1
	2	40541	Lance+lance head without nozzle	1
	3	40650	Lance+lance head	1
	4	40772	Gun	1
	5	1540110	Washer	1
	6	3119	High pressure hose	1



UN_CE_0138-BX